

## Thermal device circuit breaker - TCP 20/DC32V - 0700020

Please be informed that the data shown in this PDF Document is generated from our Online Catalog. Please find the complete data in the user's documentation. Our General Terms of Use for Downloads are valid (<http://phoenixcontact.com/download>)



Thermal device circuit breaker, number of positions: 1, nominal current: 20 A, nom. voltage: 32 V, width: 6 mm, fuse type: Slow-blow, fuse type: Automatic device, mounting type: on base element, Color: yellow

### Your advantages

- ✔ Compact design with precise nominal current levels
- ✔ A version with screw or spring-cage connection is used as a basic terminal block
- ✔ In the event of an error, the time-sensitive search for a suitable replacement fuse is eliminated thanks to the reclosure function
- ✔ Fits in all fuse holders designed for flat-type fuse inserts according to ISO 8820-3 (DIN 72581-3)
- ✔ The plug-in thermal miniature circuit-breaker combines the protective mechanism of an automotive flat-type fuse with the advantages of a circuit-breaker
- ✔ The area of application extends to the protection of integrated circuits in all battery and onboard systems with up to 32 V DC



### Key Commercial Data

|                                      |               |
|--------------------------------------|---------------|
| Packing unit                         | 50 pc         |
| GTIN                                 |               |
| GTIN                                 | 4046356079662 |
| Weight per Piece (excluding packing) | 4.000 g       |
| Custom tariff number                 | 85362010      |
| Country of origin                    | Germany       |

### Technical data

#### General

|                     |                 |
|---------------------|-----------------|
| Mounting type       | on base element |
| Color               | yellow          |
| Number of positions | 1               |
| Insulating material | PA              |

#### Electrical data

|      |           |
|------|-----------|
| Fuse | Slow-blow |
|------|-----------|

# Thermal device circuit breaker - TCP 20/DC32V - 0700020

## Technical data

### Electrical data

|   |                               |
|---|-------------------------------|
| Fuse type                                       | Automatic device              |
| Rated voltage                                   | 32 V DC                       |
| Rated current $I_N$                             | 20 A                          |
| Rated short-circuit switching capacity $I_{cn}$ | 150 A ( $\geq 3$ switch-offs) |
|   | 2000 A ( $\geq 1$ switch-off) |
|   | $\leq 50$ A (300 switch-offs) |

### Dimensions

|        |         |
|--------|---------|
| Height | 20.3 mm |
| Width  | 6 mm    |
| Depth  | 24 mm   |

### Ambient conditions

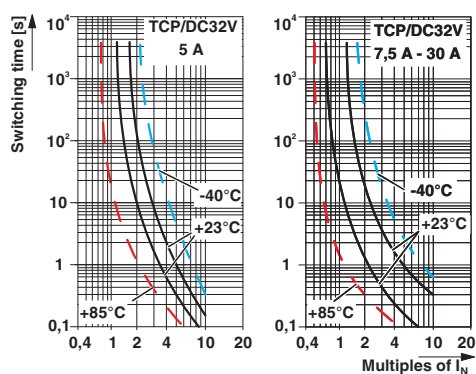
|                                 |                       |
|---------------------------------|-----------------------|
| Degree of protection            | IP30 (Actuation area) |
| Ambient temperature (operation) | -40 °C ... 85 °C      |

### Environmental Product Compliance

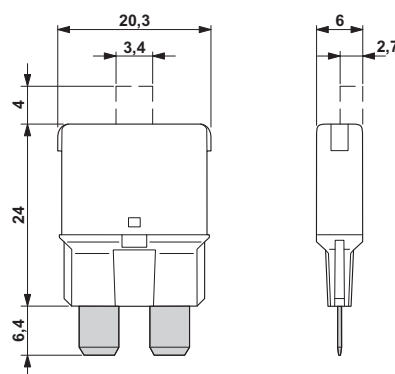
|            |   |
|------------|---|
| REACH SVHC | Lead 7439-92-1  |
| China RoHS | Environmentally friendly use period: unlimited = EFUP-e |
|            | No hazardous substances above threshold values          |

## Drawings

Diagram

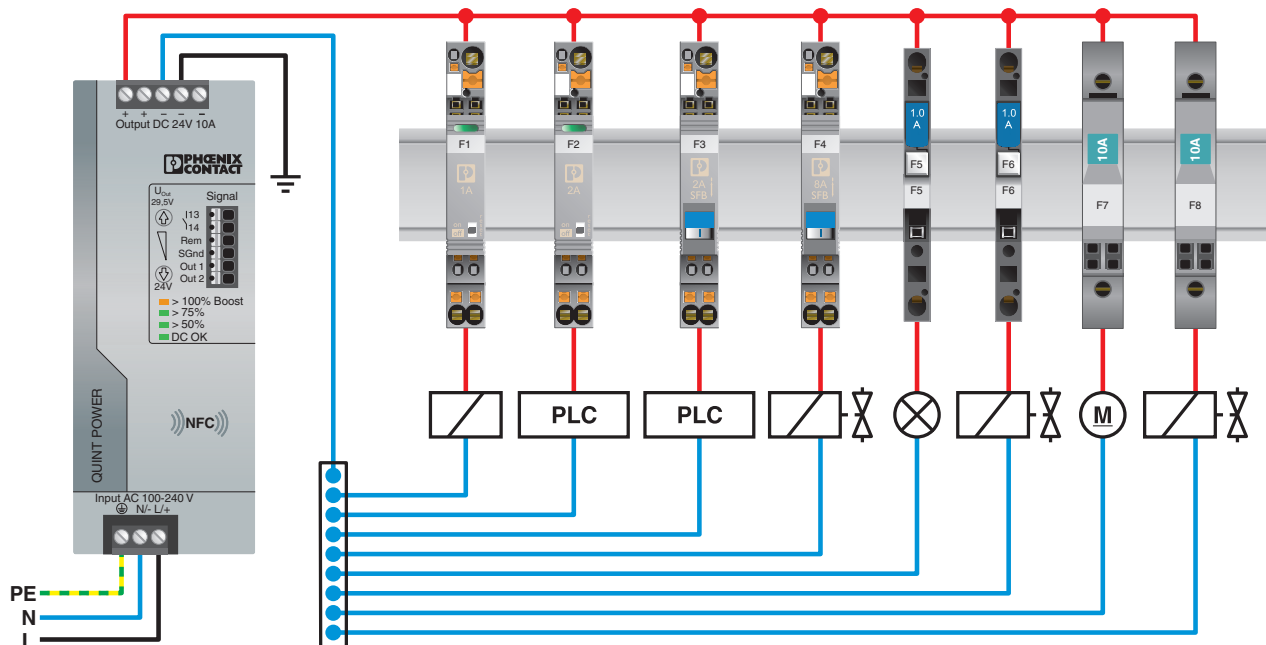


Dimensional drawing



# Thermal device circuit breaker - TCP 20/DC32V - 0700020

Application drawing



## Classifications

eCl@ss

|            |          |
|------------|----------|
| eCl@ss 4.0 | 27141116 |
| eCl@ss 4.1 | 27141116 |
| eCl@ss 5.0 | 27141116 |
| eCl@ss 5.1 | 27141100 |
| eCl@ss 6.0 | 27141100 |
| eCl@ss 7.0 | 27141116 |
| eCl@ss 8.0 | 27141116 |
| eCl@ss 9.0 | 27141116 |

ETIM

|          |          |
|----------|----------|
| ETIM 2.0 | EC000899 |
| ETIM 3.0 | EC000899 |
| ETIM 4.0 | EC000899 |
| ETIM 5.0 | EC000899 |
| ETIM 6.0 | EC000899 |

# Thermal device circuit breaker - TCP 20/DC32V - 0700020

## Classifications

### UNSPSC

|               |          |
|---------------|----------|
| UNSPSC 6.01   | 30211812 |
| UNSPSC 7.0901 | 39121411 |
| UNSPSC 11     | 39121411 |
| UNSPSC 12.01  | 39121411 |
| UNSPSC 13.2   | 39121410 |

## Approvals

### Approvals

---

Approvals

EAC / EAC

---

Ex Approvals

---

### Approval details

|     |  |               |
|-----|--|---------------|
| EAC |  | EAC-Zulassung |
|-----|--|---------------|

|     |  |                         |
|-----|--|-------------------------|
| EAC |  | RU C-<br>DE.A*30.B01546 |
|-----|--|-------------------------|

## Accessories

### Additional products

Fuse modular terminal block - ST 4-FSI/C - 3036372



Fuse modular terminal block, fuse type: Flat, connection method: Spring-cage connection, cross section: 0.08 mm<sup>2</sup>-6 mm<sup>2</sup>, AWG: 28 - 10, nominal current: 30 A, nom. voltage: 400 V, width: 8.2 mm, fuse type: C, mounting type: NS 35/7,5, NS 35/15, color: black

## Thermal device circuit breaker - TCP 20/DC32V - 0700020

### Accessories

Fuse modular terminal block - ST 4-FSI/C-LED 12 - 3036495



Fuse terminal block with LED for mounting on NS 35, for miniature circuit breakers, terminal width: 8.2 mm, color: Black

---

Fuse modular terminal block - ST 4-FSI/C-LED 24 - 3036505



Fuse terminal block with LED for mounting on NS 35, for miniature circuit breakers, terminal width: 8.2 mm, color: Black

---

Fuse modular terminal block - UK 6-FSI/C - 3118203



Flat-type fuse terminal block, cross section: 0.2 - 6 mm<sup>2</sup>, AWG: 26 - 8, width: 8.2 mm, color: black

---

Fuse modular terminal block - UK 6-FSI/C-LED12 - 3001925



Flat-type fuse terminal block, cross section: 0.2 - 6 mm<sup>2</sup>, AWG: 26 - 8, width: 8.2 mm, color: black, with light indicator, voltage light indicator: 12 V DC, current light indicator: 2 mA

---

Fuse modular terminal block - UK 6-FSI/C-LED24 - 3001938



Flat-type fuse terminal block, cross section: 0.2 - 6 mm<sup>2</sup>, AWG: 26 - 8, width: 8.2 mm, color: black, with light indicator, voltage light indicator: 24 V DC, current light indicator: 2 mA

---

## Thermal device circuit breaker - TCP 20/DC32V - 0700020

### Accessories

Fuse modular terminal block - PT 6-FSI/C - 3212166



Fuse modular terminal block, fuse type: Flat, connection method: Push-in connection, cross section: 0.5 mm<sup>2</sup>- 10 mm<sup>2</sup>, AWG: 20 - 8, nominal current: 25 A, nom. voltage: 400 V, width: 8.2 mm, fuse type: C, mounting type: NS 35/7,5, NS 35/15, color: black

Fuse modular terminal block - PT 6-FSI/C-LED 12 - 3212169



Fuse modular terminal block, fuse type: Flat, connection method: Push-in connection, cross section: 0.5 mm<sup>2</sup>- 10 mm<sup>2</sup>, AWG: 20 - 8, nominal current: 25 A, nom. voltage: 12 V, width: 8.2 mm, fuse type: C, mounting type: NS 35/7,5, NS 35/15, color: black

Fuse modular terminal block - PT 6-FSI/C-LED 24 - 3212172



Fuse modular terminal block, fuse type: Flat, connection method: Push-in connection, cross section: 0.5 mm<sup>2</sup>- 10 mm<sup>2</sup>, AWG: 20 - 8, nominal current: 25 A, nom. voltage: 24 V, width: 8.2 mm, fuse type: C, mounting type: NS 35/7,5, NS 35/15, color: black