



Interchangeable Viewfinder Lens

4.58° Fan Angle

Product Overview

The Viewfinder lens from Global Laser is designed to be a simple interchangeable optic that can be screwed on and off the front of any of our M9 threaded laser modules with a suitable collimator (see table below). This allows the user to quickly and efficiently change a dot output laser module to a Viewfinder which is suitable for a wide range of applications including alignment, positioning and machine vision. The Viewfinder lens consists of a diffractive optical element element fitted within an 11mm diameter lens holder.

The lens produces a Viewfinder with typical full fan angle of 4.58°. Diffractive optical elements (DOE) split a single gaussian input beam into projections consisting of many gaussian beams. Due to the large number of beams in the patterns the intensity is often uniform in the length at shorter working distances, however due to the effects of divergence the uniformity levels will decrease over longer working distance. The intensity distribution in the width is gaussian.

Global Laser Part Number	RS Part Number	Description
1951-01-000	RS697-3513	Red Laser Alignment Kit
1956-01-000	RS127-1568	Gated Cameo Laser Development Kit
3117-12-000	RS127-1572	LaserLyte-Flex 635nm 1mW Dot
3117-10-000	RS697-3557	LaserLyte Flex 635nm 5mW Dot
3117-11-000	RS127-1571	LaserLyte-Flex 635nm 10mW Dot
3118-03-000	RS2107356	LaserLyte-Flex 515nm 1mW Dot
3118-04-000	RS2107357	LaserLyte-Flex 515nm 5mW Dot
3118-05-000	RS2107358	LaserLyte-Flex 515nm 10mW Dot
1266-26-000	RS2107345	Gated Cameo 635nm 0.8mW A Lens
1266-27-000	RS2107346	Gated Cameo 635nm 2.8mW A Lens

Specification

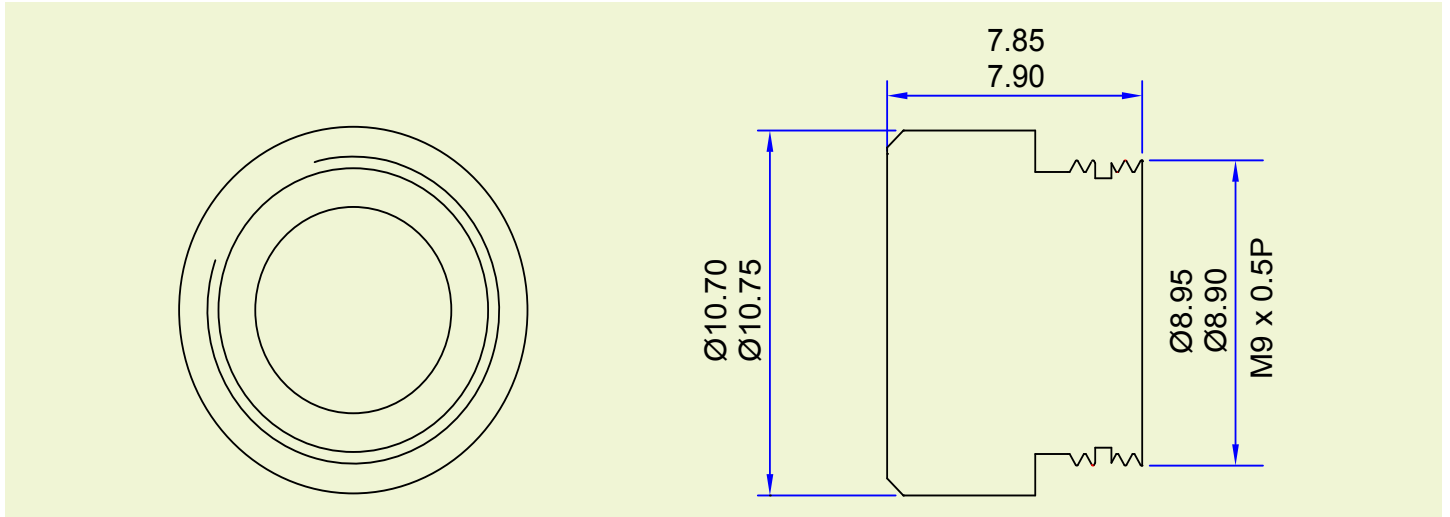
Optical Information	
Output Example Picture	
Lens Material	Acrylic
Lens Type	DOE
Exit Aperture	5mm
A/R Coated	No
Typical Input Beam Size	5 x 1.5mm
Typical Fan Angle (650nm)	4.58°



Interchangeable Viewfinder Lens 4.58° Fan Angle

Mechanical Dimensions

Interchangeable Viewfinder Lens (4.58° Fan Angle)



Please Note: Global Laser reserve the right to change descriptions and specifications without notice.



T: +44 (0)1495 212213
F: +44 (0)1495 214004
E: sales@globallasertech.com
www.globallasertech.com

Global Laser Ltd
Unit 9-10
Roseheyworth Business Park
Abertillery, Gwent NP13 1SP UK