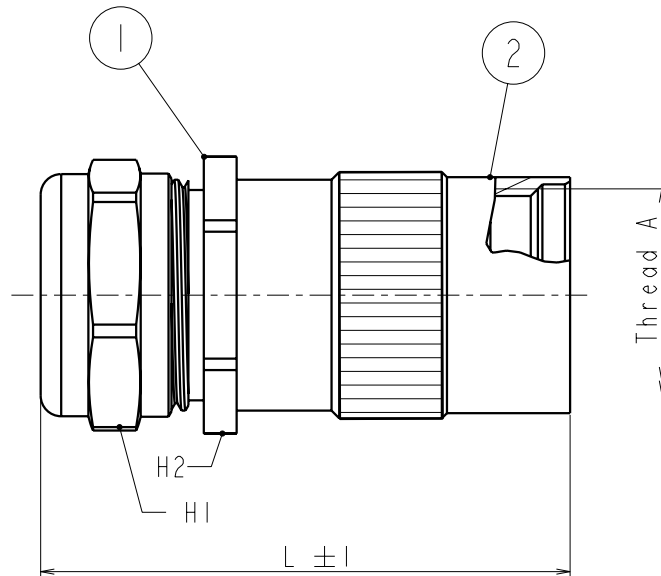


Reference	∅ ISO	L (mm)	H1 (mm)	H2 (mm)	Clamping range min/max	Torque (Nm) on the hood	Torque (Nm) on the body	Thread A
UTO10JCS	M16	48.5	14	17	03/06	5	6	9/16-24 UNEF Class 2A
UTO10JCSL	M16	48.5	17	17	05/08	5	6	9/16-24 UNEF Class 2A
UTO12JCS	M20	48.5	20	22	06/10	8	10	11/16-24 UNEF Class 2A
UTO12JCSL	M20	49.5	22	22	08/12	8	10	11/16-24 UNEF Class 2A
UTO14JCS	M20	53.5	20	22	06/10	8	10	13/16-20 UNEF Class 2A
UTO14JCSL	M20	54.5	22	22	08/12	8	10	13/16-20 UNEF Class 2A
UTO16JCS	M25	62.5	24	26	9.5/14	12	14	15/16-20 UNEF Class 2A
UTO16JCSL	M25	68.5	30	30	11.5/18	12	14	15/16-20 UNEF Class 2A
UTO18JCS	M25	65.5	24	26	9.5/14	12	14	1" 1/16-18 UNEF Class 2A
UTO18JCSL	M25	71.5	30	30	11.5/18	12	14	1" 1/16-18 UNEF Class 2A
UTO20JCS	M32	70.5	30	33	11.5/18	20	24	1" 3/16-18 UNEF Class 2A
UTO20JCSL	M32	77.5	40	40	15/24	20	24	1" 3/16-18 UNEF Class 2A
UTO22JCS	M32	76.5	30	33	11.5/18	20	24	1" 5/16-18 UNEF Class 2A
UTO22JCSL	M32	83.5	40	40	15/24	20	24	1" 5/16-18 UNEF Class 2A
UTO24JCS	M32	82.0	30	33	11.5/18	20	24	1" 7/16-18 UNEF Class 2A
UTO24JCSL	M32	89.0	40	40	15/24	20	24	1" 7/16-18 UNEF Class 2A



MATERIAL :

Cable clamp: Brass nickel plated
 Tube: Brass nickel plated

PERFORMANCE CHARACTERISTICS :

Operating temperature: -40°C up to 105°C
 Corrosion salt spray: 96 hours

A	07/06/04	--	Creation of the drawing	--
ISS	DATE	Latest modification - by:	--	MOD N°
Designed by: C. PROVOST		Date: 07/06/04	Type of drawing: ASSEMBLAGE	
Checked by: SEE DISTRIBUTION LIST		Date: SEE DISTRIBUTION LIST		
TITLE		Connector UTO et UTOW Kit cable clamp with tube		
Scale	General angular	MATERIAL : --		
3/1	Tolerances: ± --			
General linear	General machining	Geometrical Tolerances	PROJECT	MSK1
	Tolerances: ± --			
		SOURIAU Route Nationale 23 72470 CHAMPAGNE Tel. (33)02.43.54.35.00		This document is the property of SOURIAU It must not be reproduced or communicated without permission
FORMAT	SOURIAU DRG N°			SHEET
A2	UTOXXJCS-C02			1 / 1

Mouser Electronics

Authorized Distributor

Click to View Pricing, Inventory, Delivery & Lifecycle Information:

[Souriau:](#)

[UT010JCSL](#) [UT016JCS](#) [UT020JCS](#) [UT010JCS](#) [UT012JCS](#) [UT022JCS](#) [UT014JCS](#) [UT024JCS](#) [UT016JCSL](#)
[UT014JCSL](#) [UT018JCSL](#) [UT022JCSL](#) [UT020JCSL](#) [UT024JCSL](#) [UT018JCS](#)