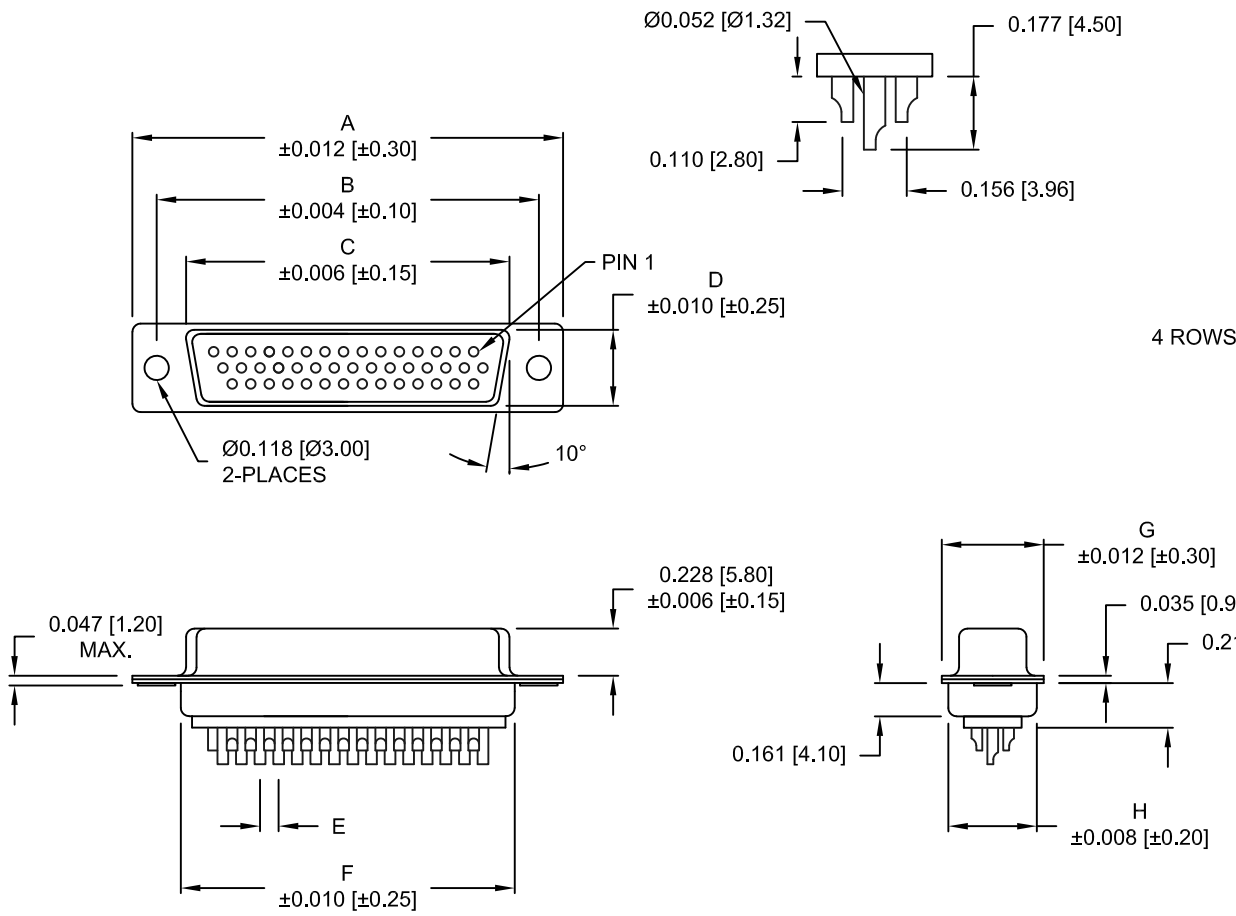


DESCRIPTION: HIGH DENSITY FEMALE - SOLDER CUP



No. OF PINS	DIMENSIONS							
	A	B	C	D	E	F	G	H
15	1.213	0.984	0.643	0.311	0.090	0.756	0.496	0.429
	30.80	24.99	16.34	7.90	2.29	19.20	12.60	10.90
26	1.541	1.312	0.966	0.311	0.090	1.091	0.496	0.429
	39.15	33.32	24.53	7.90	2.29	27.70	12.60	10.90
44	2.087	1.852	1.512	0.311	0.090	1.618	0.496	0.429
	53.00	47.04	38.40	7.90	2.29	41.10	12.60	10.90
62	2.728	2.500	2.156	0.311	0.095	2.256	0.496	0.429
	69.30	63.50	54.76	7.90	2.41	57.30	12.60	10.90
78	2.638	2.406	2.057	0.429	0.095	2.169	0.606	0.526
	67.00	61.10	52.26	10.90	2.41	55.10	15.40	13.35

4 ROWS

180-YYY-20YLYY1

SERIES  
POSITIONS  
015  
026  
044  
062  
078  
GENDER  
2 = FEMALE  
TERMINATION  
0 = SOLDER CUP  
SHELL PLATING  
2 = TIN  
3 = NICKEL  
RoHS COMPLIANT (230°C)  
HARDWARE OPTIONS  
00 = NO HARDWARE  
01 = .098" CLINCH NUT (SOLDER SIDE)  
02 = .236" CLINCH NUT (SOLDER SIDE)  
03 = .236" CLINCH NUT (MATING SIDE)  
PLATING OPTIONS  
1 = GOLD FLASH  
2 = 30u" GOLD MATING AREA; GF ON TAILS

**MATERIAL:**


SHELL: STEEL, TIN OR NICKEL PLATED  
INSULATOR: PBT +30% FIBER-GLASS // UL 94V-O RATED  
CONTACT: BRASS, GOLD PLATED OVER NICKEL

**ELECTRICAL:**

CURRENT RATING: 5 AMPS  
CONTACT RESISTANCE: 15 mOhms Max.  
INSULATION RESISTANCE: 1,000 MOhms min.  
VOLTAGE: 500VAC FOR 1 MINUTE  
TEMPERATURE: -50° C TO 100° C

NOTE: WILL ACCEPT UP TO 24 AWG WIRE

UNITS = inch [mm] DO NOT SCALE FROM DRAWING

	THESE DRAWINGS AND SPECIFICATIONS ARE THE PROPERTY OF NorComp AND SHALL NOT BE REPRODUCED, COPIED OR USED AS THE BASIS FOR THE MANUFACTURE OF SALE OF APPARATUS WITHOUT WRITTEN PERMISSION.	DRAWN: PAM JENKINS	DATE: 08-12-98
		SCALE: NTS	SHEET 1 OF 2
<h1>NorComp</h1>		DWG NO. 180-YYY-20YLYY1	

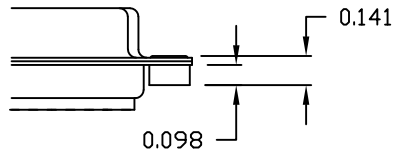
RoHS COMPLIANT

DESCRIPTION: CLINCH NUT HARDWARE

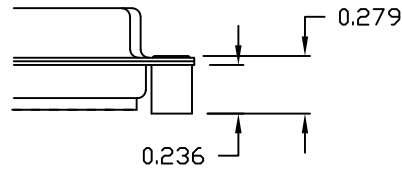
TOLERANCE:  
ALL DIMENSIONS ARE  $\pm 0.010$

ALL CLINCH-NUTS ARE 4-40 INTERNAL THREADS

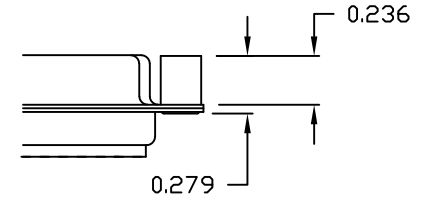
01X ..... 0.098" (SOLDER SIDE)



02X ..... 0.236" (SOLDER SIDE)



03X..... 0.236" (MATING SIDE)



UNITS = inch

DO NOT SCALE FROM DRAWING



THESE DRAWINGS AND SPECIFICATIONS ARE THE PROPERTY OF NorComp AND SHALL NOT BE REPRODUCED, COPIED OR USED AS THE BASIS FOR THE MANUFACTURE OF SALE OF APPARATUS WITHOUT WRITTEN PERMISSION.

DRAWN:  
PAM JENKINS

DATE:  
08-12-98

**NorComp**

SCALE: NTS SHEET 2 OF 2 REV 11

DWG NO. 180-YYY-20YLYY1

RoHS COMPLIANT

# Mouser Electronics

Authorized Distributor

Click to View Pricing, Inventory, Delivery & Lifecycle Information:

## NorComp:

[180-015-203L011](#) [180-015-203L021](#) [180-015-203L031](#) [180-026-203L011](#) [180-026-203L021](#) [180-026-203L031](#)  
[180-044-203L011](#) [180-044-203L021](#) [180-044-203L031](#) [180-062-203L011](#) [180-062-203L021](#) [180-062-203L031](#) [180-](#)  
[078-203L011](#) [180-078-203L021](#) [180-078-203L031](#) [180-062-203L001](#) [180-026-203L001](#) [180-078-203L001](#) [180-044-](#)  
[203L001](#) [180-015-203L001](#) [180-015-202L001](#) [180-015-202L021](#) [180-026-202L001](#) [180-026-202L011](#) [180-026-](#)  
[202L021](#) [180-026-202L031](#) [180-044-202L001](#) [180-062-202L001](#) [180-078-202L001](#) [180-078-202L021](#)