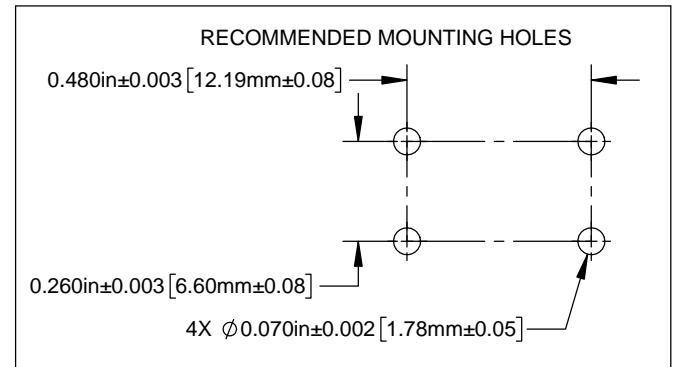
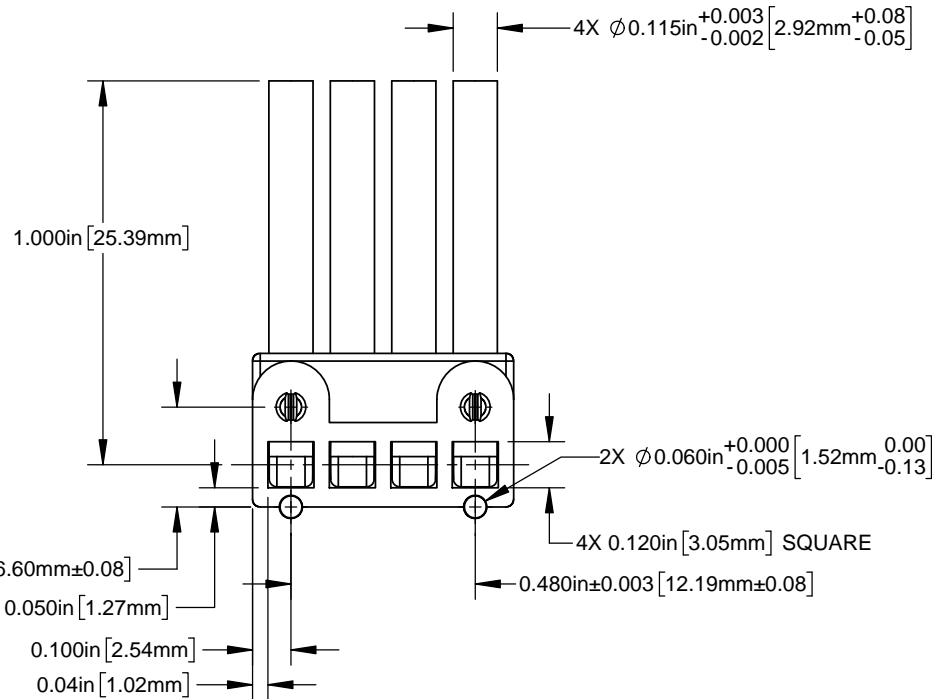
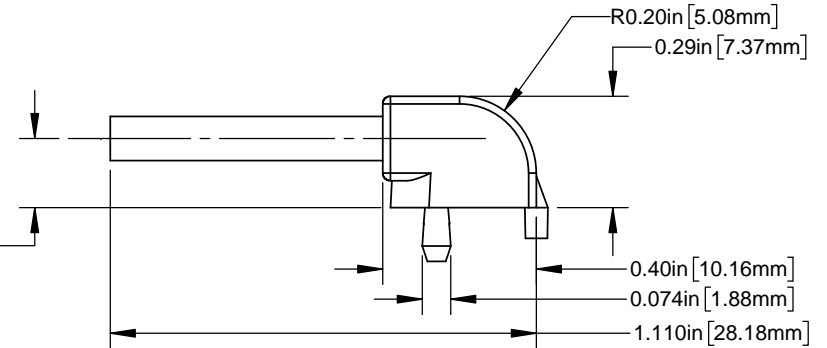
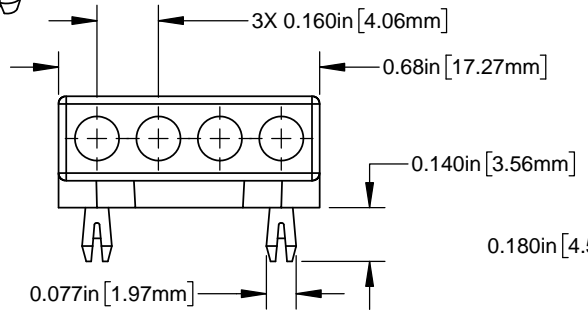
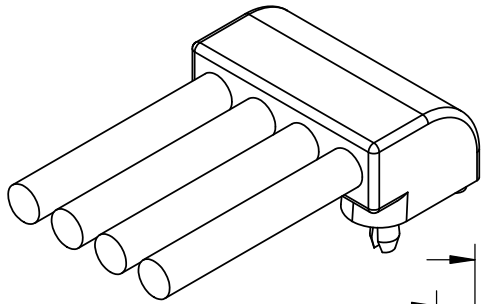


NOTES:

1. GENERAL SPECIFICATIONS: BIVAR MOLDED COMPONENTS SPECIFICATIONS: BV00-E101.
2. MATERIAL: LIGHT PIPE - POLYCARBONATE, 94V-0, CLEAR AND MOUNTING BASE - NYLON 66, 94V-0, BLACK.

| REVISIONS |                     |           |          |
|-----------|---------------------|-----------|----------|
| REV.      | DESCRIPTION         | DATE      | APPROVED |
| A         | Engineering Release | 3/19/2019 | G.O.     |



|  |         |  |                   |
|--|---------|--|-------------------|
| STANDARD TOLERANCE<br>(UNLESS OTHERWISE SPECIFIED) |         | <br>4 THOMAS, IRVINE, CA. 92618<br>TEL: (949) 951-8808 FAX: (949) 951-3974 |                   |
| DECIMALS   | ANGULAR |  |                   |
| .X ±.1   | X° ± 1° | TITLE:<br>BLS ARRAY, ANGLED, 3mm   |                   |
| .XX ±.01   |         | DESIGNED:<br>K. BARON  | DATE:<br>03/19/19 |
| .XXX ±.005   |         | REVISION:<br>A   | REVISION:<br>A    |
|  |         | REVISOR:<br>N/A  | DATE:<br>N/A      |
|  |         | CHECKED:<br>TD. NGUYEN   | DATE:<br>03/19/19 |
|  |         | PART NO:<br>LPAR3-160-1000F-1-4  | REVISION:<br>A    |
|  |         | CAGE CODE:<br>32559  |                   |
|  |         | SCALE: 2:1   | SHEET # 1 OF 1    |
| CAD GENERATED DOCUMENT, DO NOT MEASURE DRAWING     |         |  |                   |

# Mouser Electronics

Authorized Distributor

Click to View Pricing, Inventory, Delivery & Lifecycle Information:

BIVAR:

[LPAR3-160-1000F-1-4](#)