

| PARAMETER | VALUE |
|---------------------|--|
| OUTPUT VOLTAGE | 70V Pk-Pk MIN |
| COIL RESISTANCE | 200 OHMS MAX |
| INDUCTANCE | 85 mH MAX @ 1KHz |
| DIELECTRIC STRENGTH | 500V RMS AT 60HZ FOR 1 MIN MAX NOT TO EXCEED 100V PER SECOND |
| LEAKAGE RESISTANCE | 100 MEGOHMS MINIMUM |
| TEMPERATURE LIMITS | -100°F TO +225°F |
| CUSTOMER DWG NO | 1680-622 |

SPECIFICATION DATA

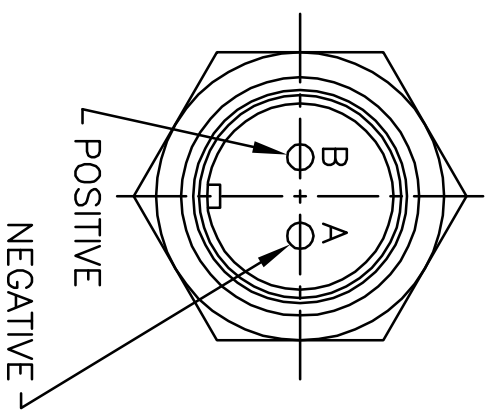
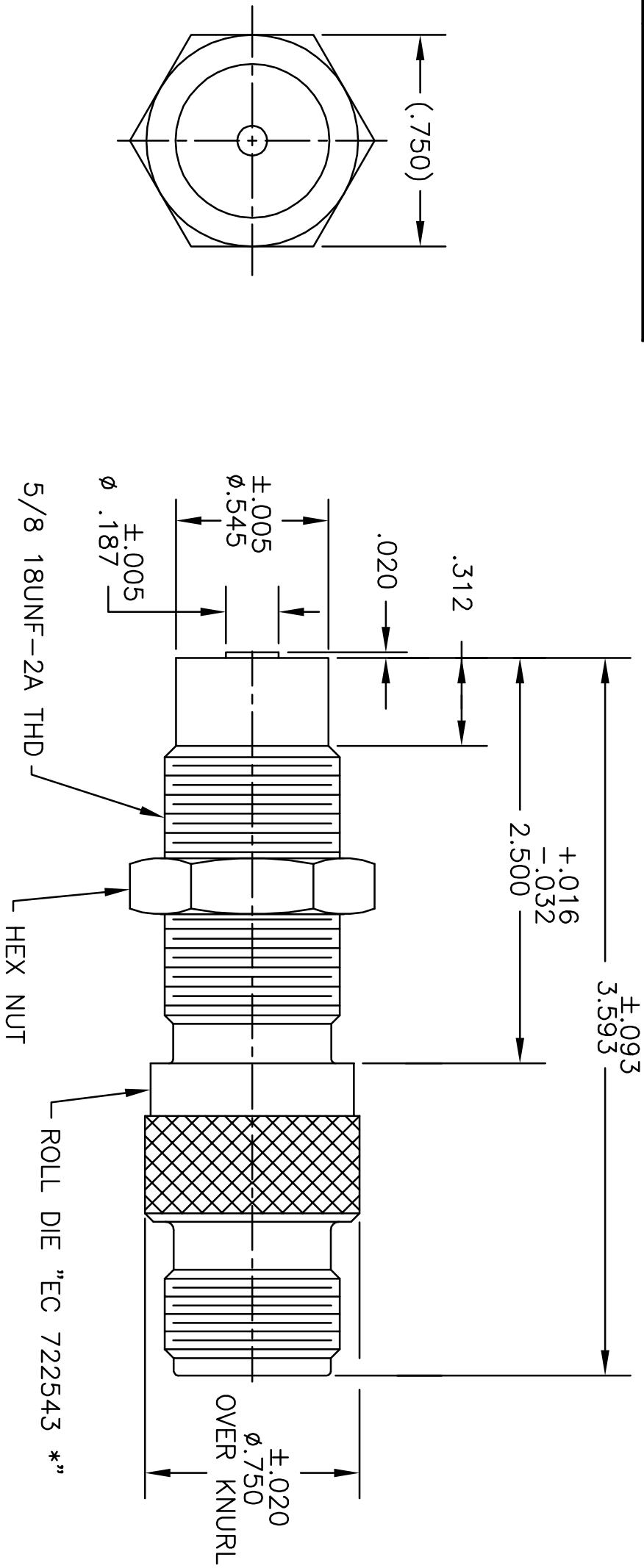
NOTES:

- 1) TESTED AT 1000 I.P.S. WITH AN 8 PITCH GEAR AT .005 INCH CLEARANCE AND A LOAD OF 100K OHMS.
- 2) SEE PRODUCTION PRINT FOR APPLICABLE REVISION LETTER *.
- 3) CUSTOMER: WOODWARD GOVERNOR
- 4) POLARITY: WHEN FERROUS METAL IS INTRODUCED INTO MAGNETIC FIELD, PIN "B" WILL BE POSITIVE WITH RESPECT TO PIN "A".
- 5) CONNECTOR MATES WITH MS 3106A-10SL-4S
- 6) 100% TEST INDUCTANCE AND/OR OUTPUT IF ANY FAILURES ARE FOUND IN EITHER CHARACTERISTIC.

MODEL DWG. NO. 722543 SH 1 REV J

REVISIONS

| REV. | DESCRIPTION | DATE | APPROVAL |
|------|------------------------|---------|----------|
| J1 | REDRAWN WITHOUT CHANGE | 8/11/99 | |



THIS IS A COMPUTER GENERATED DRAWING. MANUAL REVISIONS WILL NOT BE RECORDED.

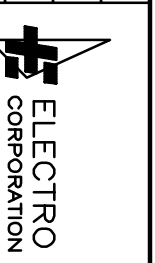
UNLESS OTHERWISE SPECIFIED DIMENSIONS ARE IN INCHES
 .XXX DECIMAL ± .010
 .XX DECIMAL ± .03
 FRACTIONS ± 1/32
 ANGLES ± 5'
 ROUNDT .008 FIN
 129/RMS OR BETTER ON MACHINED PARTS.
 BREAK SHARP CORNERS .005/.015 NO BURRS

DO NOT SCALE DRAWING
 THIS DOCUMENT IS THE PROPERTY OF ELECTRO CORPORATION AND MAY NOT BE REPRODUCED EITHER IN FULL OR IN PART WITHOUT WRITTEN APPROVAL BY ELECTRO CORPORATION.

MATERIAL: SHELL: NON-MAGNETIC SSTL

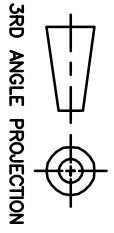
DRAWN PURDY 10/23/84
 CHKD. DT 11/17/84
 ENGR. RAB 12/12/84
 MFG. —
 Q.C. EMT 12/12/84

SIZE F30M NO. B 81692
 SCALE 2:1
 DRAWING INTERPRETATION PER ANSI Y14.5M-1982



TITLE
 MAGNETIC SENSOR

MODEL DWG. NO. 722543
 SHEET 1 OF 1
 REV J



3RD ANGLE PROJECTION

UNCONTROLLED COPY. REVISIONS WILL NOT BE AUTOMATICALLY UPDATED. CONFIRM APPROPRIATE REVISION LEVEL WITH ELECTRO CORPORATION.

Mouser Electronics

Authorized Distributor

Click to View Pricing, Inventory, Delivery & Lifecycle Information:

[Honeywell:](#)

[722543](#)