

Lintra[®] Plus

Pneumatic Rodless Cylinders



CONTENTS

Introduction	02
Lintra® Plus Reliable, Durable & Proven	03
Reputation Plus	05
Versatility Plus	06
The Lintra® Plus Range	08
Lintra® Plus	10
Other Lintra® Rodless Cylinders	12
Cylinder Mounting and Accessories	14

Breakthrough Engineering for a Better World

Norgren is part of global engineering organisation IMI plc. IMI is at the forefront of delivering the solutions we need in a changing world and is focused on **creating tremendous value by solving key industry problems in attractive markets and employing the best.**


Norgren has a proud history of creating innovative engineering solutions in precise motion control and fluid technology, and we collaborate with our customers across more than 50 countries in critical areas such as Factory Automation, Material Handling, Rail, Energy, Process Control, Life Science and Commercial Vehicles.

From improving speed, productivity, reliability and efficiency of equipment, to generating significant energy and cost savings, or lowering total cost of ownership across many industries, Norgren's high-quality solutions are designed to help customers pursue progress, achieve new goals and overcome problems.

With market-leading industry expertise, we offer the capability, resources, engineering intelligence and global support infrastructure to tackle the largest project demands.

Our world-class portfolio of fluid and motion control products include Norgren, Buschjost, FAS, Herion, Kloehn, Maxseal and Thompson Valves. Supplied either individually or combined into powerful customised solutions to meet customer needs.

Breakthrough engineering you can count on.



**User friendly
sealing strip**

Lintra® Plus Reliable, Durable & Proven

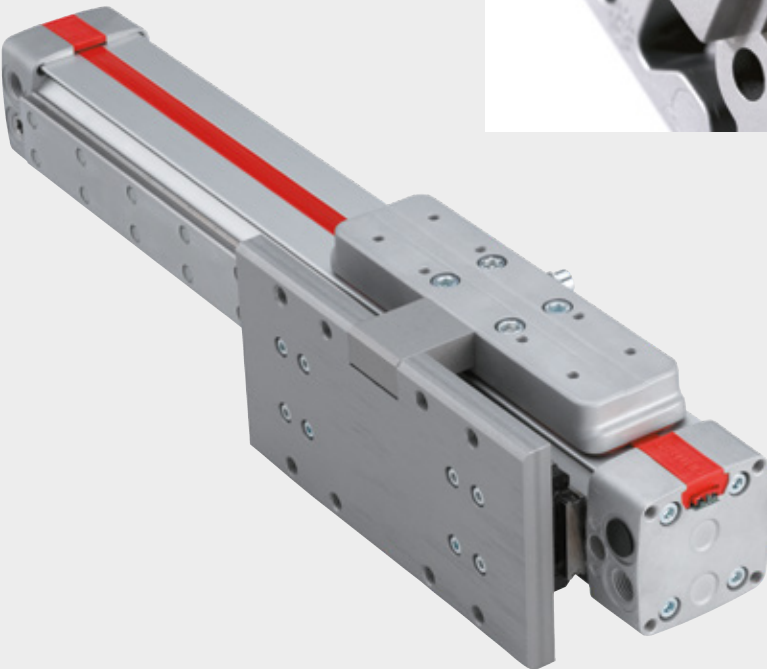
The Lintra® Plus range is one of the widest and most comprehensive rodless cylinder ranges available. It's design is unique, with integrated guides housed in the main extrusion, user-friendly sealing strips and slots to take the standard Norgren M/50 series switch.

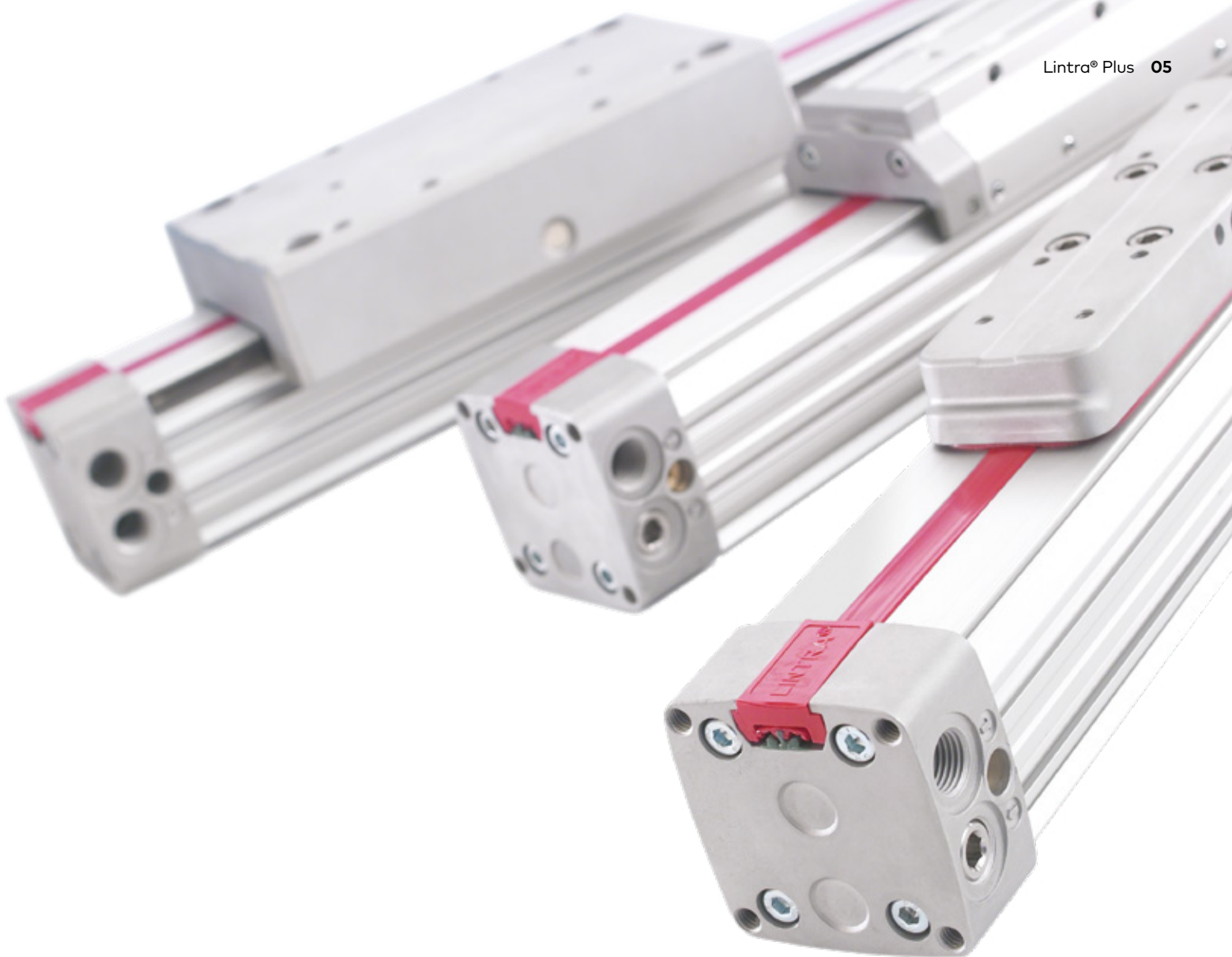
- » Four basic versions
- » Quality, long-life sealing system
- » Improved version with lower weight, greater load capacity, improved end caps and carriage design
- » Complies with ATEX requirements

Twin ported
end cap



High strength
light weight





Reputation Plus

Lintra® Plus combines all the features you have come to expect with Norgren's existing Lintra® series:

Plus - Higher load capacity from improved piston design

Plus - Lower static and dynamic friction levels

Plus - Universal mounting grooves on profile

Plus - Single ended and alternative porting options

Plus - Improved dust protection across the whole range

Rodless Lintra® cylinders are suitable for use in a wide variety of industry sectors. The cost-effective Lintra® Plus provides the machine design engineer with a high degree of versatility and flexibility due to its alternative guiding systems.

Utilised in numerous mechanical engineering applications, such as:

- » Lifting/Lowering
- » Feeding/Guiding
- » Pick & Place
- » Sorting
- » Filling
- » Spraying
- » Cutting

Lintra® Plus is ideal for inclusion in these sectors:

- » Automotive
- » Material Handling
- » Machine Tool
- » Paper & Packaging
- » Wood Processing
- » Textiles
- » Food Processing & Packaging



Find out more
norgren.com

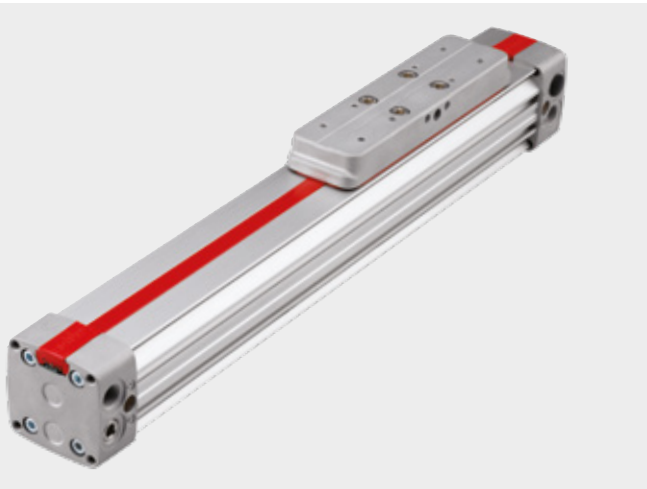
Versatility Plus

The Lintra® Plus offers a standardised series, capable of carrying medium to heavy loads or simply transmitting motion to a machine function for maximum design versatility.

The series has four variants.

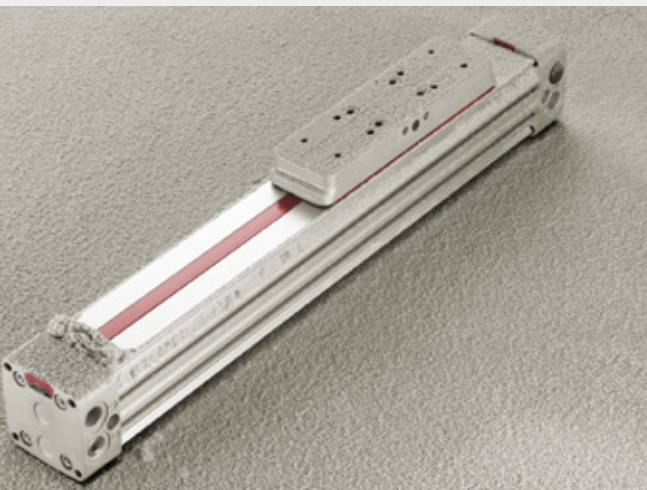
All versions feature integral pneumatic cushioning, large enough to deal with most applications.

Add external shock absorbers for extreme conditions.



Integration Plus

Weight-saving aluminium profile can be directly integrated into your machine. Universal mounting grooves enables direct mounting of the Lintra® Plus onto proprietary machine building systems and simple attachment of many other components or accessories.



Durability Plus

Polyurethane piston seals and precision extruded aluminium profile mean that the new Lintra® Plus offers long life. New wiper seal and cover strip design on all guide system options prevent dirt ingress.



Interchangeability Plus

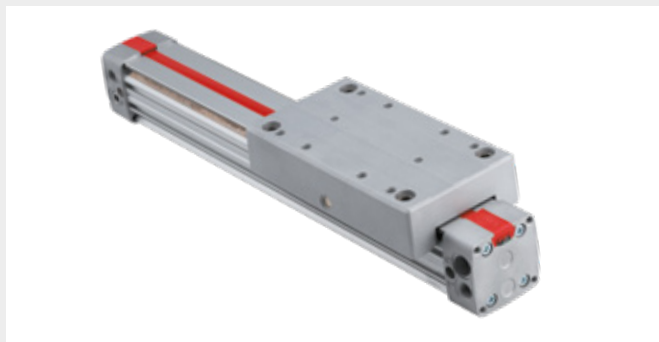
Lintra® Plus is fully interchangeable with the long established Norgren Lintra® enabling you to replace existing Lintra® cylinders with Lintra® Plus without the need for any machine modifications.



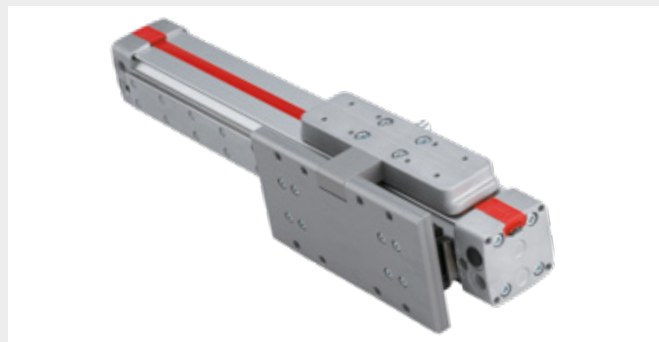
M/146000
Internal guiding



M/146100
External guiding



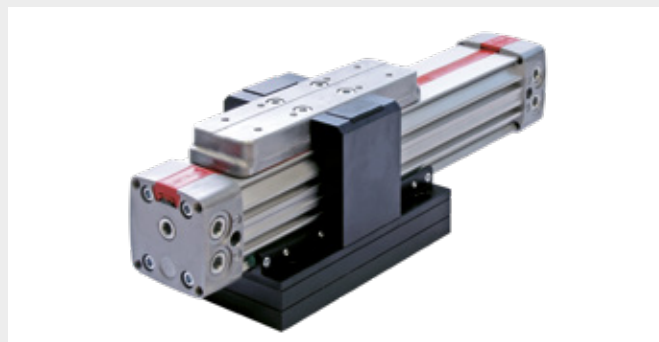
M/146200
Precision roller guiding



M/146200/P
Precision caged ball linear motion guiding



M/146100/L1 & L3
with activer holding brake



M/146100/L2 & L4
with passive holding brake



M/146000/F1
with linear position sensor



VM/146000
corrosion-resistant



The Lintra® Plus Range

M/146000

Internal guiding

Basic cylinder with internal guiding for light to medium loads

- » Closer mechanism reduces friction for smoother movement
- » Wiper seal and cover strip design provides dust protection as standard
- » Piston design provides 10% higher load capacity than the existing Lintra®

M/146100

External adjustable guiding

Based on the internal guide Lintra® Plus, this variant offers...

- » Polyethylene bearings to offer increased load capacity
- » Pre-set and ready to use external guiding
- » Universal mounting grooves and location holes on the guiding bridge

M/146200

Precision roller guiding

Based on the internal guide Lintra® Plus, this variant offers...

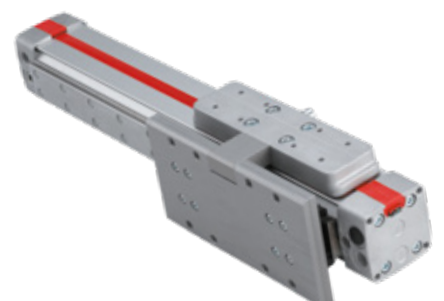
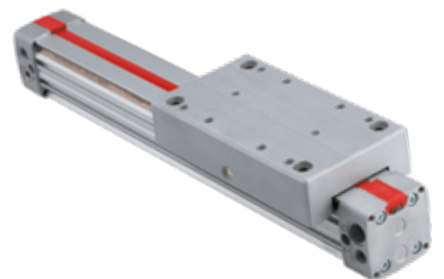
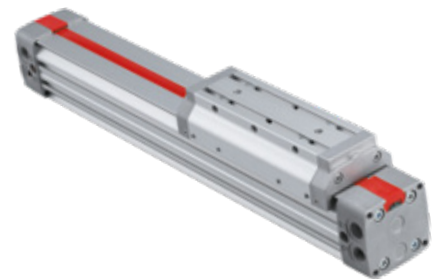
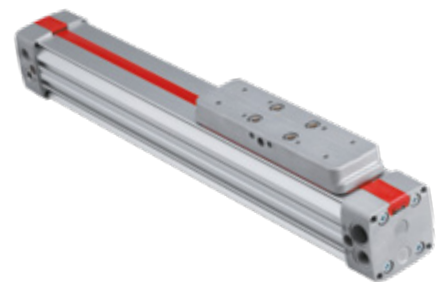
- » Precision roller guides for medium to high loads
- » Hardened steel V-rails embedded in the Lintra® Plus profile for smooth and precise motion
- » Location holes on the guiding bridge

M/146200/P

Precision caged ball linear motion guiding

Based on the internal guide Lintra® Plus, this variant offers...

- » A bolt-on guiding system for greater accuracy and higher loads
- » Flexible mounting kit allows integration of customers preferred guiding system
- » Rail system specially dust protected and lubricated



Technical Data

Medium: Compressed air, filtered, lubricated or non-lubricated

Operating Pressure: 1 to 8 bar

Operating Temperature: -30°C to +80°C max.
(Consult our Technical Service for use below +2°C)

Cylinder Diameter: 16, 20, 25, 32, 40, 50, 63, 80 mm

Speed: Up to 2m/s; Special variants for low or high speed on request

Strokes: Made to order

Maximum Strokes Standard: Ø 16 to 40 mm = 8500 mm
Ø 50 and 63 mm = 8000 mm
Ø 80 mm = 5500 mm

Alternative cylinder

ATEX version (II 2G T4, II 3D T4) on request

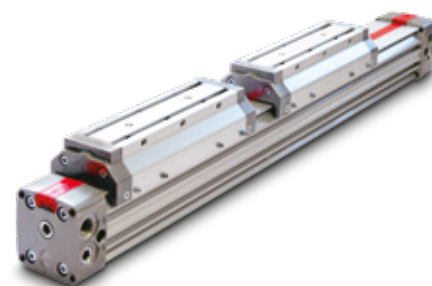


M/146100/MD

External adjustable guide with double carriages

Based on external adjustable guiding M/146100 this variant offers...

- » Double carriages to support extreme higher loads in all directions
- » You can choose the distance between the carriages
- » Universal mounting grooves and location holes for an optimal operator's workplace

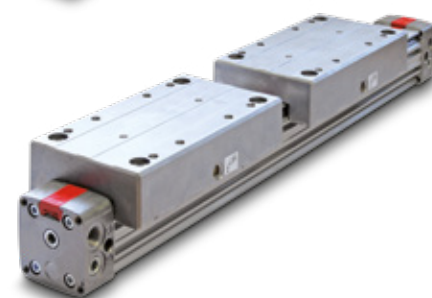


M/146200/MD

Precision roller guide with double carriages

Based on precision roller guiding M/146200 this variant offers...

- » Double roller carriages to support extreme higher loads in all directions
- » You can choose the distance between the roller carriages
- » Universal mounting grooves and location holes for an optimal operator's workplace



M/146100/L1 & L3

External adjustable guide with active holding brake

Based on external adjustable guiding M/146100 this variant offers...

- » An active holding brake
- » Brake with high holding force
- » With asbestos-free brake pat



M/146100/L2 & L4

External adjustable guide with passive holding brake

Based on external adjustable guiding M/146100 this variant offers...

- » An passive holding brake
- » High holding force by releasing the brake (pressure breakdown)
- » With asbestos-free brake pat



Lintra® Plus

1

Wiper seal design provides dust ingress protection across the complete range offering smoother operation and increased cylinder life

2

Closer mechanism reduces friction in the carriage assembly resulting in smoother movement

3a

Advanced strip divider gives better running performance

3b

Integral wear ring provides additional support and increases load carrying capacity

4

Universal mounting grooves allow simple and positive integration into machine design

5

Centre support mounting provides support for long stroke applications

6

Multiple porting as standard on all Lintra® Plus models

7

Sophisticated strip fixing enables the seal to be replaced without the need for tools

8

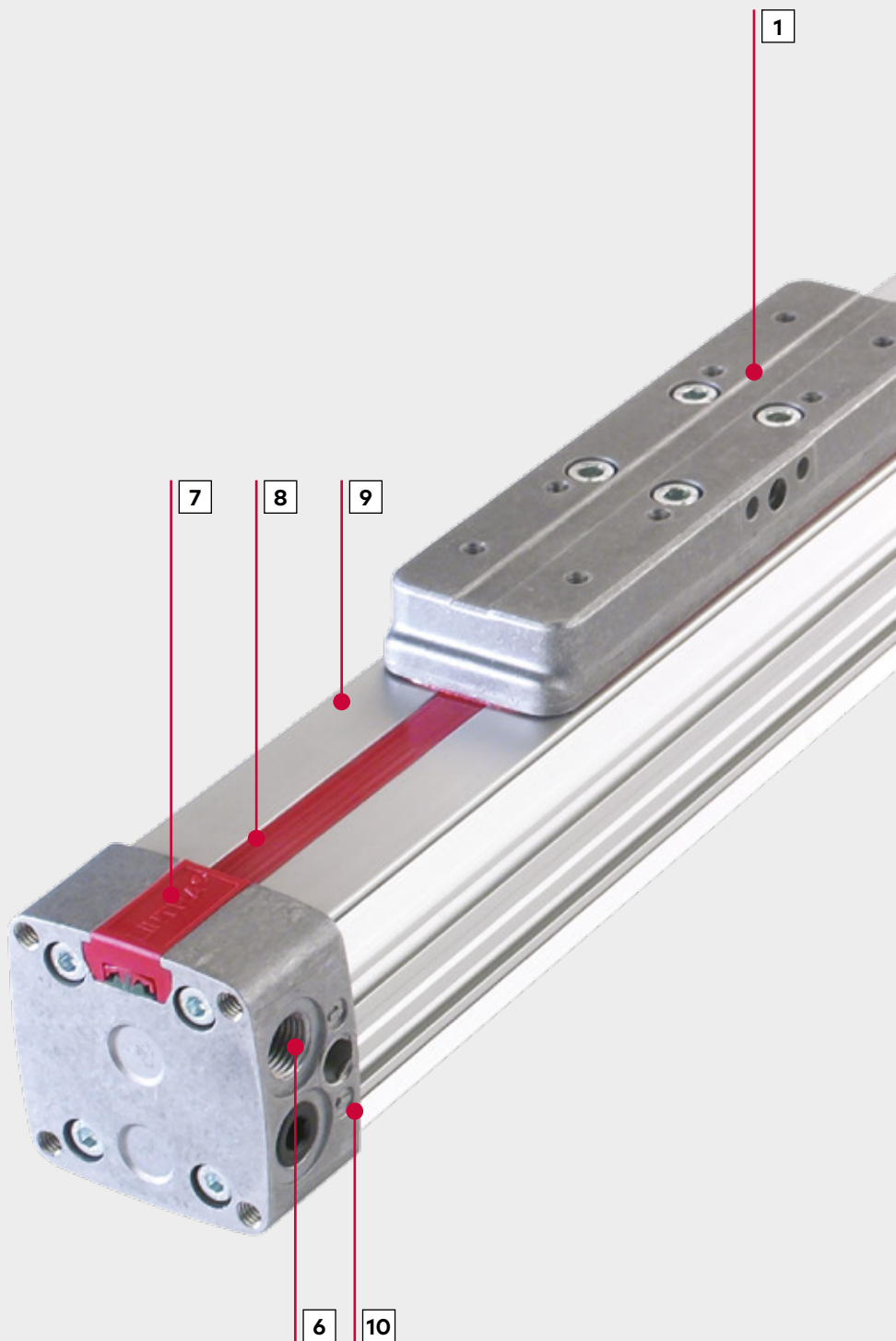
Patented sealing system using a geometric labyrinth seal prevents dust ingress, increases cylinder life and offers smoother operation

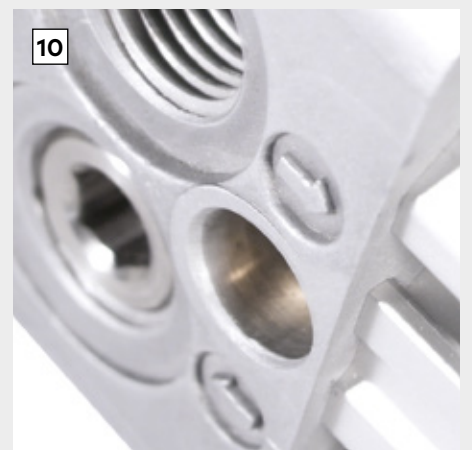
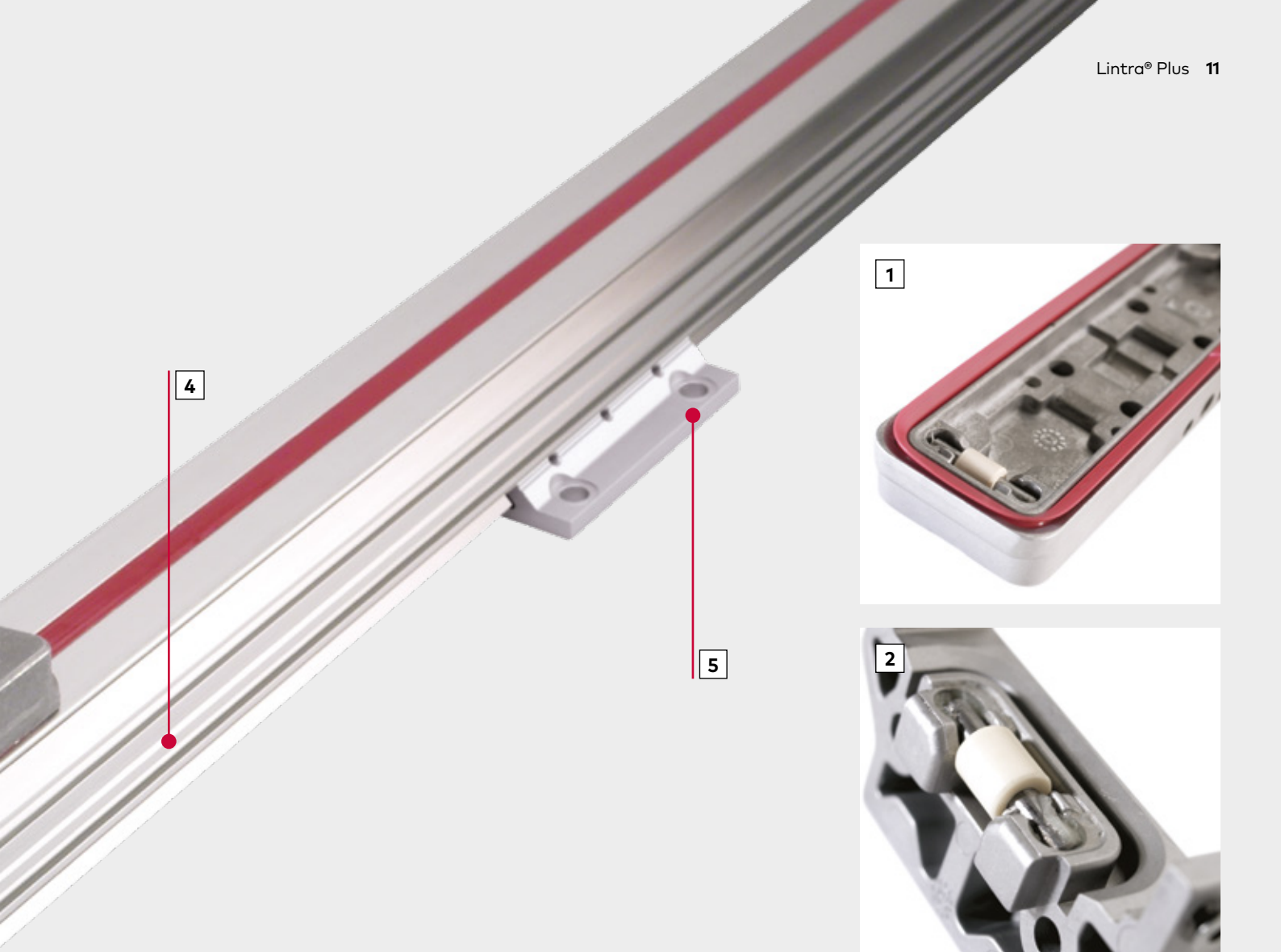
9

Reduced weight aluminium profile allows for direct integration into the machine design

10

Port identification showing carriage direction





Other Lintra® Rodless Cylinders

[Pneumatic Cylinders]

M/44000/M Lintra®

- » Ø 25 ... 40 mm
- » Compact, space-saving design
- » Proven sealing system
- » Adjustable cushioning
- » Magnetic piston as standard

A/44000 Lintra-Lite®

- » Compact, space-saving design
- » Proven sealing system
- » Integral switch mounting
- » Buffer or adjustable cushioning
- » Standard foot mountings





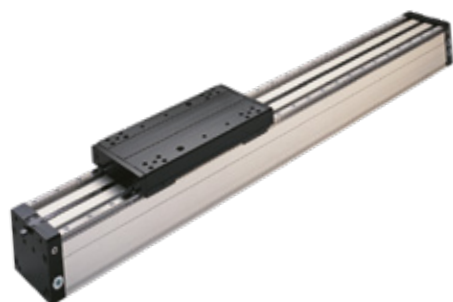
M/46800/M, M/46800/HM Lintra® Heavy duty cylinders

- » Ø 20 ... 40 mm
- » External guides for heavy loads over long distances
- » Rigid, reinforced aluminium profile provides greater load support
- » T-slots in the outer profile enable individual mounting options
- » Precision guidance with ball bearings on hardened trackways
- » Low rolling resistance



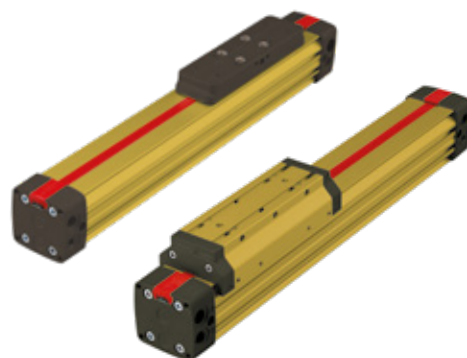
M/46800/PM Lintra® Heavy duty pneumatic cylinders

- » Ø 16, 25, 40 & 63 mm
- » Precise linear guiding
- » T-slots in the outer profile enable individual mounting options
- » Alternative driving cylinders offer
- » Versatile application possibilities
- » Torsional and bending resistant profiles



VM/146000, VM/146100 Lintra® Plus

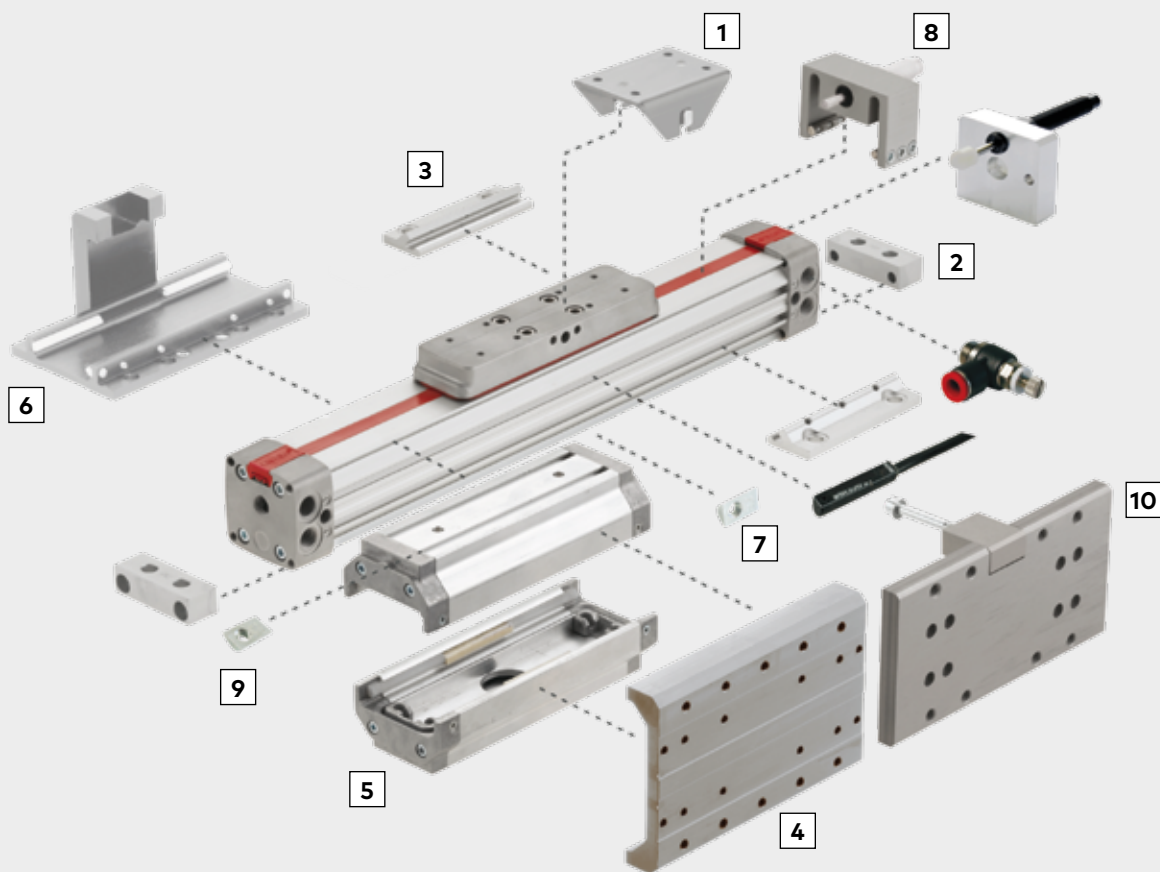
- » Ø 20 ... 80 mm
- » Corrosion-resistant
- » Lightweight design extrusion with universal mounting grooves
- » Proved and patented sealing system
- » Dust protection as standard
- » Up to 10% higher loading values against internal guiding series M/46000
- » Interchangeability with series VM/46000



Cylinder Mountings and Accessories

Mountings

A mounting option for every application



High flexibility complemented by a wide range of mountings and assembly kits:

- | | | |
|-----------------------------------|---|---|
| 1 Swinging bridge mounting | 5 Secondary carriage (Free carriage) | 9 Groove key for guiding bridge |
| 2 Foot mounting | 6 Carriage mounting plate | 10 Assembly kit for caged ball linear motion guide |
| 3 Centre support mounting | 7 Groove key | |
| 4 Side mounting plate | 8 Adjustable stop (Ø32 and 40 mm) | |



[Accessories]

Our Lintra® Plus range is complemented by one of the largest ranges of accessories, including switches, fittings and functional fittings



Banjo flow control



Elbow fitting



Straight fitting

Reed switch with integral 5 m cable



Norgren operates four global centres of technical excellence and a sales and service network in 50 countries, as well as manufacturing capability in Brazil, China, Czech Republic, Germany, India, Mexico UK and the USA.

For information on all Norgren companies visit

www.norgren.com

Supported by distributors worldwide.

For further information, scan this QR code or visit www.norgren.com



Norgren, Buschjost, FAS, Herion, Kloehn, Maxseal and Thompson Valves are registered trademarks of Norgren companies.

Due to our policy of continuous development, Norgren reserve the right to change specifications without prior notice.

z9559BR en/06/20

Selected Images used under license from Shutterstock.com

Incorporating



IMI