

# 382LP Series

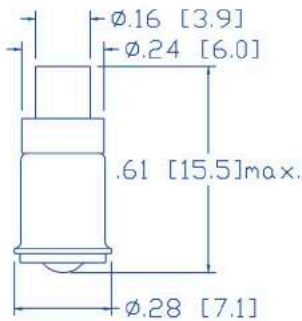
## T-1 3/4 Miniature Lamps



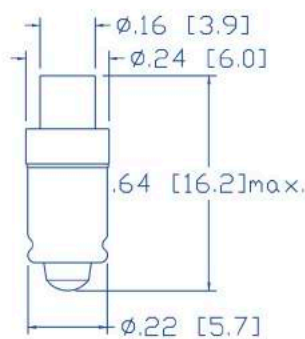
INCANDESCENT LAMP #	PowerLine® PART # WITH SHUNT RESISTOR	APPLIED VOLTAGE	MAXIMUM VOLTAGE	FIG #
85	85LS-X1	28AC/DC	30	3
86	86LS-X1	6AC/DC	7	3
327	387LP-X	28AC/DC	30	1
330	382LP-X	14AC/DC	15.5	1
345	345LP-X	6AC/DC	7	1
350	350LP-X	6AC/DC	7	1
370	370LP-X	18AC/DC	20	1
376	387LP-X	28AC/DC	30	1
382	382LP-X	14AC/DC	15.5	1
385	387LP-X	28AC/DC	30	1
386	386LP-X	14AC/DC	16	2
387	387LP-X	28AC/DC	30	1
388	388LP-X	28AC/DC	30	2
394	394LP-X	12AC/DC	13	1
7341	387LP-X	28AC/DC	30	1



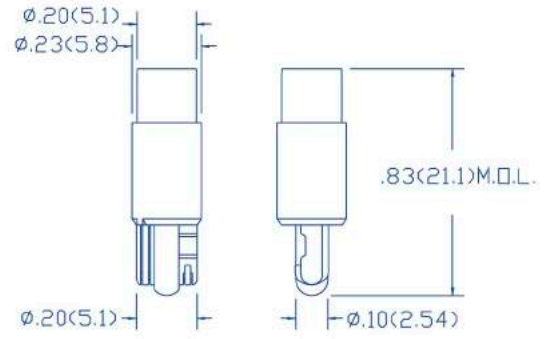
LED COLOR CODE	EMITTED COLOR	Used to illuminate the following lenses						
		Red	Amber	Yellow	Green	Blue	White	Clear
-R	Red	*					*	*
-A	Amber		*	*			*	*
-G	Green				*		*	*
-B	Blue					*	*	*
-W	White						*	*



Flange Base  
Figure 1



Groove Base  
Figure 2



Wedge Base  
Figure 3

# Mouser Electronics

Authorized Distributor

Click to View Pricing, Inventory, Delivery & Lifecycle Information:

VCC:

[382LP-A](#) [382LP-G](#) [382LP-R](#) [382LP-W](#) [386LP-W](#) [387LP-A](#) [387LP-G](#) [387LP-R](#) [387LP-W](#) [388LP-W](#)