

# AC axial fan

straight blades (A series)

Wall ring with guard grille

## ebm-papst Mulfingen GmbH & Co. KG

Bachmühle 2 · D-74673 Mulfingen

Phone +49 7938 81-0

Fax +49 7938 81-110

info1@de.ebmpapst.com

www.ebmpapst.com

Limited partnership · Headquarters Mulfingen

County court Stuttgart · HRA 590344

General partner Elektrobau Mulfingen GmbH · Headquarters Mulfingen

County court Stuttgart · HRB 590142

## Nominal data

| Type                          | W2E250-CE65-02    |         |         |      |
|-------------------------------|-------------------|---------|---------|------|
| Motor                         | M2E068-DF         |         |         |      |
| Phase                         |                   | 1~      | 1~      | 1~   |
| Nominal voltage               | VAC               | 230     | 230     | 230  |
| Frequency                     | Hz                | 50      | 60      | 60   |
| Type of data definition       |                   | fa      | fa      | fa   |
| Valid for approval / standard |                   | CE      | CE      | UL   |
| Speed                         | min <sup>-1</sup> | 2550    | 2750    | 2750 |
| Power input                   | W                 | 115     | 165     | 175  |
| Current draw                  | A                 | 0.51    | 0.74    | 0.74 |
| Motor capacitor               | µF                | 4       | 4       | 4    |
| Capacitor voltage             | VDB               | 400     | 400     | 400  |
| Capacitor standard            |                   | P0 (CE) | P0 (CE) | UL   |
| Max. back pressure            | Pa                | 150     | 130     | 130  |
| Max. ambient temperature      | °C                | 55      | 50      | 50   |
| Starting current              | A                 | 0.9     | 0.9     | 0.9  |

ml = max. load · me = max. efficiency · fa = running at free air · cs = customer specs · cu = customer unit  
Subject to alterations



# AC axial fan

straight blades (A series)

Wall ring with guard grille

## Technical features

|   |   |
|---|---|
| <b>Mass</b>   | 2.2 kg  |
| <b>Size</b>   | 250 mm  |
| <b>Surface of rotor</b>   | Coated in black   |
| <b>Material of impeller</b>   | Sheet steel, coated in black                                    |
| <b>Material of wall ring</b>  | Sheet steel, pre-galvanised and coated in black plastic         |
| <b>Material of guard grille</b>   | Steel, phosphated and coated in black plastic                   |
| <b>Number of blades</b>   | 5   |
| <b>Direction of air flow</b>  | "A"   |
| <b>Direction of rotation</b>  | Clockwise, seen on rotor  |
| <b>Type of protection</b>   | IP 44; Depending on installation and position as per EN 60034-5 |
| <b>Insulation class</b>   | "B"   |
| <b>Humidity class</b>   | F1-2  |
| <b>Max. permissible ambient motor temp. (transp./ storage)</b>            | + 80 °C   |
| <b>Min. permissible ambient motor temp. (transp./storage)</b>             | - 40 °C   |
| <b>Mounting position</b>  | Shaft horizontal or rotor on bottom; rotor on top on request    |
| <b>Condensate discharge holes</b>   | Rotor-side  |
| <b>Operation mode</b>   | S1  |
| <b>Motor bearing</b>  | Ball bearing  |
| <b>Touch current acc. IEC 60990 (measuring network Fig. 4, TN system)</b> | < 0.75 mA   |
| <b>Motor protection</b>   | Thermal overload protector (TOP) wired internally               |
| <b>Cable exit</b>   | Variable  |
| <b>Protection class</b>   | I (if protective earth is connected by customer)                |
| <b>Product conforming to standard</b>                                     | EN 60335-1; CE  |

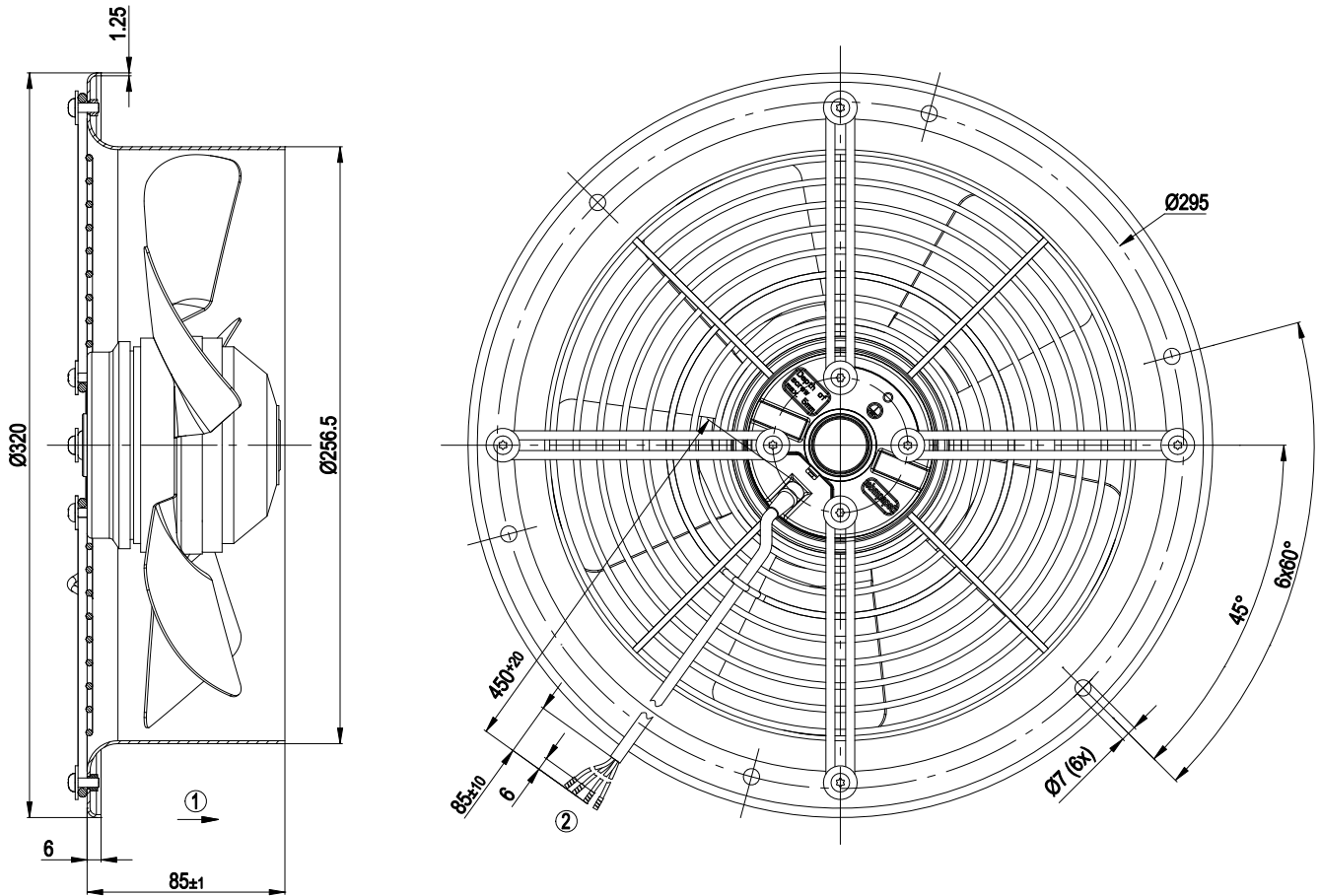


# AC axial fan

straight blades (A series)

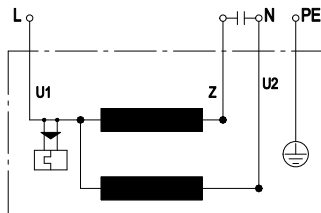
Wall ring with guard grille

## Product drawing



- 1 Direction of air flow "A"
- 2 Connection line PVC 4G 0.5 mm<sup>2</sup>, 4x brass lead tips crimped

## Connection screen



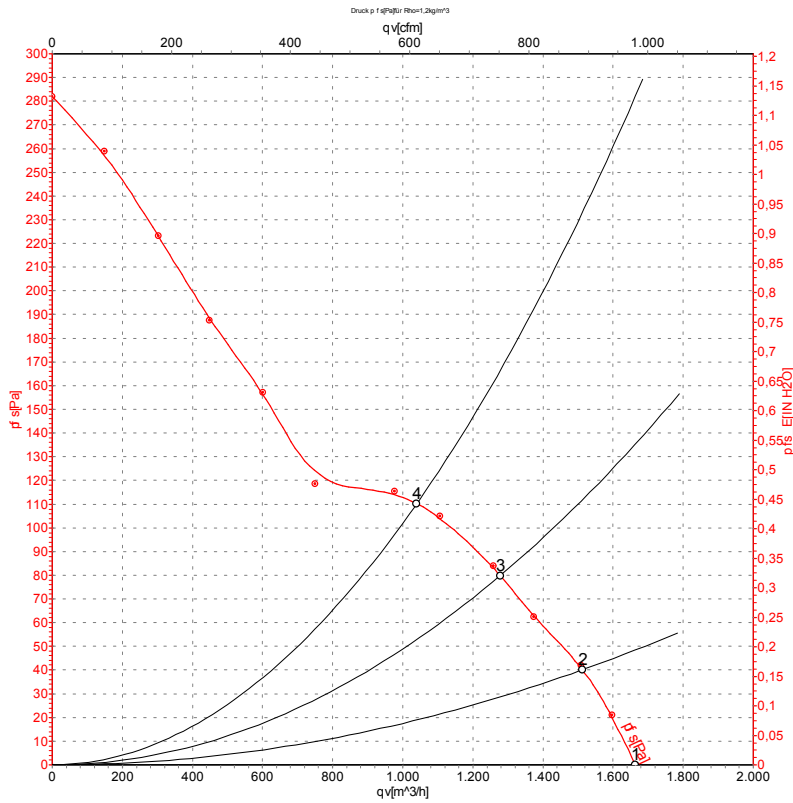
|    |              |   |       |    |       |
|----|--------------|---|-------|----|-------|
| U1 | blue         | Z | brown | U2 | black |
| PE | green/yellow |   |       |    |       |



# AC axial fan

straight blades (A series)  
Wall ring with guard grille

## Charts: Air flow 50 Hz



Measurement: LU-68411

Air performance measured as per ISO 5801 Installation category A. For detailed information on the measuring set-up, please contact ebm-papst. Suction-side noise levels: LwA measured as per ISO 13347 / LpA measured with 1m distance to fan axis. The values given are valid under the measuring conditions mentioned above and may vary according to the actual installation situation. With any deviation from the standard set-up, the specific values have to be checked and reviewed with the unit installed.

## Measured values

|   | U   | f  | n                 | P <sub>e</sub> | I    | qv                | p <sub>fs</sub> |
|---|-----|----|-------------------|----------------|------|-------------------|-----------------|
|   | V   | Hz | min <sup>-1</sup> | W              | A    | m <sup>3</sup> /h | Pa              |
| 1 | 230 | 50 | 2550              | 115            | 0.51 | 1660              | 0               |
| 2 | 230 | 50 | 2460              | 127            | 0.55 | 1515              | 40              |
| 3 | 230 | 50 | 2430              | 129            | 0.56 | 1280              | 80              |
| 4 | 230 | 50 | 2430              | 129            | 0.56 | 1040              | 110             |

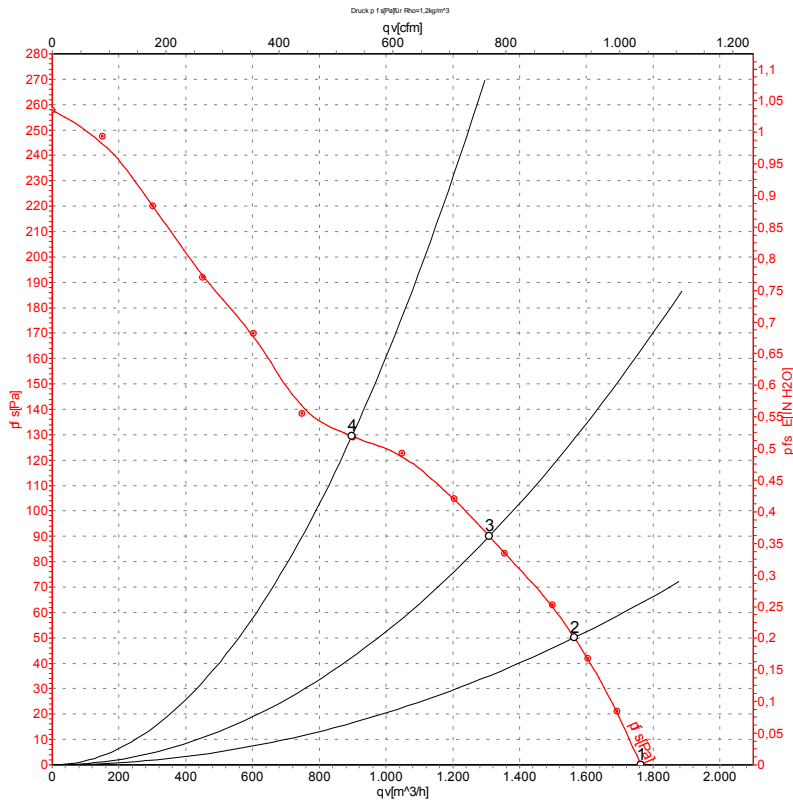
U = Supply voltage · f = Frequency · n = Speed · P<sub>e</sub> = Power input · I = Current draw · qv = Air flow · p<sub>fs</sub> = Pressure increase



# AC axial fan

straight blades (A series)  
Wall ring with guard grille

## Charts: Air flow 60 Hz



Measurement: LU-68412

Air performance measured as per ISO 5801 Installation category A. For detailed information on the measuring set-up, please contact ebm-papst. Suction-side noise levels: L<sub>wA</sub> measured as per ISO 13347 / L<sub>pA</sub> measured with 1m distance to fan axis. The values given are valid under the measuring conditions mentioned above and may vary according to the actual installation situation. With any deviation from the standard set-up, the specific values have to be checked and reviewed with the unit installed.

## Measured values

|   | U   | f  | n                 | P <sub>e</sub> | I    | qv                | p <sub>fs</sub> |
|---|-----|----|-------------------|----------------|------|-------------------|-----------------|
|   | V   | Hz | min <sup>-1</sup> | W              | A    | m <sup>3</sup> /h | Pa              |
| 1 | 230 | 60 | 2750              | 165            | 0.74 | 1760              | 0               |
| 2 | 230 | 60 | 2580              | 171            | 0.75 | 1565              | 50              |
| 3 | 230 | 60 | 2525              | 175            | 0.76 | 1310              | 90              |
| 4 | 230 | 60 | 2590              | 170            | 0.75 | 900               | 130             |

U = Supply voltage · f = Frequency · n = Speed · P<sub>e</sub> = Power input · I = Current draw · qv = Air flow · p<sub>fs</sub> = Pressure increase



# Mouser Electronics

Authorized Distributor

Click to View Pricing, Inventory, Delivery & Lifecycle Information:

[ebm-papst:](#)

[W2E250-CE65-02](#)