

W1G230-EB89-01

EC axial fan - ESM

sickled blades (S series)

ESM wall ring



ebm-papst Mulfingen GmbH & Co. KG

Bachmühle 2 · D-74673 Mulfingen

Phone +49 7938 81-0

Fax +49 7938 81-110

info1@de.ebmpapst.com

www.ebmpapst.com

Limited partnership · Headquarters Mulfingen
County court Stuttgart · HRA 590344

General partner: Elektrobau Mulfingen GmbH · Headquarters Mulfingen
County court Stuttgart · HRB 590142

Nominal data

Type	W1G230-EB89-01		
Motor	M1G055-BD		
Phase		1~	1~
Nominal voltage	VAC	230	230
Frequency	Hz	50/60	50/60
Type of data definition		-	me
Speed	min ⁻¹	1000	1500
Power input	W	-	26
Current draw	A		0.2
Min. ambient temperature	°C	-30	-30
Max. ambient temperature	°C	50	50

ml = max. load · me = max. efficiency · fa = running at free air · cs = customer specs · cu = customer unit
Subject to alterations



Technical features

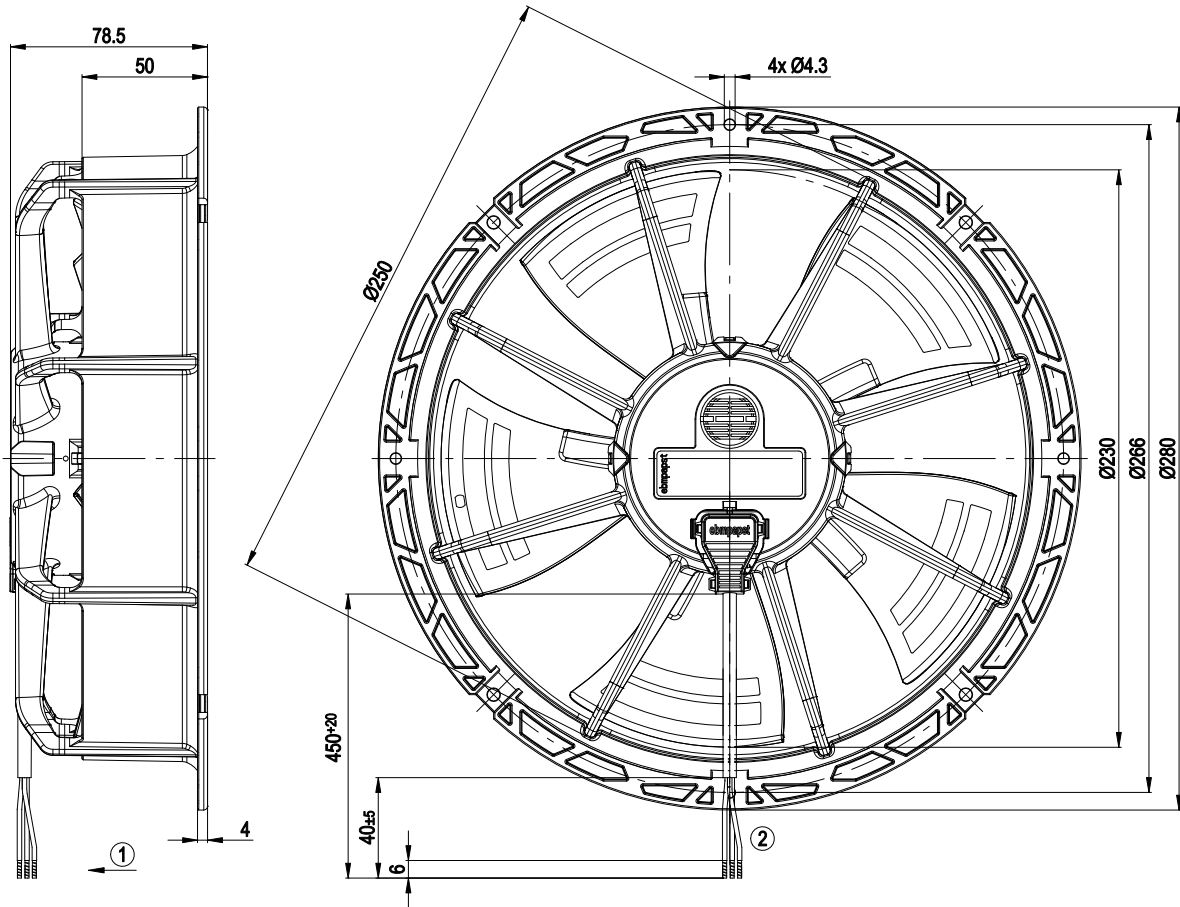
Mass	1.05 kg
Size	230 mm
Material of impeller	PA plastic 6, fibreglass-reinforced
Material of wall ring	Plastic, PPTD 20
Number of blades	5
Direction of air flow	"V"
Direction of rotation	Counter-clockwise, seen on rotor
Type of protection	IP 54
Insulation class	"B"
Humidity class	F3-1
Max. permissible ambient motor temp. (transp./ storage)	+80 °C
Min. permissible ambient motor temp. (transp./storage)	-40 °C
Mounting position	Any
Condensate discharge holes	None
Operation mode	S1
Motor bearing	Ball bearing
Technical features	- Over-temperature protected motor - Soft start - Speed selection max/min
Speed steps	2
EMC interference immunity	Acc. to EN 61000-6-2 (industrial environment)
EMC interference emission	Acc. to EN 61000-6-3 (household environment)
EMC harmonics	Acc. to EN 61000-3-2/3
Motor protection	Thermal overload protector (TOP) wired internally
Cable exit	Lateral
Protection class	II
Product conforming to standard	EN 60335-1; CE
Approval	UL 507; VDE; CSA C22.2 Nr.113

EC axial fan - ESM

sickled blades (S series)

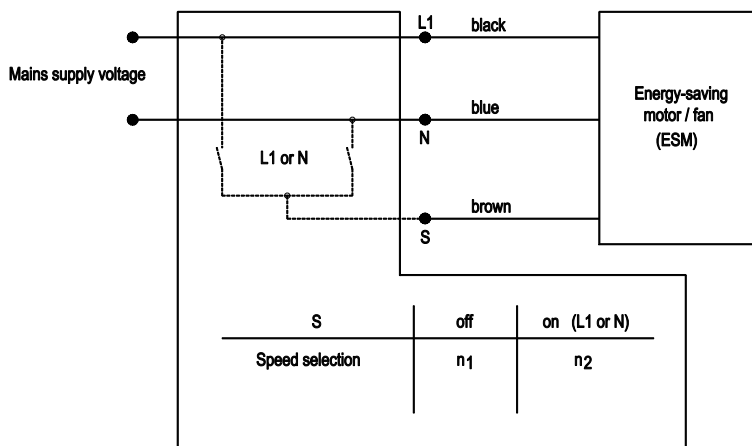
ESM wall ring

Product drawing

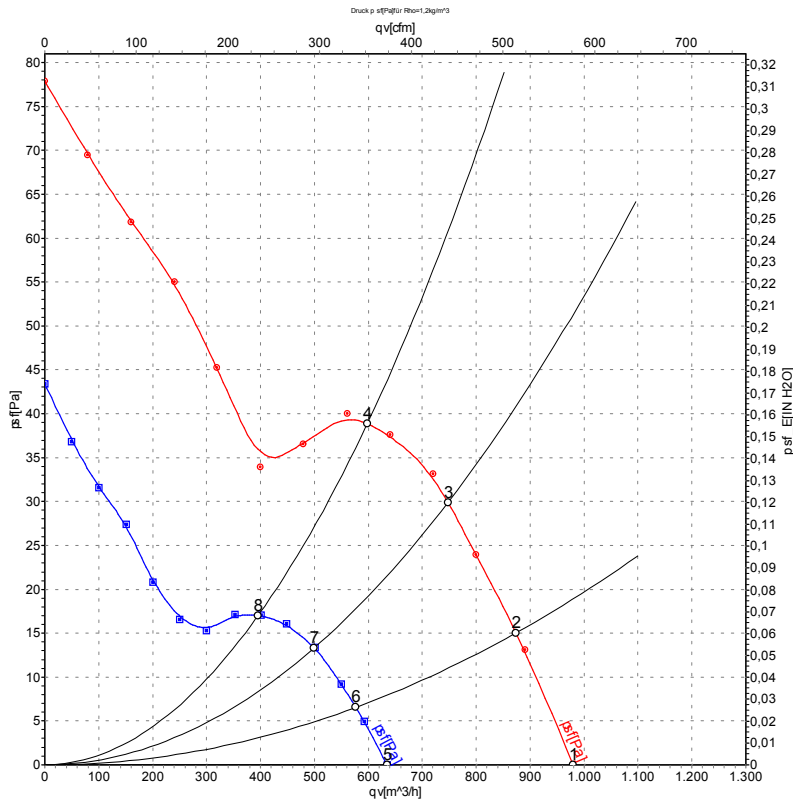


- 1 Direction of air flow "V"
- 2 Direction of rotation counter-clockwise, seen on rotor
- 3 Connection line AWG20; 3 x brass lead tips crimped

Connection screen



Charts: Air flow 50 Hz



Measurement: LU-112479
Measurement: LU-112480

Air performance measured as per ISO 5801 Installation category A. For detailed information on the measuring set-up, please contact ebm-papst. Suction-side noise levels: LwA measured as per ISO 13347 / LpA measured with 1m distance to fan axis. The values given are valid under the measuring conditions mentioned above and may vary according to the actual installation situation. With any deviation from the standard set-up, the specific values have to be checked and reviewed with the unit installed.

Measured values

	U	f	n	P _e	I	LpA _{in}	LwA _{in}	qV	p _{sf}
	V	Hz	min ⁻¹	W	A	dB(A)	dB(A)	m ³ /h	Pa
1	230	50	1500	24	0.19	51	58	980	0
2	230	50	1500	25	0.19	51	58	875	15
3	230	50	1500	25	0.19	50	58	750	30
4	230	50	1500	26	0.20	49	57	600	39
5	230	50	1000	10.0	0.09	39	48	635	0
6	230	50	1000	11	0.09	39	48	575	7
7	230	50	1000	11	0.09	40	48	500	14
8	230	50	1000	11	0.09	43	52	395	17



Mouser Electronics

Authorized Distributor

Click to View Pricing, Inventory, Delivery & Lifecycle Information:

[ebm-papst:](#)

[W1G230-EB89-01](#)