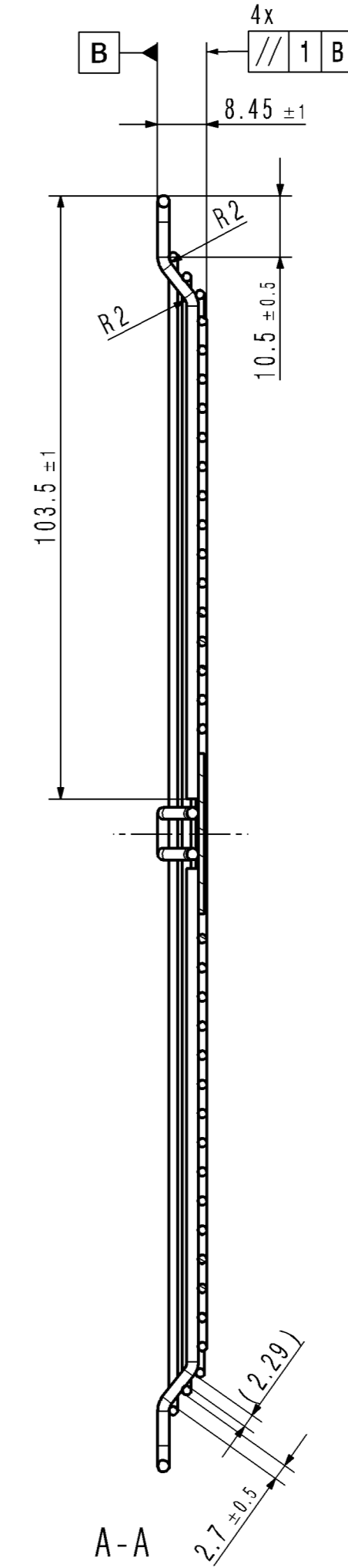
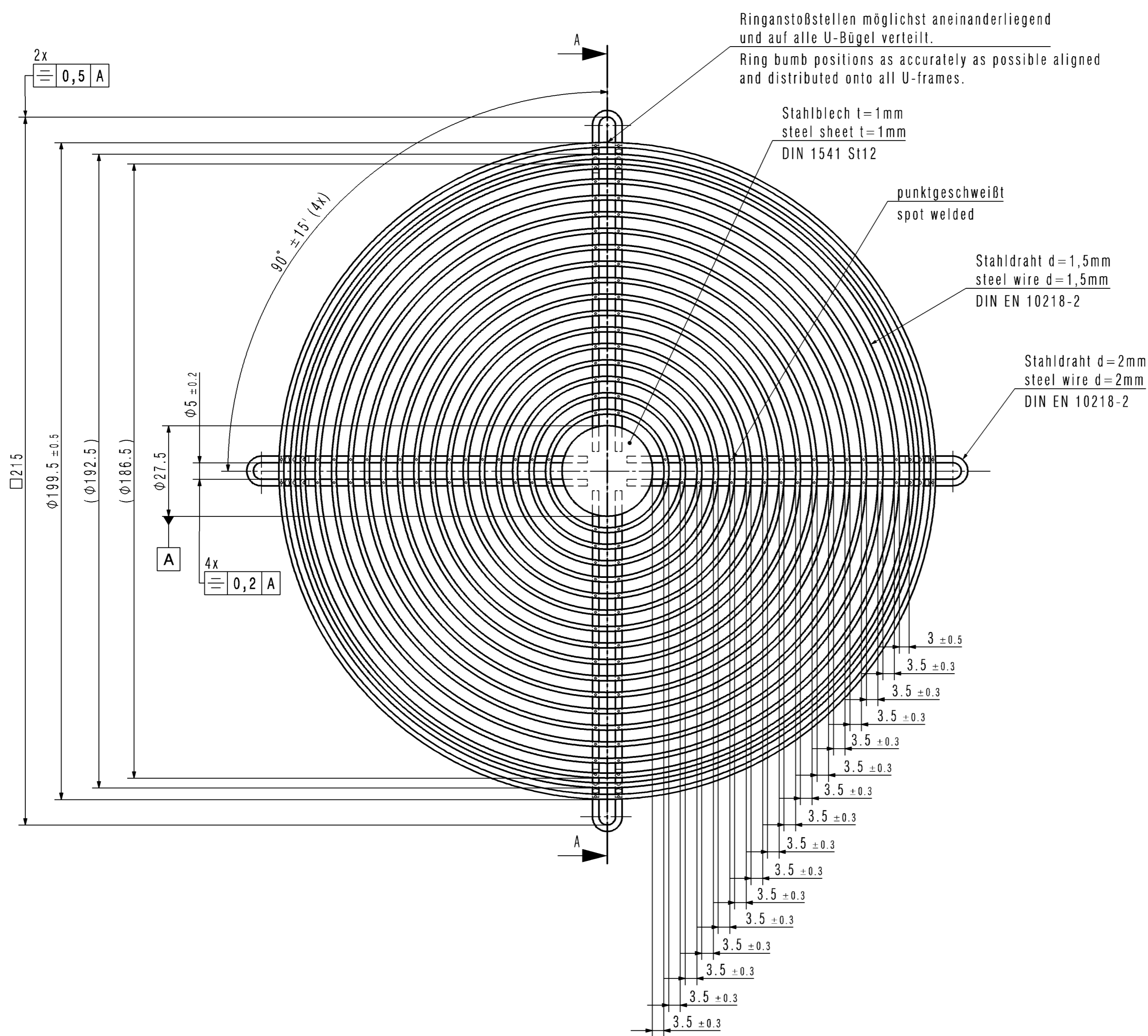


Copying of this document, and giving it others and the use or communication of the contents thereof, are forbidden without express authority. Offenders are liable to the payment of damages. All rights are reserved in the event of the grant of a patent or the registration of a utility model or design.

Schutzmerkmale nach DIN ISO 15846 beachten!
 Refer to protection notice DIN ISO 15846.



Oberfläche: galvanisch glanzverzinkt, blau chromatiert, Schichtdicke 8-10µm
 alternativ: vernickelt, Schichtdicke 3µm
 Achtung! dekoratives Teil!
 surface: bright zincked, blue chromated, layer thickness 8-10µm
 alternative: nickel-pated, layer thickness 3µm
 Attention! Decorative part!

FR	V5R19	PAPST	Werkstoff / Material: Stahldraht / steel wire DIN EN 10016-1	Volumen / Volume (cm³): 15.272,139	
SAP-Status/State	Änd.-Nr. / Change-No.	CATIA-System-Version/ CATIA-System-Version	CAD-Umgebung/ CAD-Environment	Gewicht / Mass (g): 109,806	
Tolerierung / Tolerances: DIN 7167 Allgmeintoleranzen / Gen. Tolerances: DIN ISO 2768-mK-E	Datum Name Bearb. / Drawn 20.04.2010 KIENINGER Gepr. / Checked 23.06.2010 KIENINGER Freig. / Released 23.06.2010 SEIDLER		Artikel / Title: LZ22 Schutzgitter/guard grille according to DIN EN ISO 13857		
	ebmpapst			Zölg.-Nr. / Drawing No: 9920022000	
	Dokumenttyp / Type of Document ebm-papst St. Georgen GmbH & Co KG		Teil/Dokument (Blatt/Page) 001	Index / Index -	Format / Size: A2
			Maßstab/Scale 1:1		

Mouser Electronics

Authorized Distributor

Click to View Pricing, Inventory, Delivery & Lifecycle Information:

[ebm-papst:](#)

[LZ22](#)