




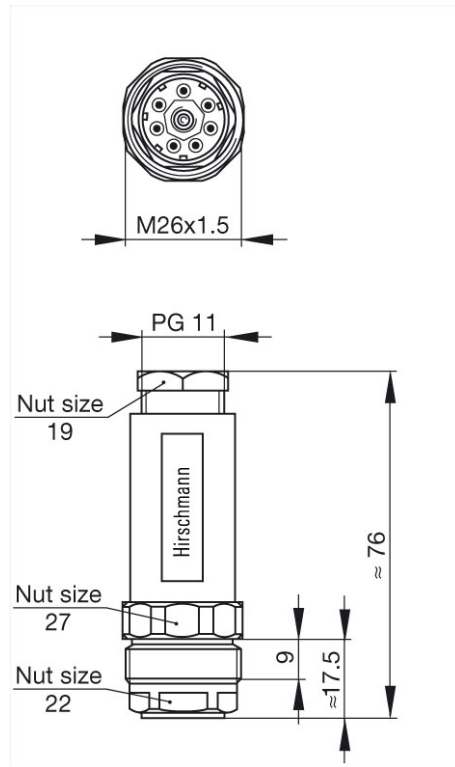
Product information N6R DM

Industrial Connecting Solutions: Circular Connectors: MIL, DIN, Universal Connectors: DIN 43651 Connectors (NR series): Cable plug: N6R DM

<http://e-catalog.hirschmann.com/link/57078-24228-256281-256284-24367-24371-36238/en/conf/uistate>

Name	N6R DM
	
	Cable connector, strain relief by means of a clamping cage
Delivery informations	
Availability	available
Product description	
Description	Cable connector, strain relief by means of a clamping cage
Type	N6R DM
Order No.	932 273-106
Type of contact	male
Number of contacts	6 + PE
Cable gland	PG 11
Cable diameter	7 mm to 9 mm
Conductor size	max. 1.5 mm ²
Standard	DIN 43651
Housing Color	grey
Technical data	
Pin dimensions	1.6 mm
Rated voltage	AC/DC 250 V
Rated current	10 A
Contact resistance	<= 5 mOhm
Type of termination	crimp
Suitable cables	0.5 mm ² to 1.5 mm ²
Material	
Contact surface material	Ag
Contact bearer material	PET
Housing material	PET
Environmental conditions	
Protection class (IEC 60529)	IP 65
Temperature range	-40 °C to +90 °C
Packing unit	
Packaging unit	10 pieces
Scope of delivery and accessories	
Scope of delivery	1 cable connector, not assembled, in polybag, with assembly instructions
Accessories to order separately	can be plugged into N6R EF; protective cover SHK 2, order no. 733 845-0014 contacts: RSC 162

Picture
Drawing



Belden Deutschland GmbH
 Im Gewerbepark 2
 58579 Schalksmühle
 Germany
 Phone: +49 7127/14-1806
 E-Mail: icos-sales@belden.com

The information published in the websites has been compiled as carefully as possible. It is subject to alteration without notice in technical as well as in price-related/commercial respect. The complete information and data were available on user documentation. Mandatory information can only be obtained by a concrete query.