

1A, 50V - 1000V Surface Mount Rectifiers

FEATURES

- Glass passivated chip junction
- Ideal for automated placement
- Low forward voltage drop
- High surge current capability
- Compliant to RoHS Directive 2011/65/EU and in accordance to WEEE 2002/96/EC
- Halogen-free according to IEC 61249-2-21 definition



DO-214AC (SMA)

MECHANICAL DATA

Case: DO-214AC (SMA)

Molding compound, UL flammability classification rating 94V-0

Moisture sensitivity level: level 1, per J-STD-020

Part no. with suffix "H" means AEC-Q101 qualified

Packing code with suffix "G" means green compound (halogen-free)

Terminal: Matte tin plated leads, solderable per JESD22-B102

Meet JESD 201 class 2 whisker test

Polarity: Indicated by cathode band

Weight: 0.06 g (approximately)

MAXIMUM RATINGS AND ELECTRICAL CHARACTERISTICS (T _A =25°C unless otherwise noted)										
PARAMETER	SYMBOL	S1A	S1B	S1D	S1G	S1J	S1K	S1M	UNIT	
Maximum repetitive peak reverse voltage	V _{RRM}	50	100	200	400	600	800	1000	V	
Maximum RMS voltage	V _{RMS}	35	70	140	280	420	560	700	V	
Maximum DC blocking voltage	V _{DC}	50	100	200	400	600	800	1000	V	
Maximum average forward rectified current	I _{F(AV)}	1								A
Peak forward surge current, 8.3 ms single half sine-wave superimposed on rated load	I _{FSM}	40							30	A
Maximum instantaneous forward voltage (Note 1) @ 1 A	V _F	1.1								V
Maximum reverse current @ rated V _R	I _R	1 50								μA
		T _J =25°C T _J =125°C								
Typical reverse recovery time (Note 2)	t _{rr}	1.5								μs
Typical junction capacitance (Note 3)	C _J	12								pF
Non-repetitive peak reverse avalanche energy at 25°C, I _{AS} =1A, L=10mH	E _{RSM}	5								mJ
Typical thermal resistance	R _{θJL} R _{θJA}	27 75							30 85	°C/W
Operating junction temperature range	T _J	- 55 to +175								°C
Storage temperature range	T _{STG}	- 55 to +175								°C

Note 1: Pulse test with PW=300μs, 1% duty cycle

Note 2: Reverse Recovery Test Conditions: I_F=0.5A, I_R=1.0A, I_{RR}=0.25A

Note 3: Measured at 1 MHz and Applied Reverse Voltage of 4.0V D.C.

ORDERING INFORMATION					
PART NO.	PART NO. SUFFIX	PACKING CODE	PACKING CODE SUFFIX	PACKAGE	PACKING
S1x (Note 1)	H	R3	G	SMA	1,800 / 7" Plastic reel
		R2		SMA	7,500 / 13" Paper reel
		M2		SMA	7,500 / 13" Plastic reel
		F3		Folded SMA	1,800 / 7" Plastic reel
		F2		Folded SMA	7,500 / 13" Paper reel
		F4		Folded SMA	7,500 / 13" Plastic reel
		E3		Clip SMA	1,800 / 7" Plastic reel
		E2		Clip SMA	7,500 / 13" Plastic reel

Note 1: "x" defines voltage from 50V (S1A) to 1000V (S1M)

EXAMPLE					
PREFERRED PART NO.	PART NO.	PART NO. SUFFIX	PACKING CODE	PACKING CODE SUFFIX	DESCRIPTION
S1MHR3G	S1M	H	R3	G	AEC-Q101 qualified Green compound

RATINGS AND CHARACTERISTICS CURVES (T_A=25°C unless otherwise noted)

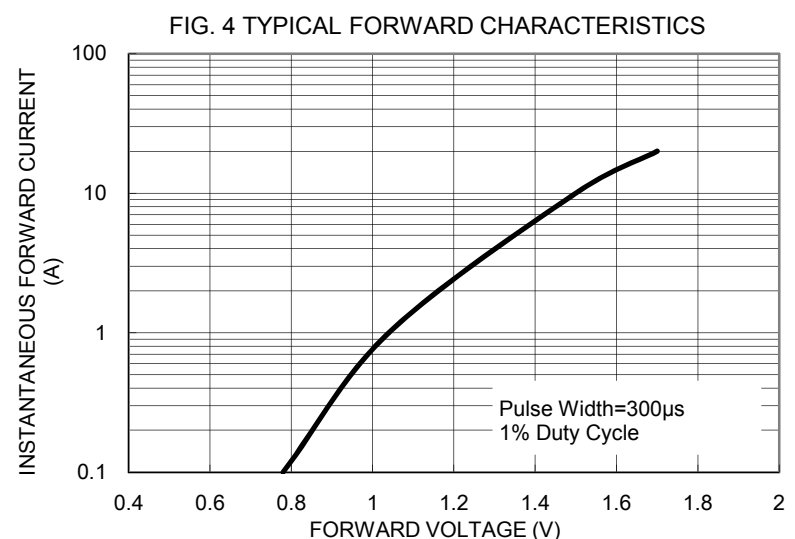
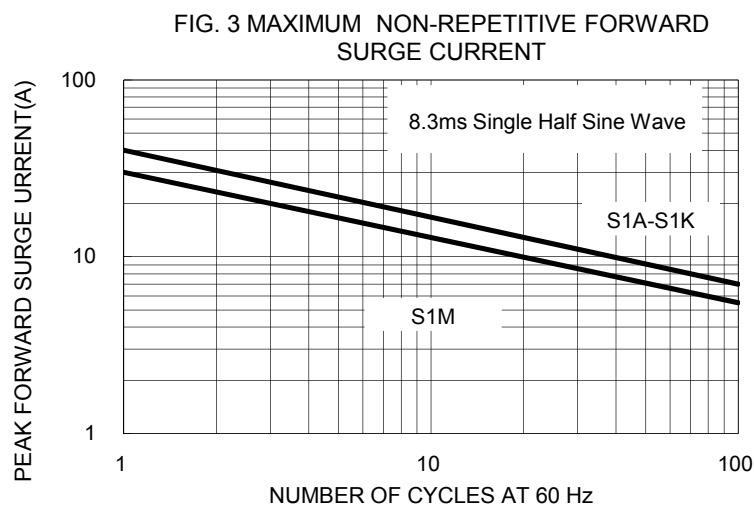
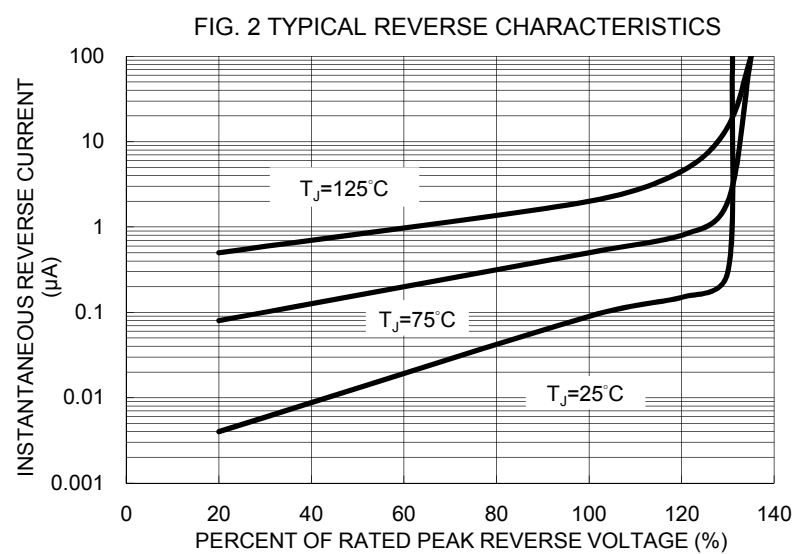
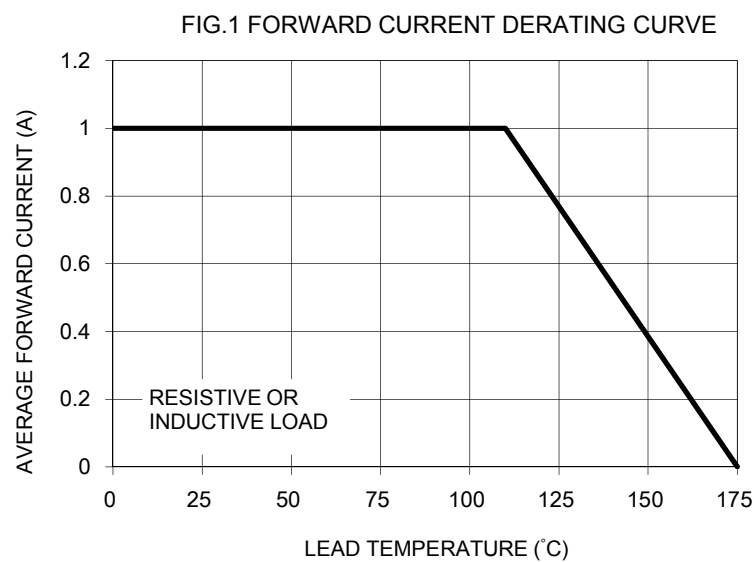


FIG. 5 TYPICAL JUNCTION CAPACITANCE

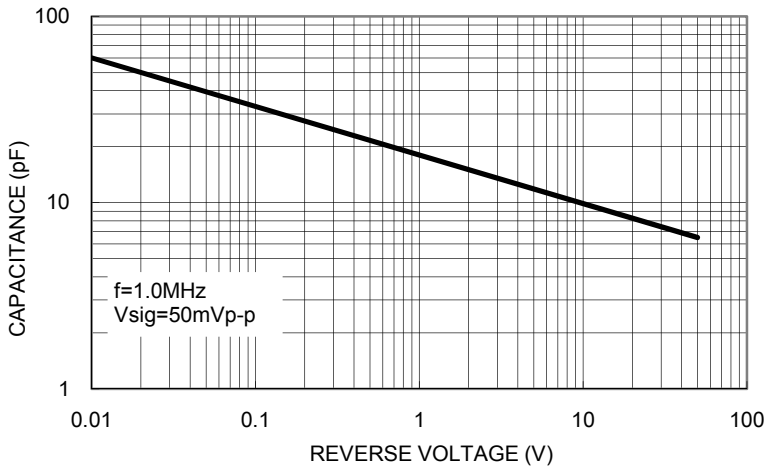
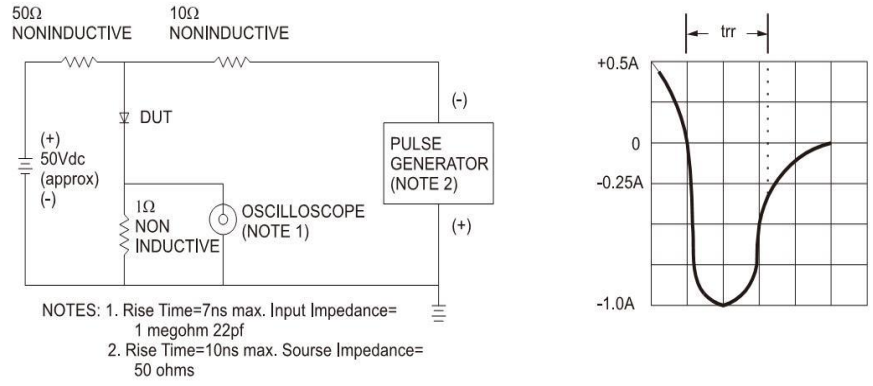
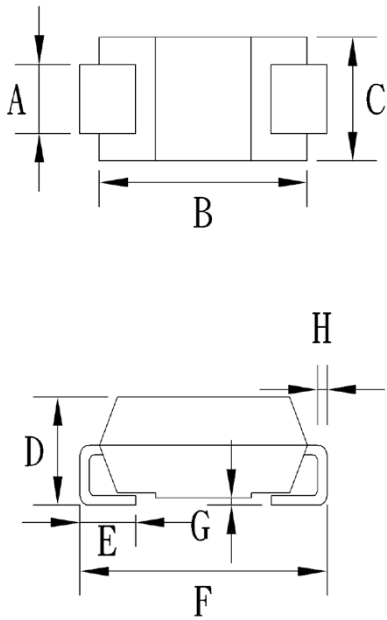


FIG.6- REVERSE RECOVERY TIME CHARACTERISTIC AND TEST CIRCUIT DIAGRAM

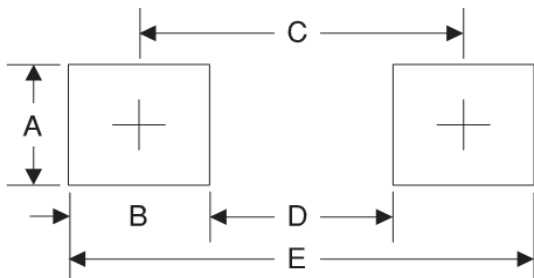


PACKAGE OUTLINE DIMENSIONS
DO-214AC (SMA)



DIM.	Unit (mm)		Unit (inch)	
	Min	Max	Min	Max
A	1.27	1.58	0.050	0.062
B	4.06	4.60	0.160	0.181
C	2.29	2.83	0.090	0.111
D	1.99	2.50	0.078	0.098
E	0.90	1.41	0.035	0.056
F	4.95	5.33	0.195	0.210
G	0.10	0.20	0.004	0.008
H	0.15	0.31	0.006	0.012

SUGGESTED PAD LAYOUT



Symbol	Unit (mm)	Unit (inch)
A	1.68	0.066
B	1.52	0.060
C	3.93	0.155
D	2.41	0.095
E	5.45	0.215

MARKING DIAGRAM



- P/N = Specific Device Code
- G = Green Compound
- YW = Date Code
- F = Factory Code

Notice

Specifications of the products displayed herein are subject to change without notice. TSC or anyone on its behalf, assumes no responsibility or liability for any errors or inaccuracies.

Information contained herein is intended to provide a product description only. No license, express or implied, to any intellectual property rights is granted by this document. Except as provided in TSC's terms and conditions of sale for such products, TSC assumes no liability whatsoever, and disclaims any express or implied warranty, relating to sale and/or use of TSC products including liability or warranties relating to fitness for a particular purpose, merchantability, or infringement of any patent, copyright, or other intellectual property right.

The products shown herein are not designed for use in medical, life-saving, or life-sustaining applications. Customers using or selling these products for use in such applications do so at their own risk and agree to fully indemnify TSC for any damages resulting from such improper use or sale.

Mouser Electronics

Authorized Distributor

Click to View Pricing, Inventory, Delivery & Lifecycle Information:

Taiwan Semiconductor:

[S1A](#) [S1B](#) [S1D](#) [S1G](#) [S1J](#) [S1K](#) [S1M](#) [S1A F2](#) [S1A R2](#) [S1B F2](#) [S1B R2](#) [S1K F2](#) [S1K R2](#) [S1M R2](#) [S1D F2](#) [S1D R2](#) [S1J F2](#) [S1J R2](#) [S1M F3](#) [S1GHF3G](#) [S1J F2G](#) [S1M F2](#) [S1BHE2G](#) [S1DHR2G](#) [S1BHF3](#) [S1A E3G](#) [S1B R3G](#) [S1GHE3G](#) [S1J R3G](#) [S1BHF2](#) [S1DHE3G](#) [S1DHF2G](#) [S1AHR2](#) [S1B F3](#) [S1K R3](#) [S1D R3](#) [S1B F2G](#) [S1A E2G](#) [S1AHF2G](#) [S1JHR2](#) [S1M E2G](#) [S1JHF3](#) [S1BHE3G](#) [S1G E3G](#) [S1KHF2G](#) [S1AHF3G](#) [S1AHF3](#) [S1GHF3](#) [S1M E3G](#) [S1AHR3](#) [S1BHR3](#) [S1JHF3G](#) [S1B E2G](#) [S1AHR3G](#) [S1M F2G](#) [S1DHR3G](#) [S1AHR2G](#) [S1GHF2](#) [S1G E3](#) [S1J F3](#) [S1M R3G](#) [S1K R2G](#) [S1K R3G](#) [S1G R3](#) [S1MHE3G](#) [S1D E2G](#) [S1BHR2](#) [S1JHR3](#) [S1JHF2](#) [S1AHE3G](#) [S1G F2](#) [S1GHR3G](#) [S1KHR2](#) [S1D F3G](#) [S1MHF3G](#) [S1JHR2G](#) [S1KHE2G](#) [S1M E3](#) [S1DHR3](#) [S1M F3G](#) [S1MHE2G](#) [S1KHF3G](#) [S1M E2](#) [S1G R2G](#) [S1GHR3](#) [S1JHE2G](#) [S1J E2](#) [S1K F3G](#) [S1J R2G](#) [S1GHR2G](#) [S1KHE3G](#) [S1D R2G](#) [S1G F2G](#) [S1BHF2G](#) [S1G E2](#) [S1MHR2](#) [S1B R2G](#) [S1GHR2](#) [S1GHE2G](#) [S1D E3G](#)