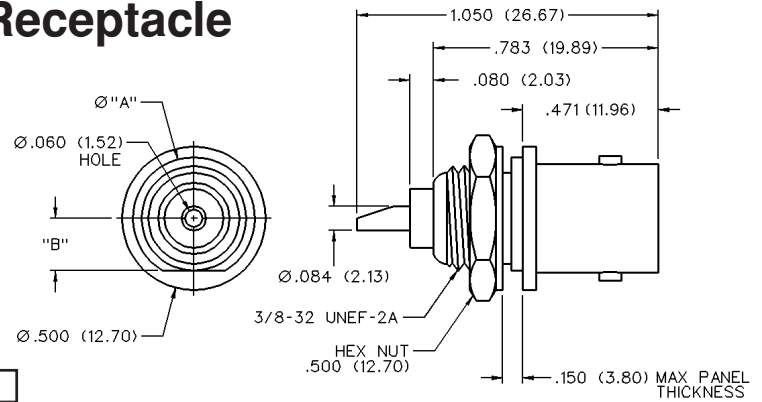


Front Mount Bulkhead Jack Receptacle

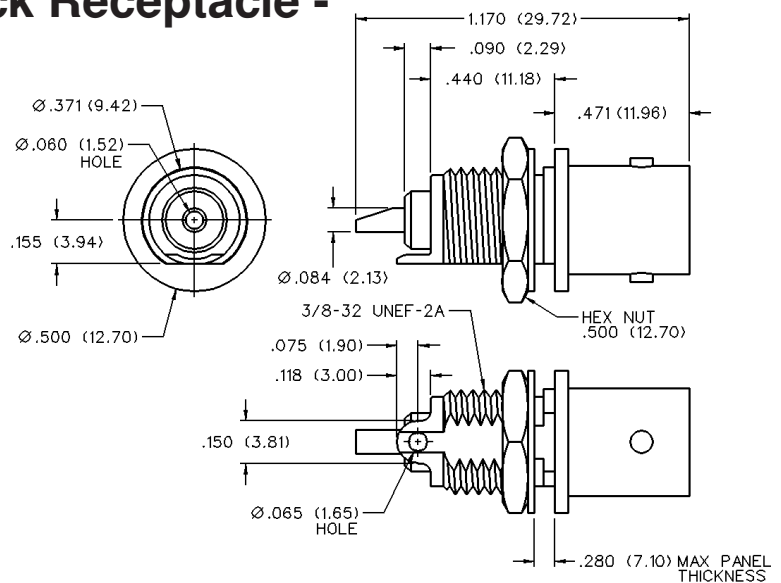


PART NO.	"A"	"B"	NOTES
CP-625U	.425 (10.80)	.183 (4.65)	w/o solder lug
CP-1094-U	.371 (9.42)	.155 (3.94)	w/o solder lug

Mounting hole layout for part number CP-625U figure 30 page 204.

Mounting hole layout for part number CP-1094-U figure 25 page 203.

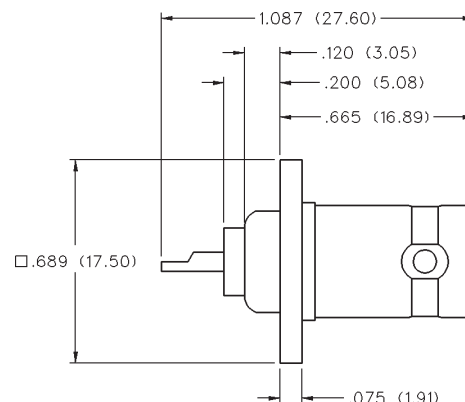
Front Mount Bulkhead Jack Receptacle - with Solder Tab



PART NO.
CP-1094-AST

Mounting hole layout figure 25 page 203.

Flange Mount Jack Receptacle



PART NO.	NOTES
CP-AD519	.126 (3.20) dia. mounting holes

Mounting hole layout figure 31 page 204.

Mouser Electronics

Authorized Distributor

Click to View Pricing, Inventory, Delivery & Lifecycle Information:

[Cinch Connectivity Solutions:](#)

[CP-1094-AST](#)