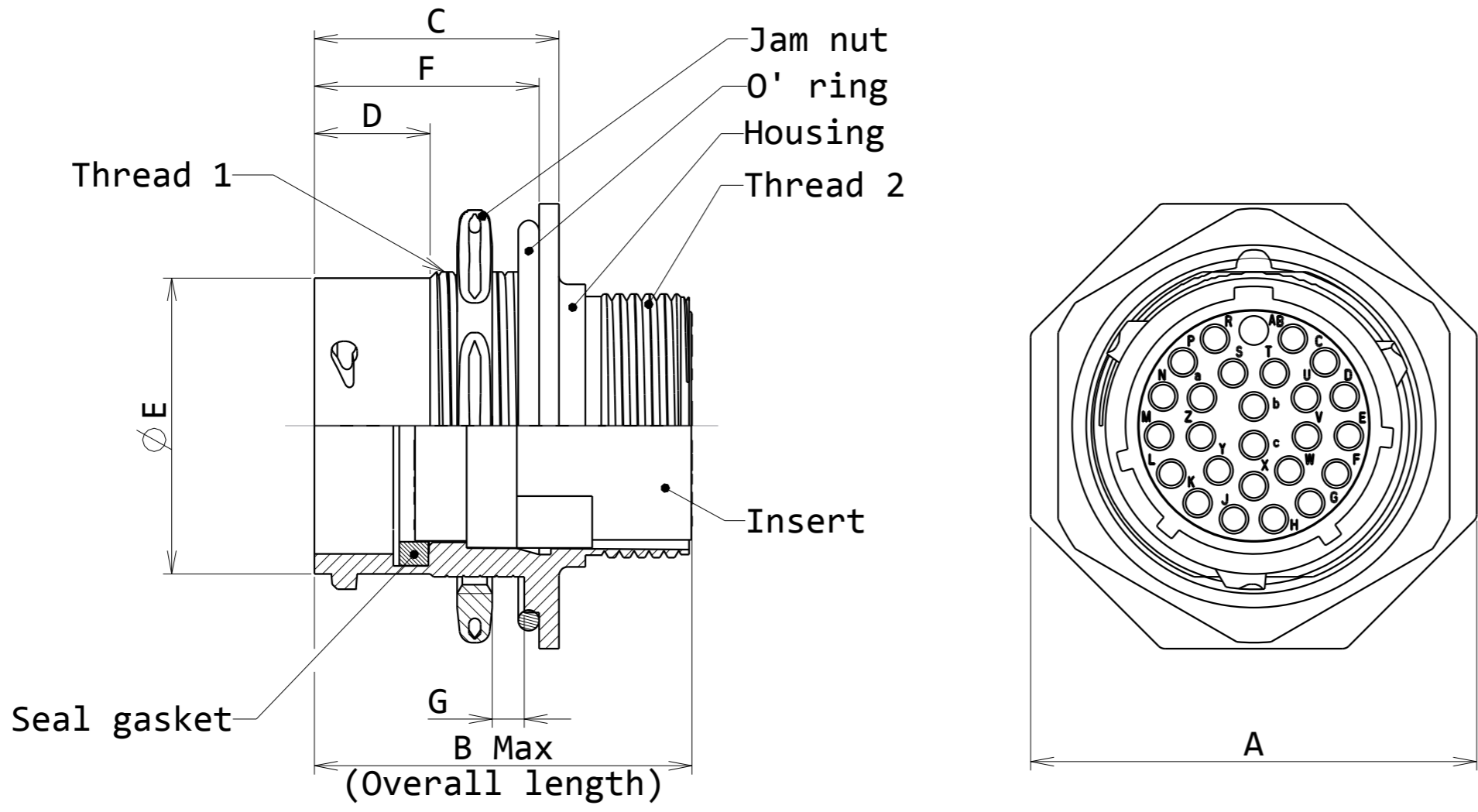


A.6; Valide



**MATERIAL :**  
 Housing : Zinc alloy nickel plated  
 Insert : PA 66 UL94 V0  
 Mating gasket : sealing IP67:Nitril  
 sealing IP68:Silicon  
 O'ring : nitril  
 Jam Nut : Aluminium alloy nickel plated

**PERFORMANCE CHARACTERISTICS :**  
 Operating temperature : -40°C up to 105°C  
 Insulation resistance : 5000 MΩ min  
 Withstanding voltage: 2000 Vrms  
 (1500 Vrms for 102w2 and 103w3 layouts)  
 Corrosion salt spray : 48 hours ( 96 hours for specification 01 )  
 Durability : 500 matings and unmatings  
 Sealing in mated conditions : IP67 / IP68 3 bars/30min as per IEC60529  
 Sealing in mated conditions : IP69K as per DIN40050  
 ROHS compliant

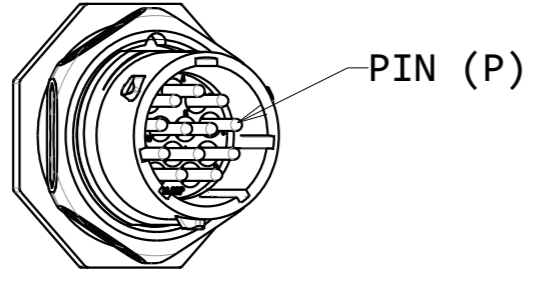
- NOTES :**
- 1- Contact identification and orientation of connector, refer to:  
 UT0-CONTACT-L-C01 (Male)  
 UT0-CONTACT-L-C02 (Female)
  - 2- Contact to be ordered separately refer to : UT0 catalog
  - 3- Insert arrangements refer to: UT0-DHP-001-C01 (Male)  
 UT0-DHP-002-C01 (Female)
  - 4- This drawing covers p/n termination : -H / -H6 / -H01 / -H601
  - 5- Packaging : connector is individually packed in a plastic bag

Part Number (Note 4)	Thread 1 (for information)	Thread 2 (for information)	A ±0.5	B Max (Overall length)		C ±0.2	D ±0.2	Ø E +0.10 -0.02	F +0.40 0	G Max (Panel Thickness)	Torque on nut max (Nm)
				Male	Female						
UT07102W2--H-	11/16-24 UNEF Class 2A	9/16-24 UNEF CLASS 2A	27	34				14.91			6
UT07103W3--H-											
UT07103--H-											
UT07104--H-											
UT071044--H-											
UT07124--H-	7/8-20 UNEF Class 2A	11/16-24 UNEF CLASS 2A	32					18.96			9
UT07128--H-											
UT07142G1--H-	1" 20 UNEF Class 2A	13/16-20 UNEF CLASS 2A	35	34	33	20.9	9.88	22.14	19.10	3.20	10
UT07147--H-											
UT07148--H-											
UT071412--H-											
UT071492--H-											
UT071619--H-	1"1/8-18 UNEF Class 2A	15/16-20 UNEF CLASS 2A	38.1					25.32			13
UT071823--H-	1" 1/4-18 UNEF Class 2A	1"1/16-18 UNEF CLASS 2A	41.3					28.49			20
UT072028--H-	1" 3/8-18 UNEF Class 2A	1"3/16-18 UNEF CLASS 2A	46	39	39	26.47	11.46	31.68	24.51		23
UT072030--H-											
UT072235--H-	1" 1/2-18 UNEF Class 2A	1"5/16-18 UNEF CLASS 2A	49.2	39	39	26.47	11.46	34.85	24.51	6.40	25
UT072238--H-											
UT072448--H-	1" 5/8-18 UNEF Class 2A	1"7/16-18 UNEF CLASS 2A	53.4	41	41	28.31	12.30	38.03	25.36		26

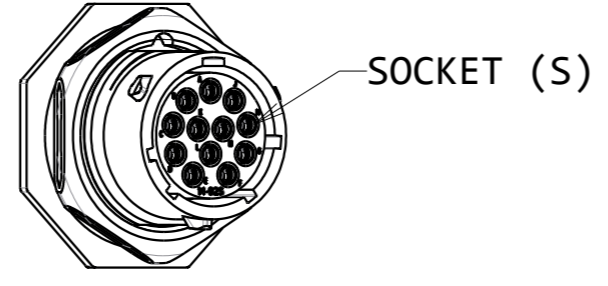
<b>UT07 10 2W2 P W H6 01</b>
Receptacle UT0 : <i>Type 7</i>
Shell size :
Insert arrangement : <i>See Note 1</i>
Contact : P : <i>Male</i> S : <i>Female</i>
Insert polarisation: <i>No letter : Standard version</i> W, X, Y, Z : <i>Differents orientation</i>
Sealing version : H : <i>IP67 version</i> H6 : <i>IP68 version</i>
Specification : <i>No letter : Standard version</i> 01 : <i>Jam nut is black anodized</i>

A	20/04/2015	_CREATION OF THE DRAWING _Cancel & replace UT07-C01	24021
ISS	DATE	Latest modification - by: COUTY L.	MOD N°
Designed by: CHANTOISEAU P. Date : 21/10/2013		CUSTOMER DRAWING	
<b>TITLE</b>		RECEPTACLE UT0 CONNECTOR	
Scale	2/1	General linear Tolerances: ± 0.1	NPRDS / PROJECT UT0
<b>SOURIAU</b>		<b>WWW.SOURIAU.COM</b>	
FORMAT		SOURIAU DRG N° C001-UT07-A	
A2		SHEET 1 / 2	

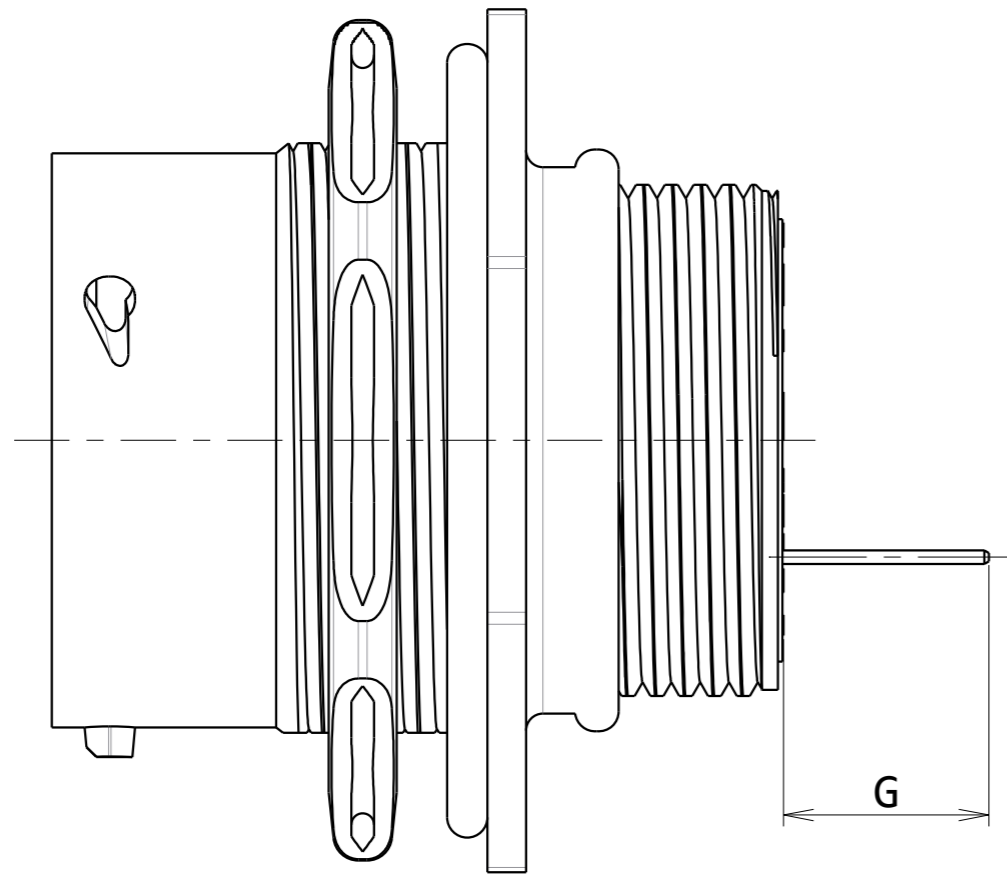
**MALE CONNECTOR**



**FEMALE CONNECTOR**



In case the connectors are equipped with dipsolder contacts



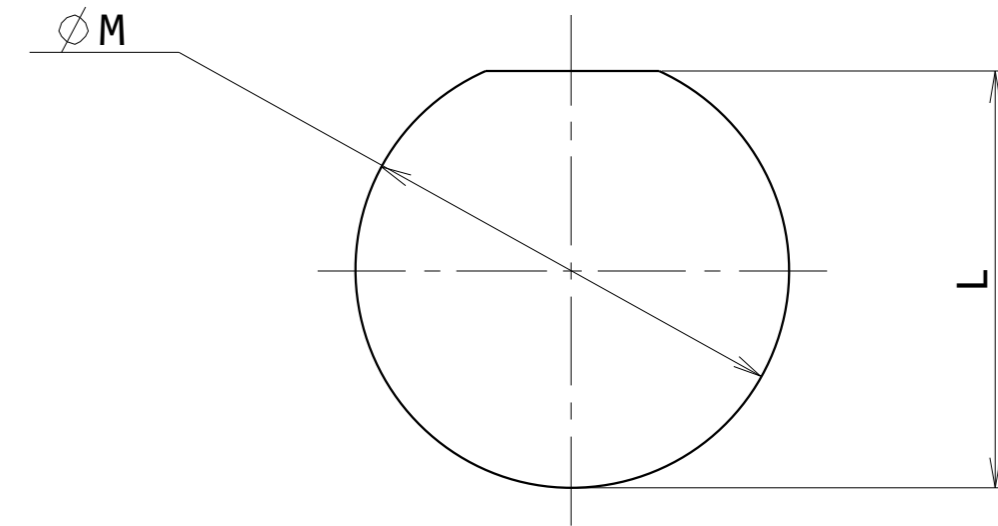
CONTACT RM20M12E84x (Male)  
or RC20M12E83x (Female)

Contacts to be ordered separately

MALE CONTACTS		
Part Number	G	
	min	max
UT07104P-H-	11.2	13.5
UT071044P-H-		
UT07128P-H-		
UT071412P-H-		
UT071492P-H-		
UT071619P-H-	7.1	9.2
UT071823P-H-		
UT072028P-H-		
UT072030P-H-		
UT072235P-H-	5.7	7.8
UT072238P-H-		
UT072448P-H-		

FEMALE CONTACTS		
Part Number	G	
	min	max
UT07104S-H-	0.45	2.45
UT071044S-H-		
UT07128S-H-		
UT071412S-H-		
UT071492S-H-		
UT071619S-H-	NOT EXISTING	
UT071823S-H-		
UT072028S-H-		
UT072030S-H-		
UT072235S-H-	NOT EXISTING	
UT072238S-H-		
UT072448S-H-		

Panel Cut Out



Part Number (Male or Female)	L	∅ M
UT07102W2--H-	16.45 <sup>+0.2</sup> <sub>0</sub>	17.30 <sup>+0.25</sup> <sub>0</sub>
UT07103W3--H-		
UT07103--H-		
UT07104--H-		
UT071044--H-	20.85 <sup>+0.3</sup> <sub>0</sub>	22.10 <sup>+0.3</sup> <sub>0</sub>
UT07124--H-		
UT07128--H-		
UT07142G1--H-	24.00 <sup>+0.3</sup> <sub>0</sub>	25.40 <sup>+0.3</sup> <sub>0</sub>
UT07147--H-		
UT07148--H-		
UT071412--H-		
UT071492--H-	27.10 <sup>+0.3</sup> <sub>0</sub>	28.20 <sup>+0.3</sup> <sub>0</sub>
UT071619--H-		
UT071823--H-	30.20 <sup>+0.3</sup> <sub>0</sub>	31.70 <sup>+0.3</sup> <sub>0</sub>
UT072028--H-	33.40 <sup>+0.3</sup> <sub>0</sub>	34.70 <sup>+0.3</sup> <sub>0</sub>
UT072030--H-		
UT072235--H-	36.60 <sup>+0.3</sup> <sub>0</sub>	37.80 <sup>+0.3</sup> <sub>0</sub>
UT072238--H-		
UT072448--H-	39.80 <sup>+0.3</sup> <sub>0</sub>	41.10 <sup>+0.3</sup> <sub>0</sub>

A	20/04/2015	_CREATION OF THE DRAWING		24021
ISS	DATE	_Cancel & replace UT07-C01		MOD N°
Designed by:		CHANTOISEAU P. Date : 21/10/2013	CUSTOMER DRAWING	
TITLE		RECEPTACLE UT0 CONNECTOR		
Scale	3/1	General linear Tolerances: ± 0.1	NPRDS / PROJECT UT0	
SOURIAU		WWW.SOURIAU.COM		This document is the property of SOURIAU. It must not be reproduced or communicated without permission.
FORMAT	A2	SOURIAU DRG N° C001-UT07-A		SHEET 2 / 2

# Mouser Electronics

Authorized Distributor

Click to View Pricing, Inventory, Delivery & Lifecycle Information:

## Souriau:

[UT072028SH01](#) [UT072028SH6](#) [UT071823PZH](#) [UT072235PH01](#) [UT072448PH](#) [UT071619SH6](#) [UT071823PH601](#)  
[UT07104SH](#) [UT071823SZH](#) [UT072028PH01](#) [UT07128SH](#) [UT072448PH01](#) [UT071823SH](#) [UT072448SH01](#)  
[UT071823PH](#) [UT071823SH6](#) [UT072028PH601](#) [UT072235SH601](#) [UT072448PH6](#) [UT072028PH6](#) [UT072235SH](#)  
[UT071619SH](#) [UT072448SH601](#) [UT072448PH601](#) [UT07142G1PH6](#) [UT072028PH](#) [UT071412SH44N](#) [UT07128PH](#)  
[UT071823SH01](#) [UT072235PH6](#) [UT072235PH601](#) [UT072028SH](#) [UT072448SH](#) [UT071823PH44N](#) [UT071412PH](#)  
[UT071823SH44N](#) [UT071823PH6](#) [UT071823PH01](#) [UT071823PXH](#) [UT072235SH6](#) [UT07128SH44N](#)  
[UT071619SH601](#) [UT072235PH](#) [UT072028SH601](#) [UT07104PH](#) [UT071823SXH](#) [UT071412SH](#) [UT072235SH01](#)  
[UT072448SH6](#) [UT071823SH601](#) [UT071619PH](#) [UT071619SWH](#) [UT071412PH601](#) [UT071492PH01](#) [UT07102W2PH](#)  
[UT07102W2SH](#) [UT071619SH01](#) [UT07148PH](#) [UT072448PYH](#) [UT07128SWH](#) [UT071619PH601](#) [UT072448SXH](#)  
[UT07104SWH](#) [UT07124SH01](#) [UT072448SYH](#) [UT07148SH6](#) [UT072235PYH](#) [UT072448PZH](#) [UT072030PH01](#)  
[UT07104PWH](#) [UT07128PWH](#) [UT07147SH601](#) [UT072448PXH](#) [UT072448PWH](#) [UT07103PH601](#) [UT071412SWH](#)  
[UT07148PH6](#) [UT072448SWH](#) [UT07128SH01](#) [UT071412SH01](#) [UT072235SZH](#) [UT071619PXH](#) [UT072235SWH](#)  
[UT071619PZH](#) [UT072235SXH](#) [UT07104SH601](#) [UT07148SH](#) [UT072030SH01](#) [UT071619PH01](#) [UT072235PWH](#)  
[UT07142G1PH](#) [UT07142G1SH601](#) [UT07147PH01](#) [UT07147PH6](#) [UT071412PH01](#) [UT07148PH601](#) [UT07103W3SH6](#)  
[UT072235PZH](#) [UT07124SH6](#) [UT07142G1PH601](#)