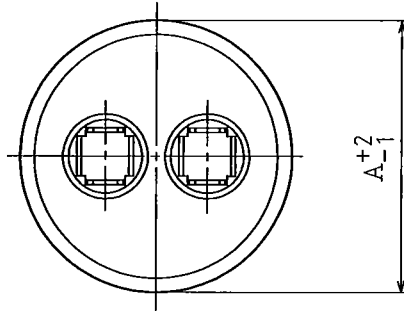


Commercial Tolerance.	Sym.	Date	Revision	Designed	Checked	Approved

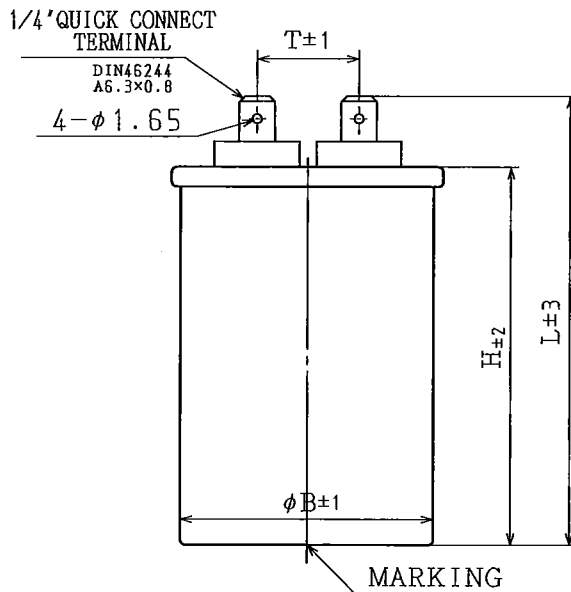


MARKING (ex.)

Panasonic
 NO PCB's
 SH-BU CAPACITOR
 (a) VAC 50/60 Hz
 (b) μF 70 °C
 PROTECTED 10 000 AFC
 CSA C22.2 No.190 46 °C
 cULus (c)
 MADE IN CHINA

Lot No.

(a) .. VOLTAGE
 (b) .. CAPACITANCE
 (c) .. UL PART No.



NOTE
 1. NEED THE SPACE OF 12mm OR MORE FROM TOP OF TERMINAL UPWARD.
 2. CAUTIONS FOR INSTALLING. DIRECTION

RATING	CODE No.	UL PART No.	DIMENSIONS (mm)				
			A	B	H	L	T
AC 370 V 25 μF	EZWP37256BAA	BUM37X2505A	43.0	41.0	100	113	16
AC 370 V 30 μF	EZWP37306BAA	BUM37X3005A	43.0	41.0	110	123	16
AC 370 V 35 μF	EZWP37356BAA	BUM37X3505B	48.0	45.0	100	113	18
AC 370 V 40 μF	EZWP37406BAA	BUM37X4005B	48.0	45.0	110	123	18
AC 370 V 45 μF	EZWP37456BAA	BUM37X4505C	53.0	50.5	100	113	18
AC 370 V 50 μF	EZWP37506BAA	BUM37X5005C	53.0	50.5	110	123	18

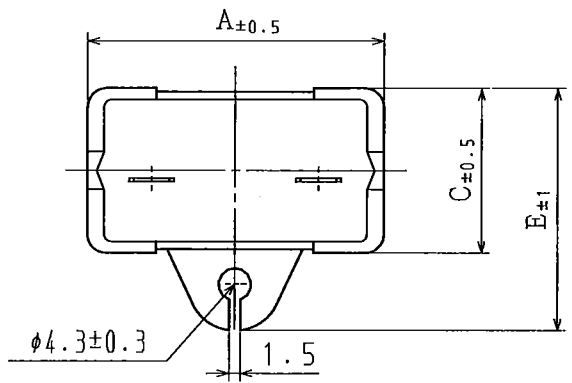
SPECIFICATION

- A. STANDARDS : JIS C 4908, UL810, CSA C22.2 No.190
- B. APPLICATION : MOTOR RUNNING
- C. CASE TEMPERATURE : -25~70 °C
- D. ELECTRICAL CHARACTERISTICS
 - 1. WITHSTAND VOLTAGE
 - 1) BETWEEN TERMINALS : THE 1.75×RATED VOLTAGE FOR 60 s
 - 2) TERMINALS TO CASE : THE 2×RATED VOLTAGE + 1 000 V FOR 60 s (min. 2 000 V)
 - 2. CAPACITANCE TOLERANCE : ±10% (min. 2 000 V)
 - 3. DISSIPATION FACTOR : LESS THAN 0.3 %
 - 4. CLASS OF OPERATION : 25 000 h
- E. PROTECTIVE DEVICE
 - EACH CAPACITOR HAS THE PROTECTIVE DEVICE
 - PROTECTIVE CAPACITOR IS LISTED UNDER UL FILE NUMBER E76560
- F. RoHS directive compliant

▲ Before using the capacitor, please read the Operating Instructions.

Scale	Designed	田中	25	Drawn	吉永	Nov.	Traced	吉永	2019	Checked	田中	Approved	福光	Name	METALLIZED FILM CAPACITOR
														No.	1KE19022X

Commercial Tolerance.	Sym.	Date	Revision	Designed	Checked	Approved

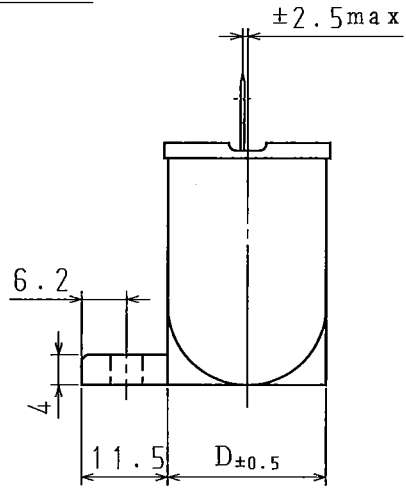
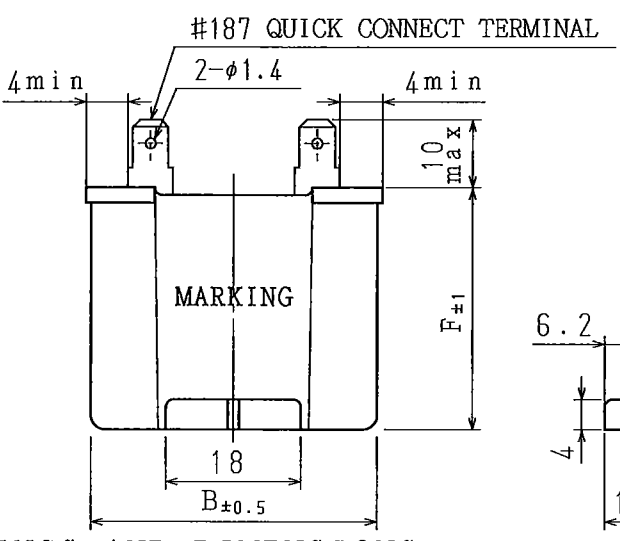


MARKING (ex.)
 <<LASER or INK>>

SH B
 (a) VAC
 (b) μF
 560-8 (c)
 50/60 Hz 20/70/21
 EN60252-1 S0 ±5 %
 CHINA

(a) ..VOLTAGE
 (b) ..CAPACITANCE
 (c) ..VDE CODE No.

Lot No.



RATINGS AND DIMENSIONS

RATING	CODE No.	VDE CODE No.	DIMENSIONS (mm)						CASE
			A	B	C	D	E	F	
AC 440 V 4 μF	EZPP44405AQA	441405A	49.7	48.3	24.0	22.5	34.5	34.5	Q4
AC 440 V 5 μF	EZPP44505AQA	441505A	50.0	48.5	26.7	25.3	37.5	38.0	Q5
AC 440 V 6 μF	EZPP44605AQA	441605A	50.0	48.5	30.5	28.8	41.0	41.5	Q6

SPECIFICATION

1. STANDARDS : JIS C 4908, EN60252-1
2. APPLICATION : MOTOR RUNNING
3. CASE TEMPERATURE : -25~70 °C
4. WITHSTAND VOLTAGE : THE 2×RATED VOLTAGE FOR 60 s
 BETWEEN TERMINALS
 TERMINAL TO CASE : THE 2×RATED VOLTAGE + 1 000 V FOR 60 s
 (min. 2 000 V)
5. CAPACITANCE TOLERANCE : ±5 %
6. DISSIPATION FACTOR : LESS THAN 0.3 %
7. INSULATION RESISTANCE : MORE THAN 2 000 MΩ/Terminal
8. CLASS OF SAFETY PROTECTION: S0
9. CLASS OF OPERATION : 25 000 h (JIS), 10 000 h (EN, Class B)
10. EACH CAPACITOR HAS NOT PROTECTIVE FUNCTION BASED ON JIS.
11. RoHS directive compliant

▲ Before using the capacitor, please read the Operating Instructions.

Scale	Designed		Drawn		Traced		Checked		Approved		Name	METALLIZED FILM CAPACITOR
											No.	1KE19023X

Mouser Electronics

Authorized Distributor

Click to View Pricing, Inventory, Delivery & Lifecycle Information:

[Panasonic:](#)

[DS371156-CA](#) [DS371456-CA](#) [DS371356-CA](#) [DS371406-CA](#) [DS371256-CA](#) [DS371306-CA](#) [DS371506-CA](#)
[DS371206-CA](#)