

CUSTOMER PRINT

W8882-10PG-5XX

PART NUMBER:

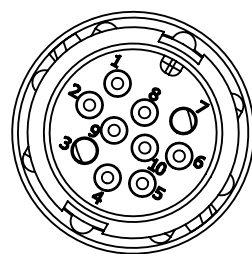
**NOTES:**

- CONTACTS ARE ASSEMBLED INTO CONNECTOR.
- PARTS ARE TO BE BAGGED AS A KIT.
- ALL DIMENSIONS ARE FOR REFERENCE ONLY.

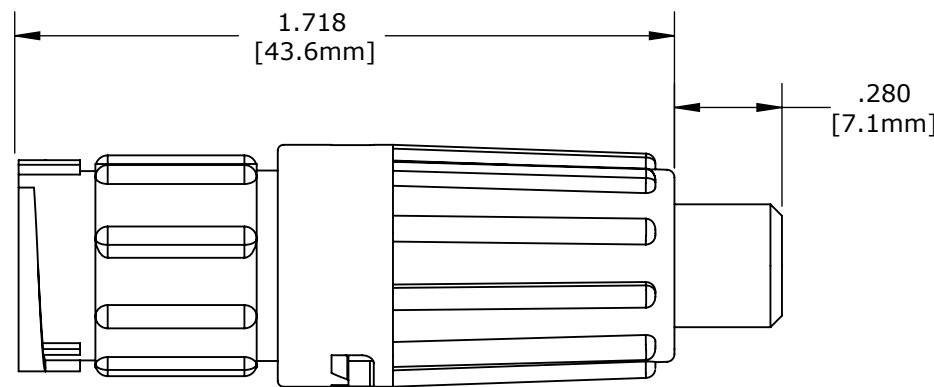
KIT PART NO.	CABLE OD.
X8882-10PG-522	.220-.250 [5.6-6.4mm]
X8882-10PG-528	.265-.285 [6.7-7.2mm]

NO. OF CONTACTS

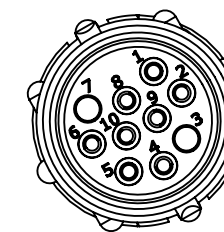
GROMMET SIZES



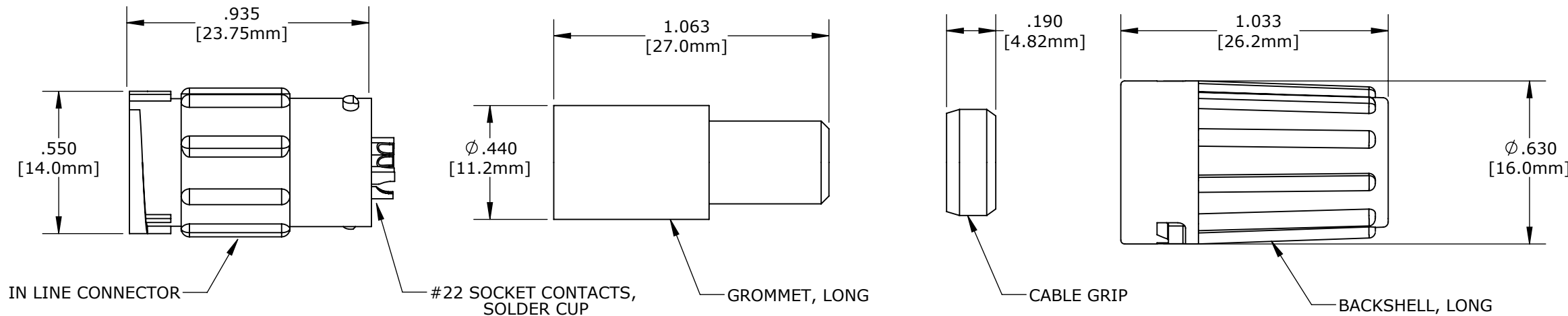
FACE VIEW



ASSEMBLED KIT VIEW  
W8882-10PG-522 SHOWN



WIRE VIEW



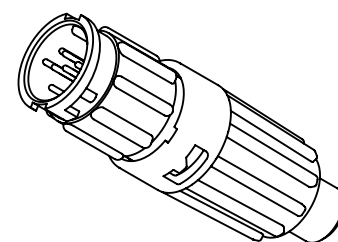
IN LINE CONNECTOR

#22 SOCKET CONTACTS, SOLDER CUP

GROMMET, LONG

CABLE GRIP

BACKSHELL, LONG



ASSEMBLED KIT FOR CUSTOMER REFERENCE

CUSTOMER DRAWING

**CUSTOMER APPROVAL**

THIS DOCUMENT CONTAINS CONFIDENTIAL INFORMATION PROPRIETARY TO CONXALL CORPORATION. ANY REPRODUCTION, DISCLOSURE, OR USE OF THIS DOCUMENT /INFORMATION IS EXPRESSLY PROHIBITED UNLESS AUTHORIZED IN WRITING BY CONXALL CORPORATION.

APPROVED BY: \_\_\_\_\_

DATE: \_\_\_\_\_

0A	AM	04/05/16	PREVIOUS PN WAS X13015-8882-10PG-XXX_REV0A
REV.	INIT.	DATE	DESCRIPTION
	AM	04/05/16	ORIG. DRAWN BY: DATE: AM 04/05/16
ALL INFORMATION ILLUSTRATED IS THE PROPERTY OF CONXALL CORPORATION. UNAUTHORIZED DUPLICATION OR DISTRIBUTION OF THIS DOCUMENT IS PROHIBITED.			<p>601 E. WILDWOOD VILLA PARK, IL 60181</p>
UNLESS OTHERWISE SPECIFIED TOLERANCES: 3 PLACE DECIMALS ±.005 ANGLES ±1° FRACTIONS ±1/16			
APPROVED BY:		SCALE	SIZE
		NTS	B
		SHEET	1 OF 1
FILE:	DIRECTORY:	PART NUMBER:	REV
	SLW	W8882-10PG-5XX	0A

TITLE: IN-LINE CONNECTOR, KIT (10) #22 SOCKET CONTACT, SOLDER MINI-CON-X  
CUSTOMER: STANDARD PRODUCT

# Mouser Electronics

Authorized Distributor

Click to View Pricing, Inventory, Delivery & Lifecycle Information:

## Switchcraft:

[W8882-10PG-528](#) [W8882-10PG-522](#) [W6882-10PG-522](#) [W7880-10SG-300](#) [W6882-9PG-528](#) [W6882-10PG-528](#)  
[W7880-9SG-300](#) [W6882-9PG-522](#)