

# Shielded Tab-Down 1x1 RJ45

8P/8C Tab-Down Shielded RJ45 Ethernet Connectors

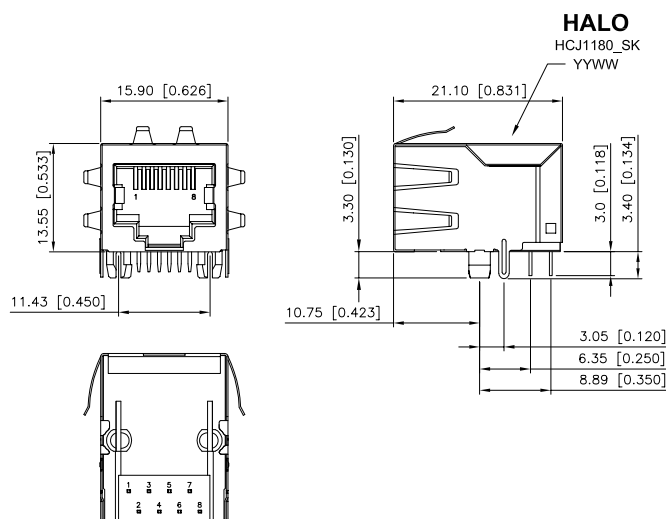


## Product Features:

- Shielded RJ45 Connectors
- Minimum of 750 Mating Cycles
- Multiple Gold Contact Plating Options
- DWV - 1500VAC Contact to Shield
- Current Rating - 1.5A
- Voltage Rating - 125V
- UL94V-0 Flammability Rating

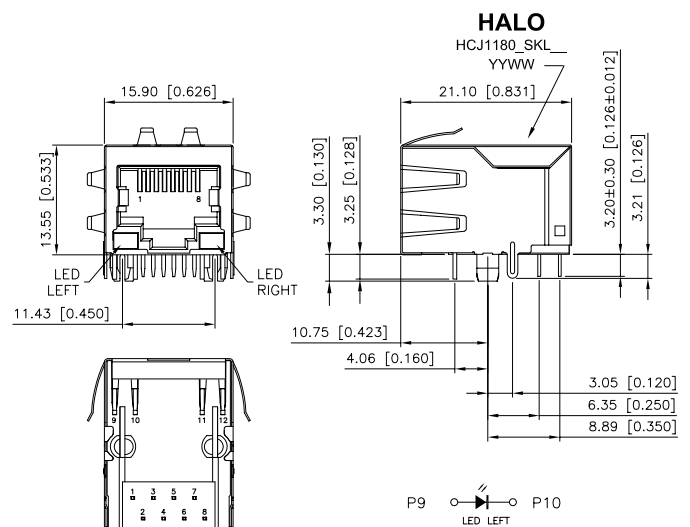
Part Number	Mechanical/ Footprint	LED's L/R	Contact Plating (min)	Latch Orientation	Operating Temp Range
HCJ11-802SK	A	None	6 $\mu$ "	Tab-Down - Side Entry	-40°C to +85°C
HCJ11-804SK	A	None	30 $\mu$ "	Tab-Down - Side Entry	-40°C to +85°C
HCJ11-805SK	A	None	50 $\mu$ "	Tab-Down - Side Entry	-40°C to +85°C
HCJ11-802SK-L11	B	G/G	6 $\mu$ "	Tab-Down - Side Entry	-40°C to +85°C
HCJ11-804SK-L11	B	G/G	30 $\mu$ "	Tab-Down - Side Entry	-40°C to +85°C
HCJ11-805SK-L11	B	G/G	50 $\mu$ "	Tab-Down - Side Entry	-40°C to +85°C
HCJ11-802SK-L12	B	G/Y	6 $\mu$ "	Tab-Down - Side Entry	-40°C to +85°C
HCJ11-804SK-L12	B	G/Y	30 $\mu$ "	Tab-Down - Side Entry	-40°C to +85°C
HCJ11-805SK-L12	B	G/Y	50 $\mu$ "	Tab-Down - Side Entry	-40°C to +85°C

## A - Mechanical (no LED)

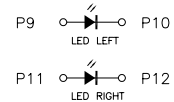


DIMENSIONS: mm [inch]  
TOLERANCE: .XX  $\pm$ 0.25[0.010]  
.X  $\pm$ 0.30[0.012]

## B - Mechanical (w/ LED)

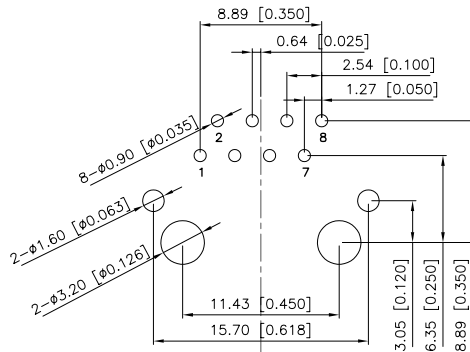


DIMENSIONS: mm [inch]  
TOLERANCE: .XX  $\pm$ 0.25[0.010]  
.X  $\pm$ 0.30[0.012]



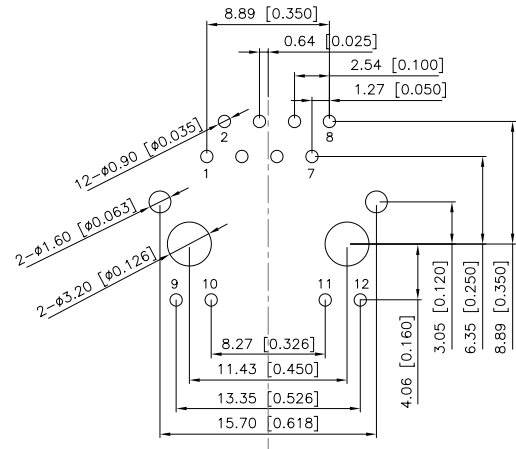
# HALO 8P/8C Shielded Tab-Down RJ45

## A - Recommended Footprint (no LED)



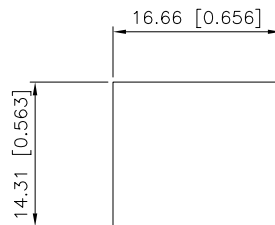
RECOMMENDED PCB LAYOUT (TOP VIEW)  
DIMENSIONAL TOLERANCE:  $\pm 0.08 [0.003]$

## B - Recommended Footprint (w/ LED)



RECOMMENDED PCB LAYOUT (TOP VIEW)  
DIMENSIONAL TOLERANCE:  $\pm 0.08 [0.003]$

## Recommended Panel Cutout



RECOMMENDED  
PANEL CUTOUT DIMENSION

### Notes:

1. Unshielded, alternate footprints, and EMI tab variations available. Please contact the factory for additional information.
2. LED Colors; G=Green, Y=Yellow. Additional LED colors available.
3. Part specific datasheets upon request



2880 Lakeside Drive #116  
Santa Clara, CA 95054  
(650) 903-3800  
[www.haloelectronics.com](http://www.haloelectronics.com)

HALO® Electronics is a leading supplier of high quality communication magnetics including signal transformers, filters, CMR chokes, PoE power transformers, DC/DC converters, and integrated Ethernet connectors. HALO's leading edge technology solutions are manufactured in ISO9001 and ISO14001 factories offering high quality products at a competitive price.

# Mouser Electronics

Authorized Distributor

Click to View Pricing, Inventory, Delivery & Lifecycle Information:

## HALO Electronics:

[HCJ11-804SK-L11](#) [HCJ11-805SK](#) [HCJ11-802SK](#) [HCJ11-804SK-L12](#) [HCJ11-805SK-L11](#) [HCJ11-802SK-L11](#)  
[HCJ11-804SK](#) [HCJ11-805SK-L12](#) [HCJ11-802SK-L12](#)