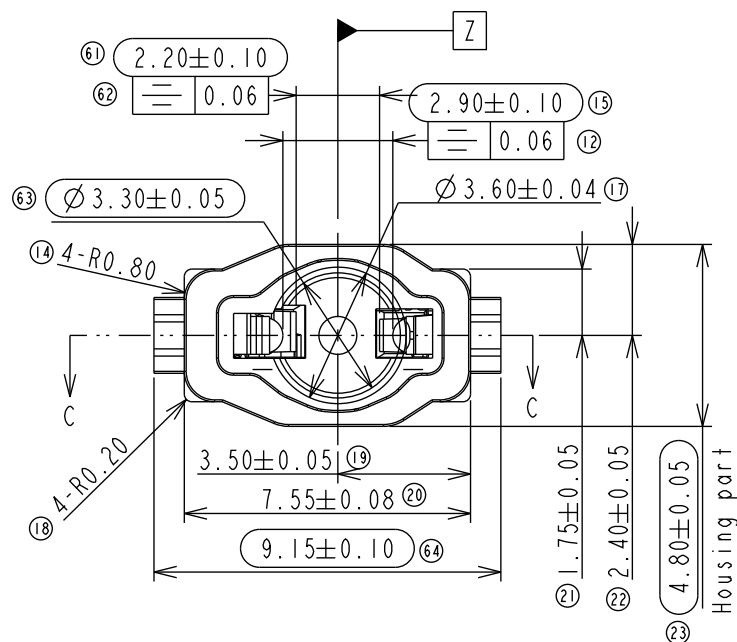
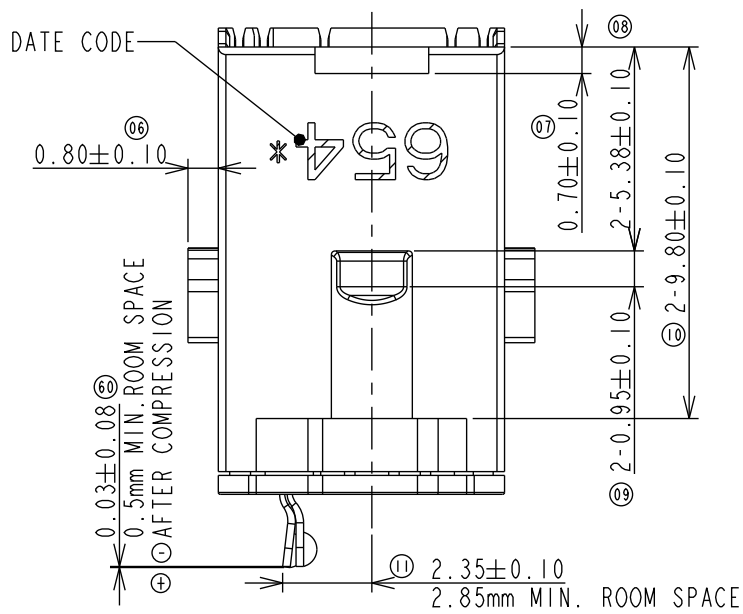
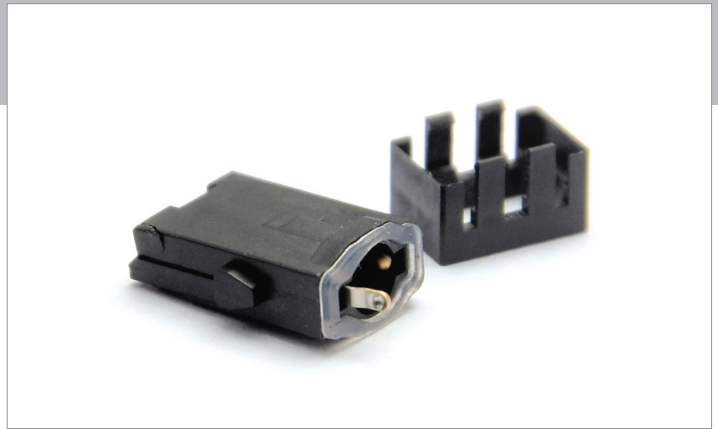


# Audio Jack

PART #: 103-C5750-00535

## KEY FEATURES

- 12.30L x 7.55W x 3.50H mm
- Low profile
- Waterproof level: IPX8
- O-ring type
- Top mount
- Normal open switch



# Mouser Electronics

Authorized Distributor

Click to View Pricing, Inventory, Delivery & Lifecycle Information:

[Amphenol:](#)

[103-C5750-00535](#)