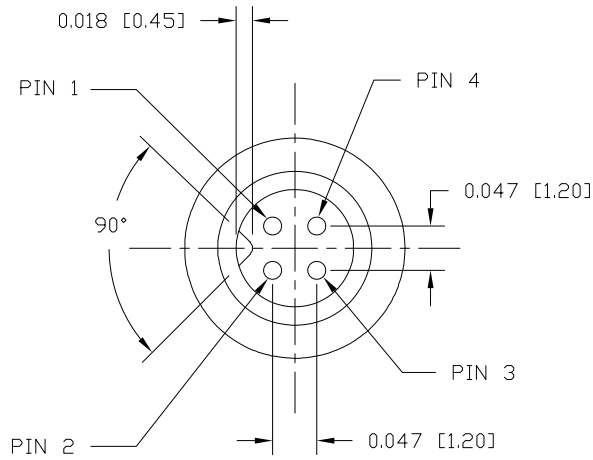


DESCRIPTION: M5 MALE - CABLE MOUNT - SOLDER CUP - 4 POSITION - SHIELDED



NOTE:

MATERIAL

HOUSING: TPU, BLACK
 CONTACT: BRASS
 NUT: BRASS
 SHELL: BRASS

FINISH

CONTACT: GOLD PLATED
 OVER 50µ NICKEL
 NUT: NICKEL PLATED
 SHELL: BRIGHT TIN PLATED

ELECTRICAL

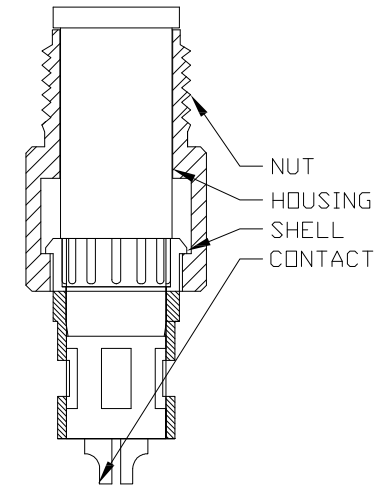
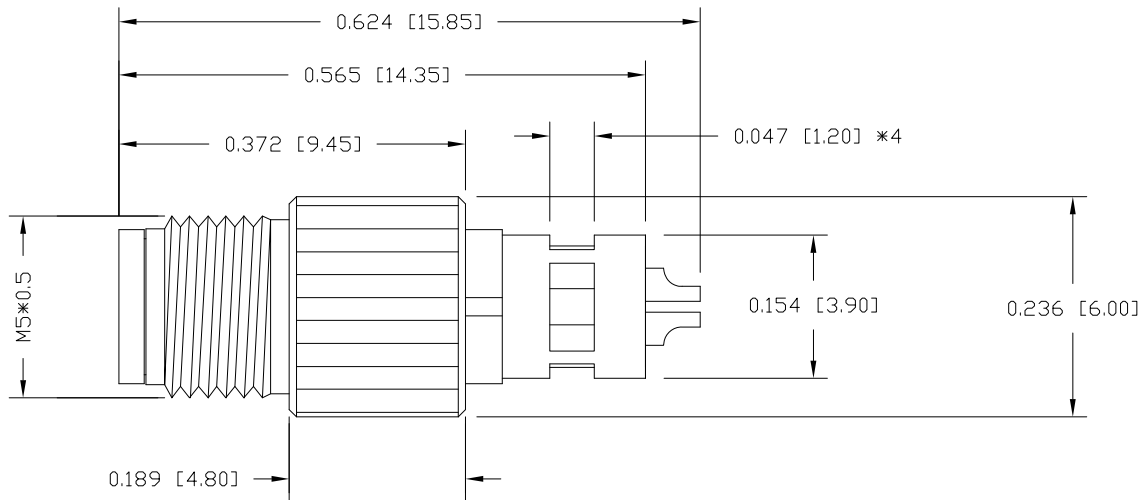
RATED CURRENT: 1A
 RATED VOLTAGE: 60V
 INSULATION RESISTANCE: 100 MΩhms MIN.
 CONTACT RESISTANCE: 10 mΩhms MAX.
 WATER PROOF: IP67

ENVIRONMENT

OPERATION TEMPERATURE: -40°C TO +85°C
 WIRE GAUGE: 26-28 AWG

850-004-103RLSY

1 = GOLD FLASH
 4 = 10µ" GOLD



RoHS COMPLIANT

UNITS = inch [mm]

DO NOT SCALE FROM DRAWING



THESE DRAWINGS AND SPECIFICATIONS ARE THE PROPERTY OF NorComp AND SHALL NOT BE REPRODUCED, COPIED OR USED AS THE BASIS FOR THE MANUFACTURE OR SALE OF APPARATUS WITHOUT WRITTEN PERMISSION.

DRAWN:

M. SIGMON

DATE:

03-04-16

NorComp

SCALE: NTS

SHEET 1 OF 1

REV 4

DWG NO.

850-004-103RLSY

Mouser Electronics

Authorized Distributor

Click to View Pricing, Inventory, Delivery & Lifecycle Information:

[NorComp:](#)

[850-004-103RLS1](#) [850-004-103RLS4](#)