

max. 360 m³/h

DC axial fans

Ø 150 x 38 mm



- **Material:** Housing: Die-cast aluminium
Impeller: Painted sheet steel
 - **Direction of air flow:** Exhaust over struts
 - **Direction of rotation:** Counter-clockwise, seen on rotor
 - **Connection:** Via single wires AWG 22, TR 64
 - **Highlights:** Housing with grounding lug for screw M4 x 8 (Torx)
 - **Mass:** 620 g
- **Possible special versions:** (See chapter DC fans - specials)
 - Speed signal
 - Go- / NoGo-alarm
 - Alarm with limit speed
 - External temperature sensor
 - Internal temperature sensor
 - PWM control input
 - Analog control input
 - Humidity protection
 - Salt fog protection
 - Degree of protection: IP 54 / IP 68

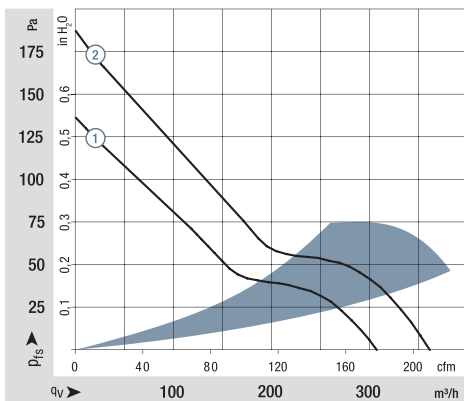
Series 7100 N

Nominal data

Type	Air flow		Nominal voltage	Voltage range	Sound pressure level	Sound power level	Sinter sleeve bearings Ball bearings	Input power*	Nominal speed	Temperature range	Service life L ₁₀ (40 °C) ebm-papst Standard	Service life L ₁₀ (T _{max}) ebm-papst Standard	Life expectancy L ₁₀ IPC (40 °C) see page 17	Curve
	m ³ /h	cfm												
7112 N	308	181	12	6...15	53	6,2	■	12,0	2 850	-25...+72	80 000 / 37 500	135 000	135 000	①
7114 N	308	181	24	12...30	53	6,2	■	12,0	2 850	-25...+72	80 000 / 37 500	135 000	135 000	①
7114 NH	360	212	24	12...26,5	58	6,7	■	19,0	3 350	-25...+72	75 000 / 35 000	127 500	127 500	②
7118 N	308	181	48	24...60	53	6,2	■	12,0	2 850	-25...+72	80 000 / 37 500	135 000	135 000	①

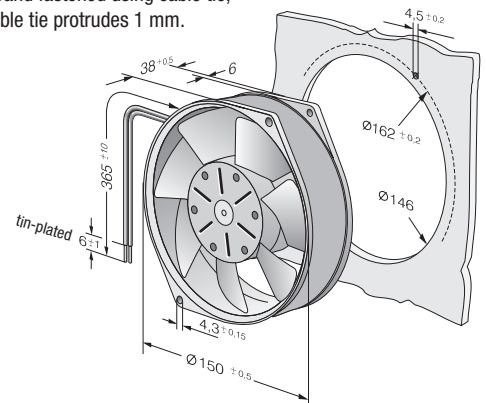
Subject to alterations

* Input power at free air flow, these values can be significantly higher in the operating point.



Air performance measured as per: ISO 5801, Installation category A, without accidental contact.
Noise: Total sound power level L_{pA} ISO 103002 measured on half-sphere of 2 m;
Sound pressure level L_{pA} measured at 1 m distance to fan axis.
The acoustic values are only valid for the described measurement set-up and may vary depending on the installation situation. In case of any deviation to the standard setup, the values have to be checked and reviewed once installed or fitted.
For detailed information see <http://www.ebmpapst.com/general-conditions>

Strand fastened using cable tie;
cable tie protrudes 1 mm.



Mouser Electronics

Authorized Distributor

Click to View Pricing, Inventory, Delivery & Lifecycle Information:

[ebm-papst:](#)

[7112N](#) [7114N](#) [7114NH](#) [7118N](#)