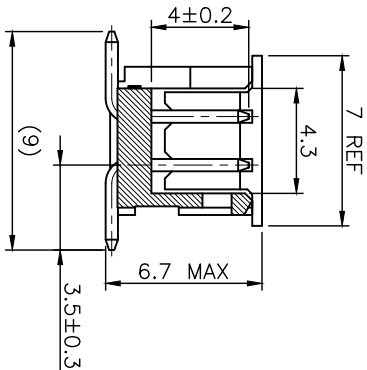
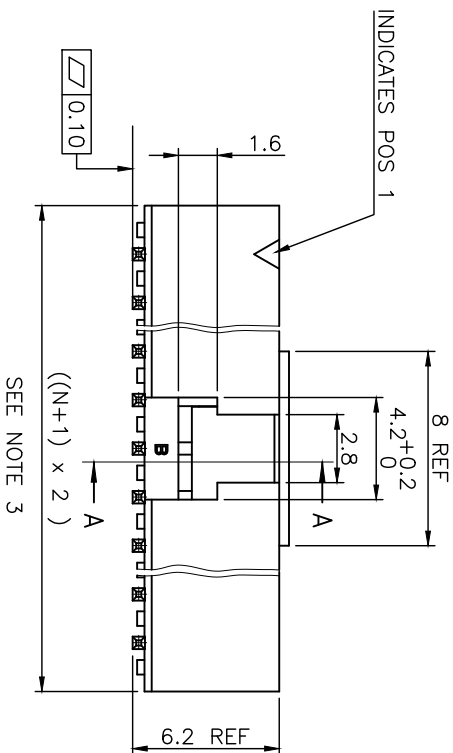
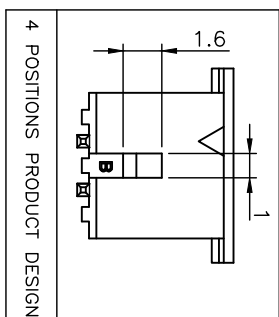
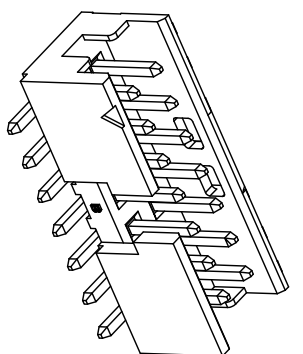
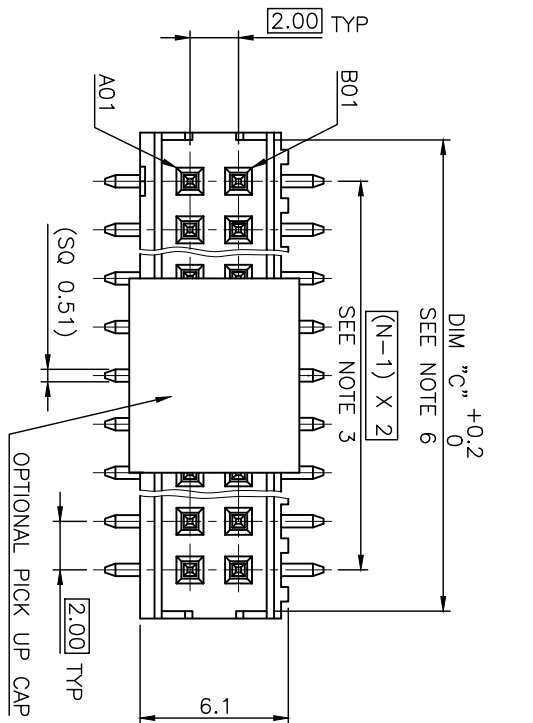
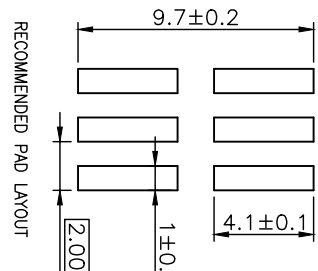


**PRODUCT NUMBER**  
98424-Y52-XX-XXXLF

- PLATING \_\_\_\_\_
- S = 0.38µm GOLD/GXT ON CONTACT AREA  
2µm MIN MATTE TIN ON TAIL
- G = 0.76µm GOLD/GXT ON CONTACT AREA  
2µm MIN MATTE TIN ON TAIL
- F = GOLD FLASH ON CONTACT AREA  
2µm MIN MATTE TIN ON TAIL
- T = 2.0-6.0µm FULL MATTE TIN
- 1.27µm Ni MIN UNDERLAYER
- ROHS COMPATIBLE, SEE NOTE 8
- POLARIZATION (SEE NOTE 7)
- PACKAGING OPTIONAL LETTER (SEE NOTE 5)
- TOTAL NB OF POSITIONS, 04 TO 50
- COLOR OPTION NOTE 1



7. FOR POLARIZATION, SPECIFIED PIN  
EXAMPLE : A03 = ROW A, POSITION 03 TO OMIT PIN  
OMIT FROM PRODUCT NUMBER IF THIS FEATURE IS NOT APPLICABLE
8. ROHS COMPATIBLE PRODUCT SPECIFICATIONS
9. PLATING:
  - "LF" MEANS THE PRODUCT IS LEAD-FREE, 2µm MINIMUM MATTE TIN OVER 1.27µm MINIMUM NICKEL UNDERPLATE.
10. MANUFACTURING PROCESS COMPATIBILITY
  - THE HOUSING WILL WITHSTAND EXPOSURE TO 260°C PEAK TEMPERATURE FOR 30 SECONDS MAX IN A CONVECTION, INFRARED OR VAPOR PHASE OR REFLOW OVEN.
11. LABELLING:
  - MEETS PACKAGING SPECS AS PER GS-14-920
  - THIS PRODUCT MEETS EUROPEAN DIRECTIVES AND OTHER COUNTRY REGULATIONS AS DISCRIBED IN GS-47-0004.



mat'l. code	SEE NOTES	surface	tolerance	projection	product family
thr	ecn no. dr	ddte	ISO 1302	ISO 406	ISO
W	B-26204 JCA	17.02.27	tolerances unless otherwise specified	XX ±0.3	
X	F-35976 DDE	20.01.24	angles	linear XXX ±0.13	
Y	F-40048 DDE	21.02.19	linear	XXXX ±0.05	scale 1:1
T	B-19797 AMA	14.12.16	engn	L.MULIN	04.09.27
U	B-19988 LMU	15.01.13	chr	J.COMPAIGNON	04.09.27
V	F-23051 AMA	16.01.15	pppd	JMC	04.09.27
sheet	revision	X	B		
index	sheet	1	2		

**FCI**

product family: MINITEK

title: SHR HEADER

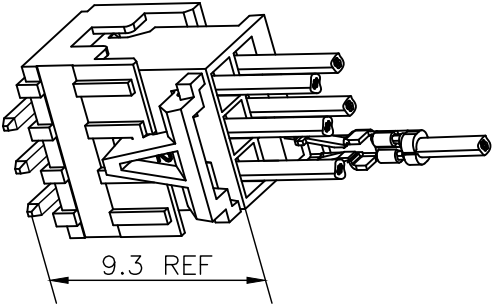
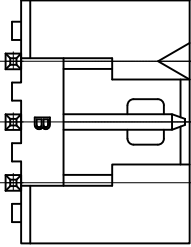
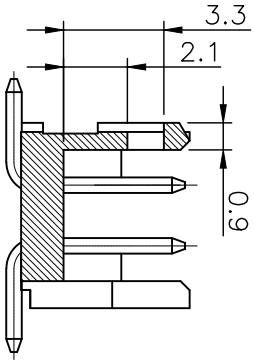
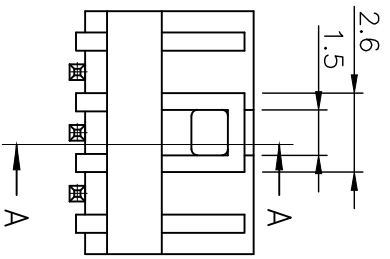
2.00 VERTICAL SMT

dwg no: 98424

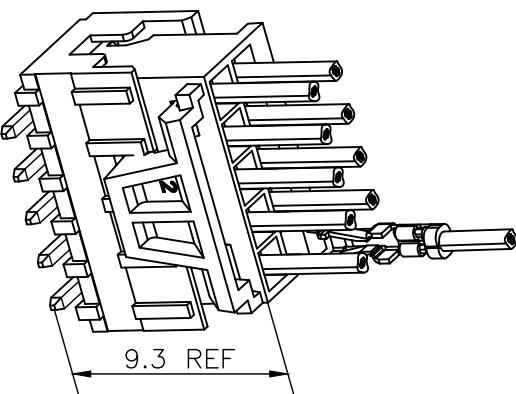
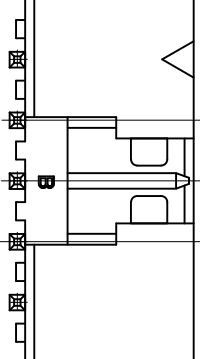
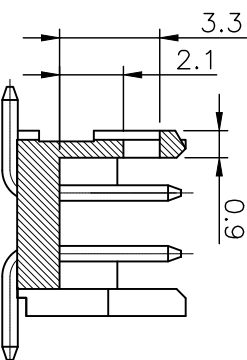
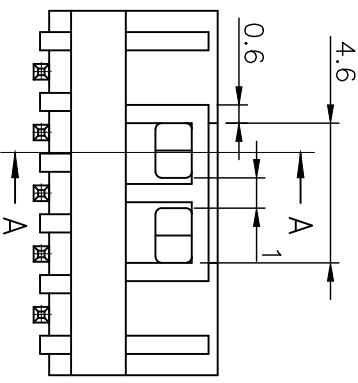
sheet 1 of 2

size: A3

type: CUSTOMER Drawing



2x3 POS AND 2x4 POS CONFIGURATION  
NO LATCHING AVAILABLE FOR 2x2 POS



2x5 POS UP TO 2x25 POS CONFIGURATION

LATCHING FEATURES WHEN USED IN COMBINATION  
WITH ACTIVE LATCH HOUSING 10073599

mat'l. code		surface		tolerance		projection		product family	
SEE NOTES		ISO 1302		ISO 406		100		MINITEK	
thr	ecn no	dr	date	tolerances unless otherwise specified		mm		title	
A	F08-0113	LMU	08.01.17	linear	XX	±0.3	→	SHR HEADER	
B	F-35976	DDE	20.01.24	XXXX	±0.13	←	←	2.00 VERTICAL SMT	
				XXXX	±0.05	scale 1:1		dwg no	
								98424	
								sheet 2 of - size	
								A3	
sheet	revision			dr	L.MULIN	07.11.06		CUSTOMER Drawing	
index	sheet			enfr	J.COMPAGNON	07.11.06			
				chr	J.M.C	07.11.06			
				qppd					