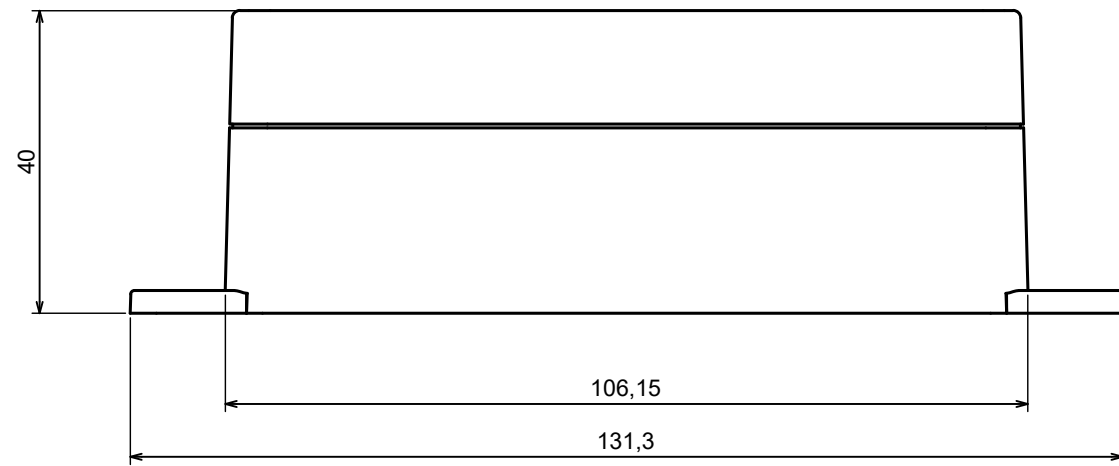
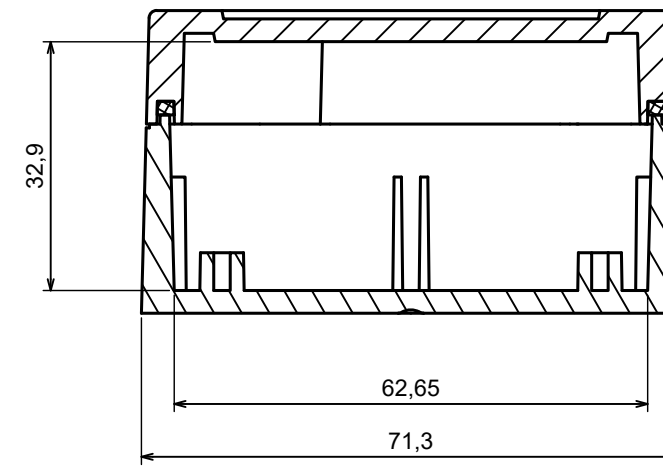


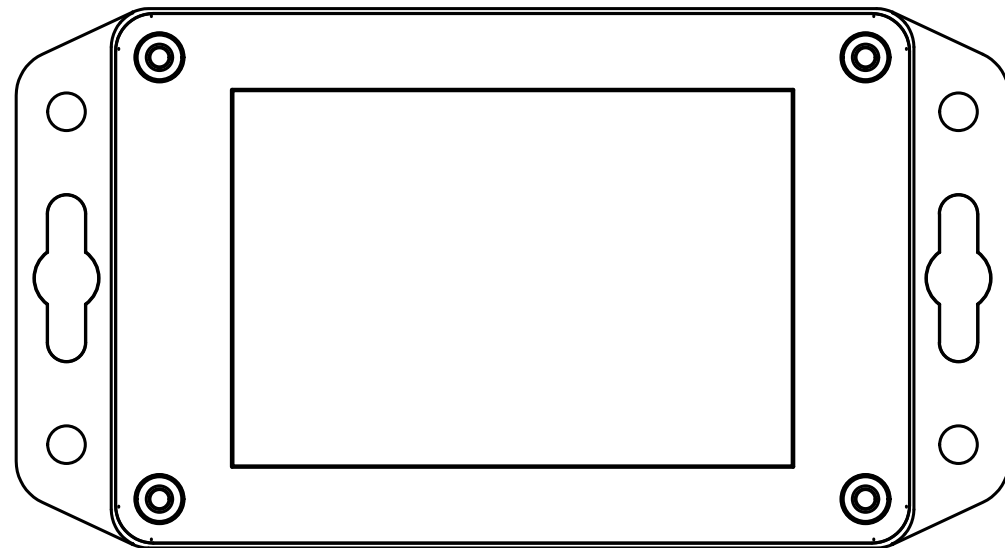
A |



A-A



A |



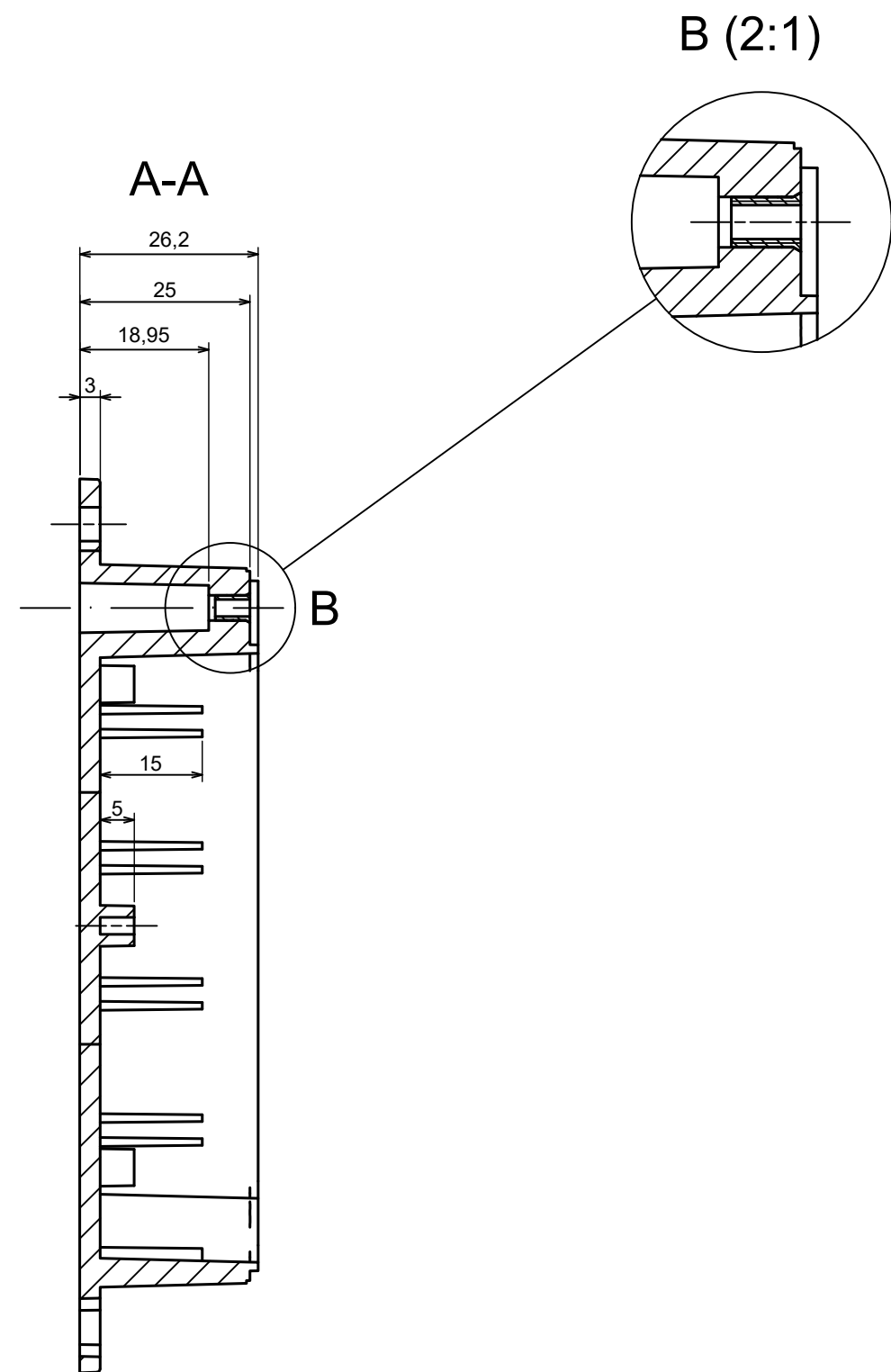
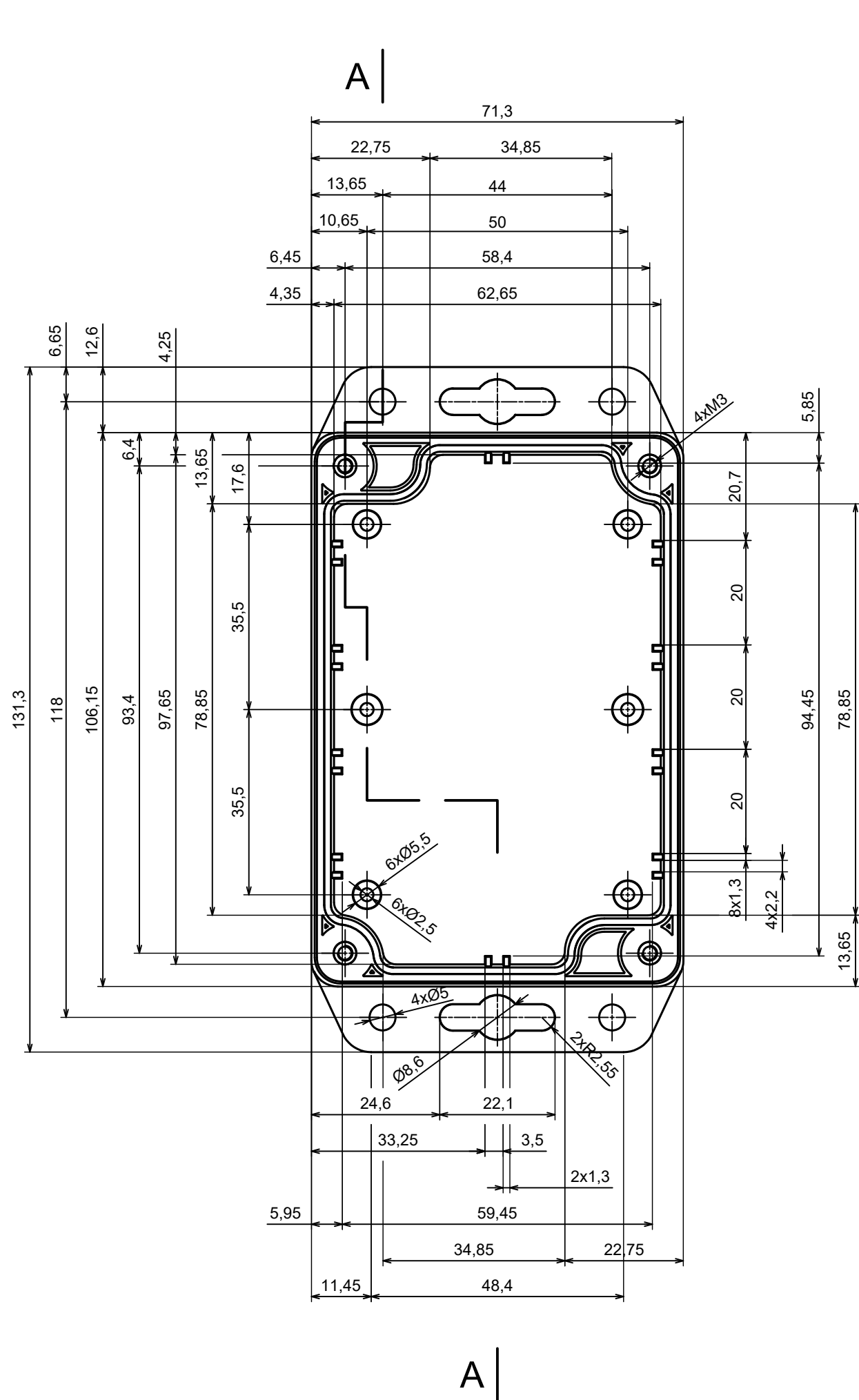
All rights reserved, Copyright Kradox 2023

Product model Enclosure Z128Sub - Assembly

Format: A3 Material: ASA

Scale 1:1 Tolerance: +/- 0.6





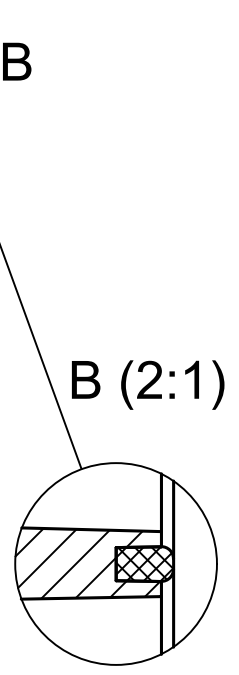
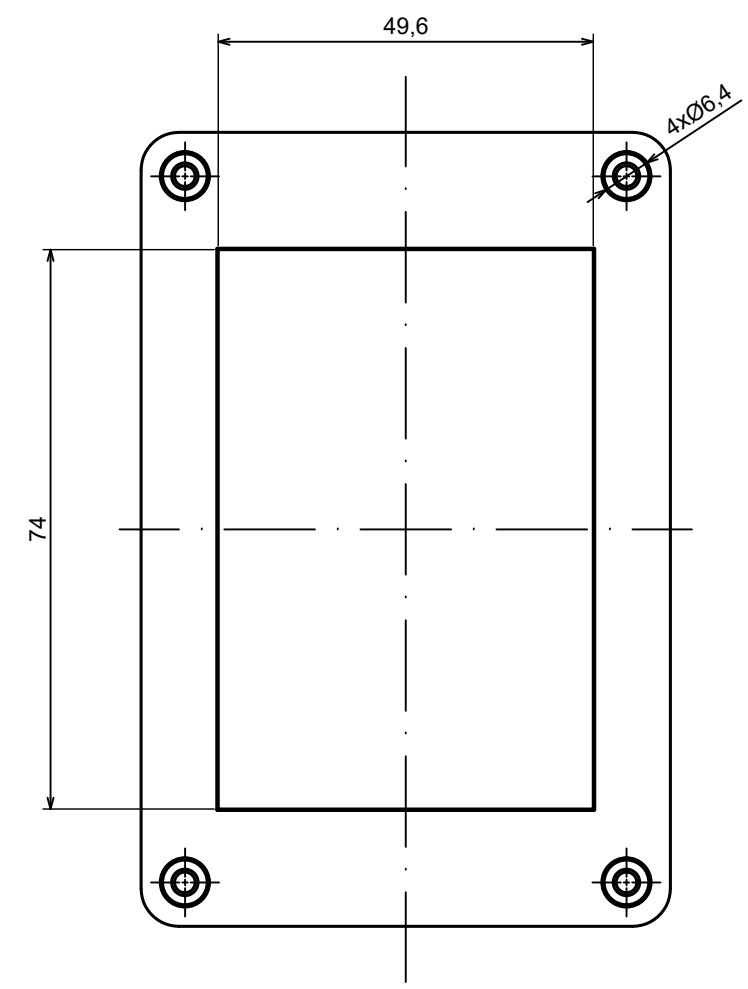
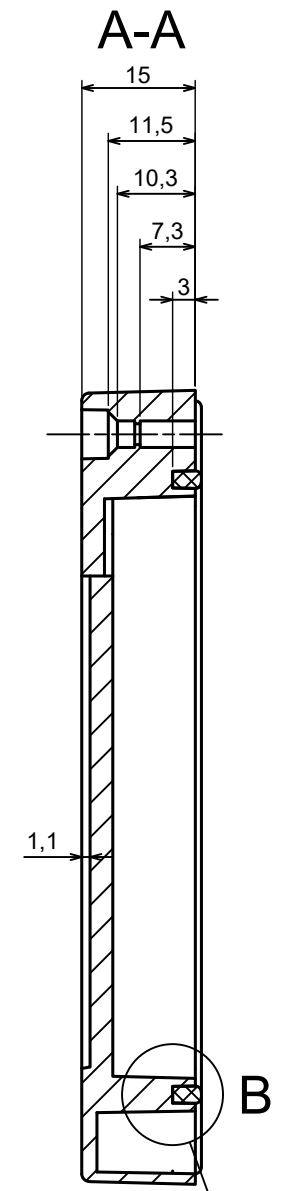
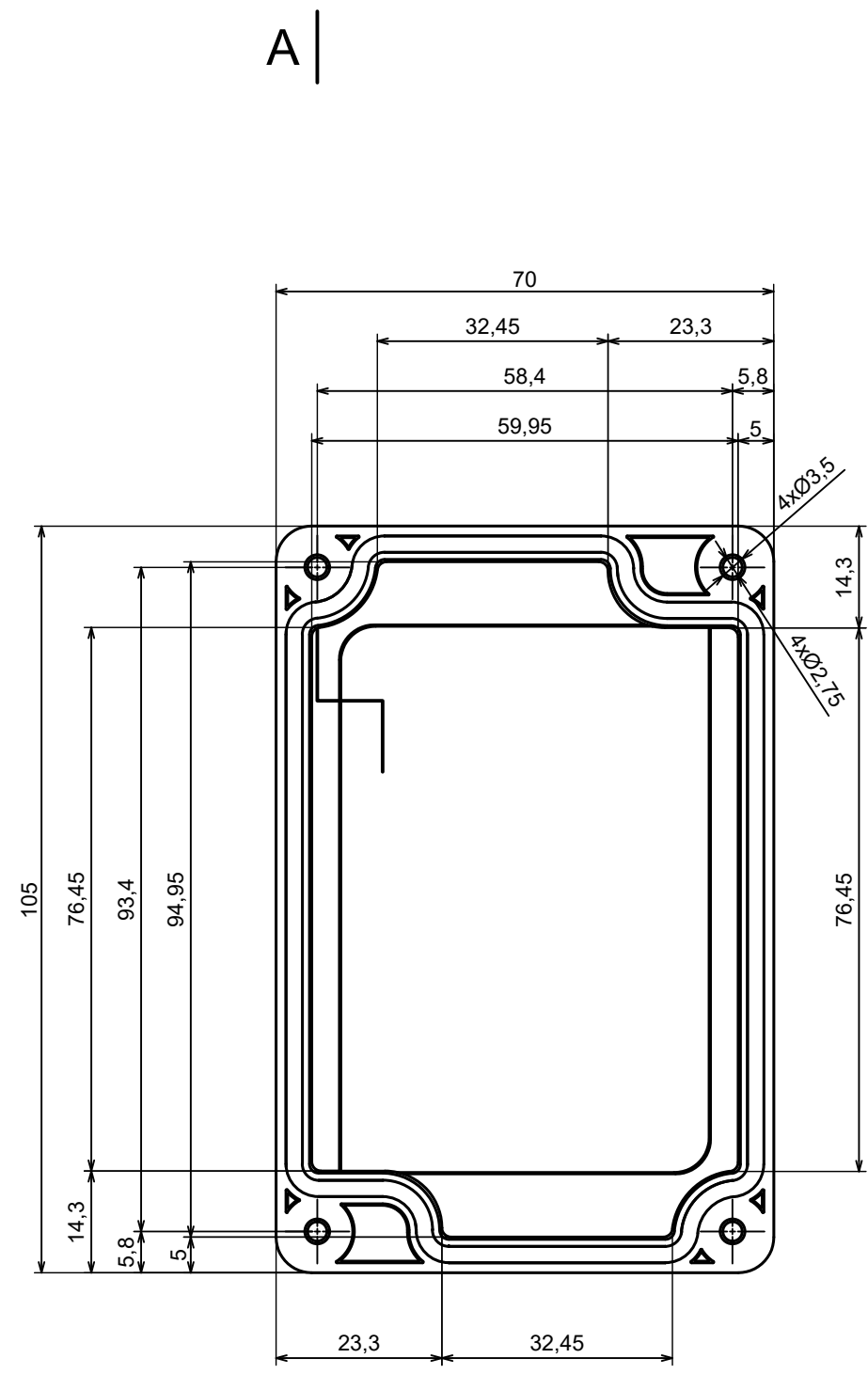
All rights reserved, Copyright Kradox 2023


Product model: Enclosure Z128Sub - Base

Format: A3 Material: ASA

Scale 1:1 Tolerance: +/- 0.6





All rights reserved, Copyright Kradox 2023		
Product model	Enclosure Z128Sub - Cover	
Format: A3	Material: ASA	
Scale 1:1	Tolerance: +/- 0.6	