

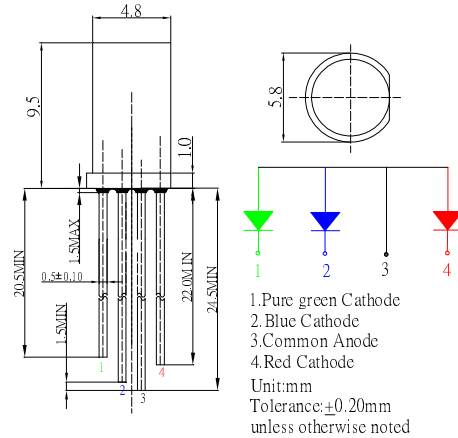
■ **Features**

- High Luminous Output
- 5mm Flat Top Standard Directivity
- White Diffused Type
- Common Anode Type

■ **Applications**

- Toys
- Games
- Audio
- Other Lighting

■ **Outline Dimension**

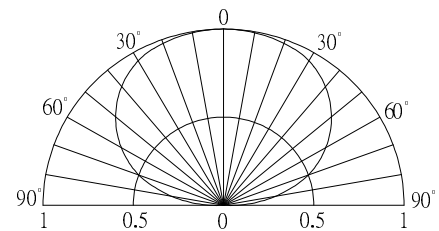


■ **Absolute Maximum Rating (Ta=25°C)**

Item	Symbol	Value		Unit
		Red	Green/Blue	
DC Forward Current	I _F	50	30	mA
Pulse Forward Current#	I _{FP}	120	100	mA
Reverse Voltage	V _R	5	5	V
Power Dissipation	P _D	130	108	mW
Operating Temperature	Topr	-30 ~ +85		°C
Storage Temperature	Tstg	-40 ~ +100		°C
Lead Soldering Temperature	Tsol	260°C/5sec		-

#Pulse width Max.10ms Duty ratio max 1/10

■ **Directivity**



■ **Electrical -Optical Characteristics (Ta=25°C)**

Item	Symbol	Condition	Min.	Typ.	Max.	Unit
DC Forward Voltage	V _F (R)	I _F =20mA	1.8	2.1	2.6	V
	V _F (B/G)	I _F =20mA	2.8	3.1	3.6	V
DC Reverse Current	I _R	V _R =5V	-	-	10	μA
Domi. Wavelength	λ _D (Red)	I _F =20mA	620	625	630	nm
	λ _D (Green)	I _F =20mA	520	525	530	nm
	λ _D (Blue)	I _F =20mA	465	470	475	nm
Luminous Intensity	I _v (Red)	I _F =20mA	220	330	-	mcd
	I _v (Green)	I _F =20mA	500	750	-	mcd
	I _v (Blue)	I _F =20mA	100	150	-	mcd
50% Power Angle	2θ _{1/2}	I _F =20mA	-	140	-	deg

*1 Tolerance of measurements of dominant wavelength is ±1nm

*2 Tolerance of measurements of luminous intensity is ±15%

*3 Tolerance of measurements of forward voltage is ±0.1V