

Rheostats

(Potentiometers) Wirewound



MODEL C

Model Type	Watts	Ohmic range	Core	Max. Voltage (RMS)*	Behind panel "B" (in./mm Ref.)	Diameter "D" (in./mm Ref.)	Dimension "C" (in./mm Ref.)	Shaft torque	Rotation (±5°)
C RCS/RCL	7.5	10.0-5K	enclosed	305	0.875/22.23	0.515/ 13.08	—	0.25-3 oz. in.	300°

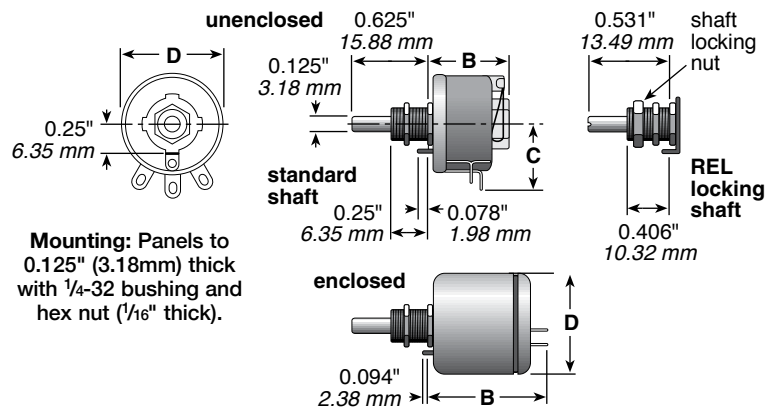
• See Catalog #203 for complete details.



MODEL E

Model Type	Watts	Ohmic range	Core	Max. Voltage (RMS)*	Behind panel "B" (in./mm Ref.)	Diameter "D" (in./mm Ref.)	Dimension "C" (in./mm Ref.)	Shaft torque	Rotation (±5°)
E RES/REL	12.5	1.0-15K	open	305	0.688/17.46	0.875/ 22.23	0.594/15.08	1-6 oz. in.	300°
E REE	12.5	1.0-15K	enclosed	305	1.219/30.96	1.047/ 26.59	—	1-6 oz. in.	300°

• See Catalog #203 for complete details.



Dimensions for reference only; consult factory for details.

Since all rheostats/potentiometers are electro-mechanical devices, they are subject to mechanical wear and, therefore, have a finite life.

Models H, J, K, L and N are listed under UL File No. E-10946 and CSA File No. 21309 unless noted otherwise.

All rheostats are 10% tolerance.

Rheostats

(Potentiometers) Wirewound

MODELS H, J, G, K, L

Model	Type	Watts	Ohmic range	Core	Max. Voltage (RMS)*	Behind panel "B" (in./mm Ref.)	Diameter "D" (in./mm Ref.)	Dimension "C" (in./mm Ref.)	Shaft torque	Rotation (±5°)
H	RHS/RHL	25	1.0-25K	open	500	1.375/34.93	1.560/ 39.62	0.940/23.88	0.25-0.5 lb. in.	300°
J	RJS	50	0.5-50K	open	750	1.375/34.93	2.31 / 58.67	1.56 /39.62	0.25-2 lb. in.	300°
G	RGS	75	0.5-50K	open	900	1.750/44.45	2.75 / 69.25	1.78 /45.21	0.5-2 lb. in.	300°
K	RKS	100	0.5-50K	open	1000	1.750/44.45	3.125/ 79.38	1.91 /48.51	0.5-2 lb. in.	300°
L	RLS	150	0.5-50K	open	1200	2.000 / 50.8	4.00 /101.60	2.28 /57.91	0.5-3 lb. in.	300°

- Models H, J, G, and K also available in enclosed versions.
- See Catalog #203 for complete details.



Mounting: Panels to 0.25" (6.35mm) thick with 3/8-32 bushing and hex nut (3/32" thick) (or with 10-32 x 0.75 flat-head screws for model L only).

MODELS P, N, R, U

Model	Type	Watts	Ohmic range	Core	Max. Voltage (RMS)*	Behind panel "B" (in./mm Ref.)	Diameter "D" (in./mm Ref.)	Dimension "C" (in./mm Ref.)	Shaft torque	Rotation (±5°)
P	RPS	225	1.0-30K	open	1300	2.125/53.98	5.00 /127.00	2.97 /75.44	2.5-4 lb. in.	310°
N	RNS	300	1.0-50K	open	1225	2.375/60.33	6.00 /152.40	3.44 /87.38	2.5-5 lb. in.	320°
R	RRS	500	1.0-20K	open	1450	2.125/53.98	8.00 /203.20	4.31/109.47	4.5-7 lb. in.	325°
U	RUS	1000	1.0-20K	open	1600	3.000 / 76.2	12.00 /304.80	6.38/162.05	3.5-7 lb. in.	335°

- See Catalog #203 for complete details.



(continued)

Mouser Electronics

Authorized Distributor

Click to View Pricing, Inventory, Delivery & Lifecycle Information:

Ohmite:

[RLS10R](#) [REE350](#) [REL3K5](#) [REE125](#) [RNS2K0](#) [RCL750](#) [RPS25R](#) [RNS2R0](#) [RJS30K](#) [RCL5K0](#) [RCL1K0](#) [RCS1K5](#)
[RPS50R](#) [RES12K5](#) [RUS100](#) [RJS40K](#) [RUS12R5](#) [RNS700](#) [RCS150](#) [RNS7R5](#) [REL350](#) [REE2R5](#) [RCS75R](#)
[RCS50R](#) [RCS15R](#) [RCS35R](#) [REL750](#) [RHL15K](#) [RGS300](#) [RGS100](#) [RJS25K](#) [RHL75R](#) [RCS750](#) [REE7K5](#) [REE250](#)
[REE2K5](#) [RNS900](#) [REL15K](#) [RNS1K2](#) [U-1-F-10-T2-P](#) [RGS2K0](#) [RLS1R0](#) [RUS1K0](#) [RJS15K](#) [RNS1K75](#) [RPS1K75](#)
[RCS200](#) [RGS500](#) [REE35R](#) [REE175](#) [REE1R0](#) [REE2R0](#) [REE5R0](#) [RCL250](#) [RPS10R](#) [RPS2R0](#) [RCL2K5](#) [RRS3R0](#)
[RLSR50](#) [REE15K](#) [REL6R0](#) [REL3R0](#) [REL8R0](#) [REE150](#) [REE50R](#) [REE15R](#) [REL75R](#) [RHL6R0](#) [RCL150](#) [RHL2K5](#)
[REL150](#) [REL1R0](#) [REL175](#) [RHL35R](#) [RES5R0](#) [REE1K5](#) [RES6R0](#) [REL12K5](#) [RCS350](#) [RRS1R5](#) [RKS2R0](#)
[RGSR50](#) [RCL350](#) [RRS80R](#) [RCL15R](#) [RCL50R](#) [RCL75R](#) [RCL35R](#) [RCL25R](#) [REE12K5](#) [REL7K5](#) [REE10K](#) [REL250](#)
[RGS1R0](#) [RGS3R0](#) [RGS2R0](#) [RES150](#) [REL1K5](#) [RCL1K5](#) [RPS7R5](#)