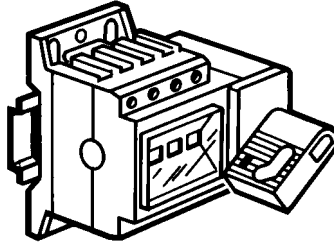


Vistop isolating switches 32 A

PRINCIPLE

Safety isolating switch for load breaking, with clearly visible isolation and positive contact action
 Double phase breaking by self-cleaning contacts with rapid make and break actions

MATERIAL

Thermoplastic polyester resin casing, self-extinguishing to 960°

STANDARDS AND APPROVALS

NF C 63-130 / NF EN 60947-3
 IEC 947-3
 BS EN 60947-3
 VDE 0660
 VERITAS
 NBN C63-408

TECHNICAL CHARACTERISTICS
Ratings

32 A: 2, 3 and 4 poles

Handle versions

- Direct side-operated, supplied with external handle accessories Available as a red handle on a yellow faceplate conforming to standards NF C 79-130, VDE 0113, IEC 204-1, EN 60204-1
- Direct front-operated with possibility of external handle to lock the door in closed circuit position (Cat. No. 227 34) Available as a red handle on a yellow faceplate conforming to standards NF C 79-130, VDE 0113, IEC 204-1, EN 60204-1

Padlock

Handle which can be padlocked in open position (for 1 to 3 padlocks Ø 6 mm)

Mounting

On rail or fixed with 4 M5 screws

Wiring

Terminals	cage
Cu connection	16 mm ²
Alu connection	10 mm ²

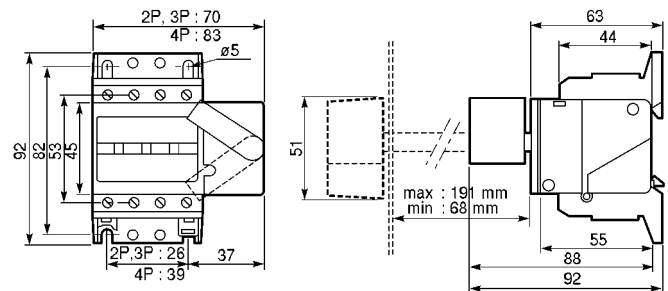
Recommended tightening torque: 2 Nm

Accessories

- External front handle
- 1st auxiliary switch for on/off signalling (N/C + N/O)
- or set of 2 auxiliary switches for on/off signalling (2N/C + 2N/O)

TECHNICAL CHARACTERISTICS (continued)
Electrical characteristics

Thermal rating	32 A
Insulation voltage	690 V
Rated current:	
AC 22 A / 500 V	32 A (20 kW)
AC 23 A / 400 V	32 A (17 kW)
500 V	20 A (14 kW)
Mechanical life (number of operations)	> 10,000
Electrical life (500 V)	> 1,500
Dynamic resistance (kA peak)	5
Permitted current for 1 s (kA rms)	1
Short-circuit current with fuses (kA rms)	100
Making capacity on short-circuit (kA prospective peak)	4

DIMENSIONS
Front handle


	Weight (kg)
2 poles	0.220
3 poles	0.240
4 poles	0.290

Vistop isolating switches 32 A

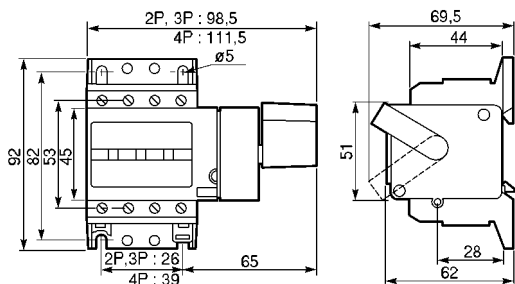
Technical sheet: FA047C

Cat. No(s): 223 00/02/05/07 - 224 98 - 225 00/02/03/05/07

Date: 24.11.95

DIMENSIONS (continued)

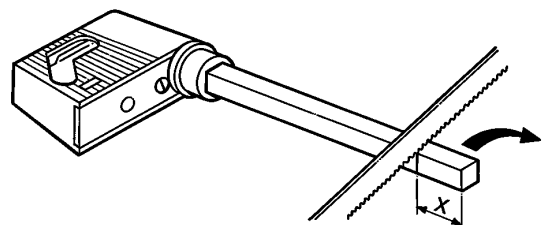
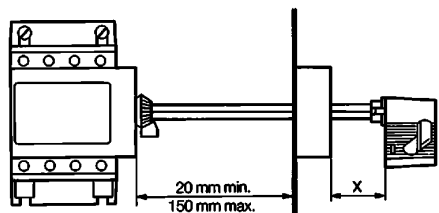
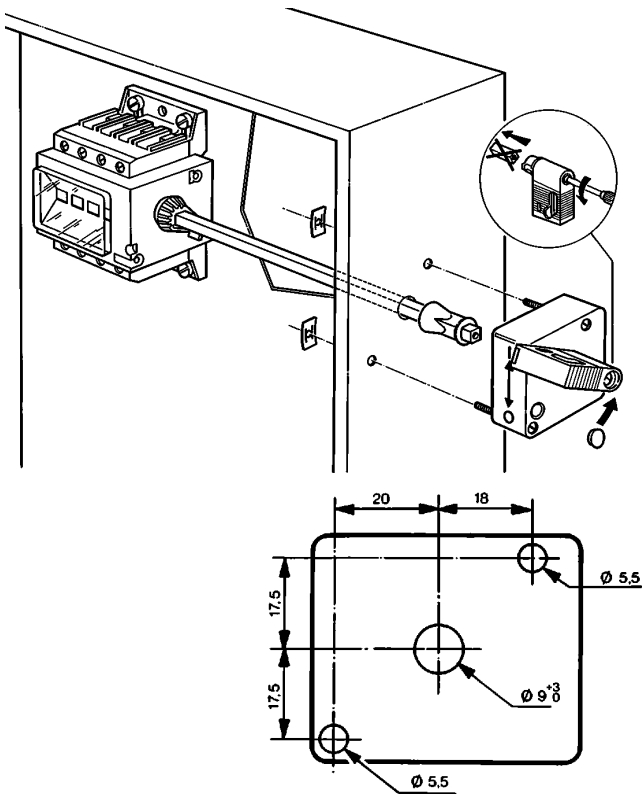
Side handle



	Weight (kg)
2 poles	0.300
3 poles	0.320
4 poles	0.370

MOUNTING

External side handle



MOUNTING (continued)

External front handle Cat. No. 227 34

