



**Mallory Sonalert Products, Inc.**

Part #:

**FL1M-12CA-1  
12mm Panel Light**

**Sales Outline Drawing**

Revision:

**B**

**Specifications:**

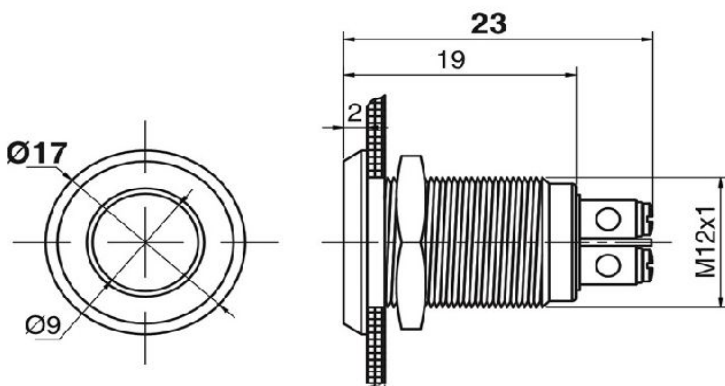
Panel Hole	12 mm
Voltage Type	AC/DC
LED Color Available	Red, Green, Blue, Yellow, or White
Lens Color	Same as LED
Rated Voltage Available	See table below
Max Current Draw	20 mA
Storage & Operating Temperature	-20 °C to +85 °C
Ingress Protection Rating	IP65
LED Life	70,000 hours
Weight (Typical)	7.9 g
Housing Material	Nickel-plated Brass, PA66, and Polycarbonate
Termination Type	Screw Terminal
Max Nut Torque	32 ft-lbs (44 Nm)
Panel Thickness	0.04-0.44" (1-11.2mm)
Hardware Kit	LM12-1-FSQ12

**RoHS Compliant**

**Dimensions (mm):**

**Part Number:**

**FL1M-12CA-1-X#V**



Rated Voltage

B=Blue  
G=Green  
R=Red  
Y=Yellow  
W=White

Length for reference only.

	Light Intensity	Dominant Wavelength	Viewing Angle
Red	1000 -1500 mcd	622 nm	150°
Green	8000 -10000 mcd	522 nm	150°
Yellow	1000 -1500 mcd	590 nm	150°
Blue	2000 - 3000 mcd	464 nm	150°

Rated Voltage	2 VAC/DC	3 VAC/DC	6 VAC/DC	12 VAC/DC	24 VAC/DC	48 VAC/DC	110 VAC/DC	220 VAC/DC	380 VAC/DC
Red	1.8-2.2V	2.7-3.3V	5.4-6.6V	10.8-13.2V	21.6-26.4V	43.2-52.8V	99-121V	198-242V	342-418V
Green	N/A	3-3.2V	5.4-6.6V	10.8-13.2V	21.6-26.4V	43.2-52.8V	99-121V	198-242V	342-418V
Blue	N/A	3.12-3.2V	5.4-6.6V	10.8-13.2V	21.6-26.4V	43.2-52.8V	99-121V	198-242V	342-418V
Yellow	2-2.2V	2.7-3.3V	5.4-6.6V	10.8-13.2V	21.6-26.4V	43.2-52.8V	99-121V	198-242V	342-418V
White	N/A	3-3.2V	5.4-6.6V	10.8-13.2V	21.6-26.4V	43.2-52.8V	99-121V	198-242V	342-418V

# Mouser Electronics

Authorized Distributor

Click to View Pricing, Inventory, Delivery & Lifecycle Information:

## Mallory Sonalert:

[FL1M-12CA-1-R24V](#) [FL1M-12CA-1-Y12V](#) [FL1M-12CA-1-R2V](#) [FL1M-12CA-1-G12V](#) [FL1M-12CA-1-G3V](#) [FL1M-12CA-1-R12V](#) [FL1M-12CA-1-R110V](#) [FL1M-12CA-1-G110V](#) [FL1M-12CA-1-Y110V](#) [FL1M-12CA-1-Y24V](#) [FL1M-12CA-1-G24V](#) [FL1M-12CA-1-Y2V](#)