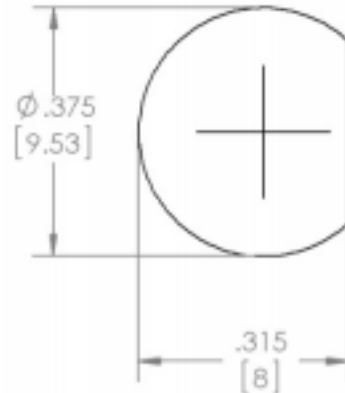


BU-P3778**(Female BNC, Panel Mount)****Recommended Mounting hole**

- The BU-P3778 is a panel mountable female BNC connector with a ground isolated from the chassis.
- Overall length 1.2" (30mm), insulated flange diameter = 0.475" (12mm)
- Mounting: Mount thru panels up to 0.25" thick with a $\varnothing 0.375$ " (9.52mm) hole.
- Material: Body Nickel-plated brass
 Contact Gold-plated beryllium copper
 Insulator PTFE
- Rating: Impedance 50 Ohms
 30VAC/60VDC Max shield/earth
 500 VRMS inner contact/shield
- RoHS 3 compliant

Mouser Electronics

Authorized Distributor

Click to View Pricing, Inventory, Delivery & Lifecycle Information:

[Mueller Electric:](#)

[BU-P3778](#)