

Customer Information Sheet

DRAWING No.: M20-791XX42R

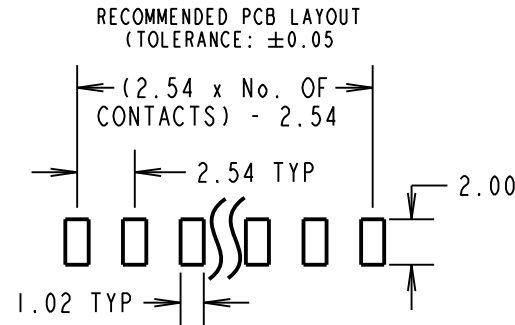
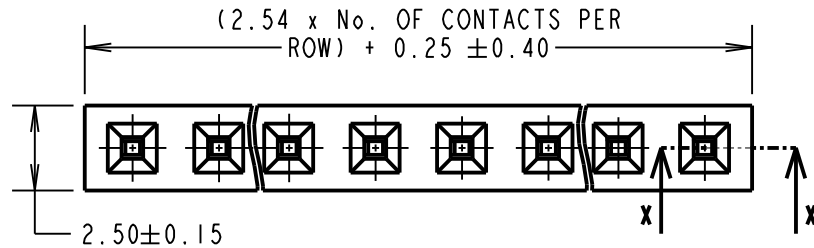
IF IN DOUBT - ASK

©

NOT TO SCALE

THIRD ANGLE PROJECTION

ALL DIMENSIONS IN mm



COMPONENT SPECIFICATIONS:

MATERIAL:
 MOULD = GLASS FILLED PA9T, UL94V-0
 CONTACTS = PHOSPHOR BRONZE

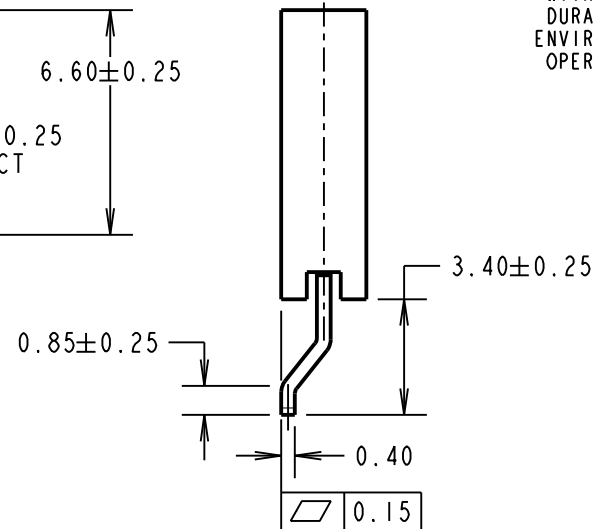
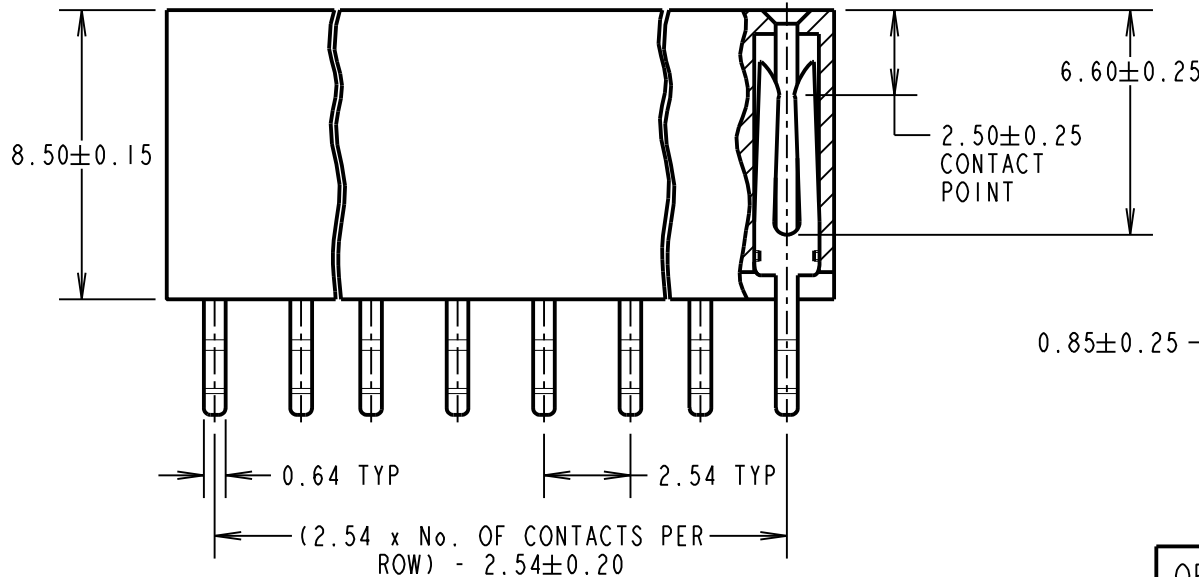
FINISH:
 0.76-2.03µm NICKEL ALL OVER,
 0.015µm MIN GOLD ON CONTACT,
 2.03-5.08µm TIN ON TAILS.

ELECTRICAL:
 CURRENT RATING = 3A
 CONTACT RESISTANCE = 20mΩ MAX
 INSULATION RESISTANCE = 1000MΩ MIN
 VOLTAGE PROOF = 1000V AC FOR ONE MINUTE

MECHANICAL:
 INSERTION FORCE = 1.96N MAX PER CONTACT
 WITHDRAWAL FORCE = 0.19N MIN PER CONTACT
 DURABILITY = 300 CYCLES MIN

ENVIRONMENTAL:
 OPERATING TEMPERATURE = -40°C TO +105°C

PART SECTION X-X



NOTES:
 1. FOR TAPE AND REEL DETAILS SEE SHEET 4.

ORDER CODE:
M20-791XX42R

No. OF CONTACTS PER ROW: _____
 02-06, 08, 10

MGP	2	28.01.19	21764
NAME	ISS.	DATE	C/NOTE
APPROVED:		MGP	
CHECKED:		SB	
DRAWN:		M.PERREN	
CUSTOMER REF.:			
ASSEMBLY DRG.:			

HARWIN

www.harwin.com
 technical@harwin.com

THIS DRAWING AND ANY INFORMATION OR DESCRIPTIVE MATTER SET OUT HEREON ARE CONFIDENTIAL AND COPYRIGHT PROPERTY OF THE HARWIN GROUP AND MUST NOT BE DISCLOSED, LOANED, COPIED OR USED FOR MANUFACTURING, TENDERING OR FOR ANY OTHER PURPOSE WITHOUT THEIR WRITTEN PERMISSION.

TOLERANCES
 X. = ±1mm
 X.X = ±0.50mm
 X.XX = ±0.10mm
 X.XXX = ±0.01mm
 ANGLES = ±5°
 UNLESS STATED

MATERIAL:
 SEE ABOVE

FINISH:
 SEE ABOVE

S/AREA:
 mm²

TITLE:
 2.54mm SOCKET SIL
 HORIZONTAL SMT TAPE & REEL

DRAWING NUMBER:
M20-791XX42R

SHT
 3
 OF
 4

Customer Information Sheet

DRAWING No.: M20-791XX42R

IF IN DOUBT - ASK

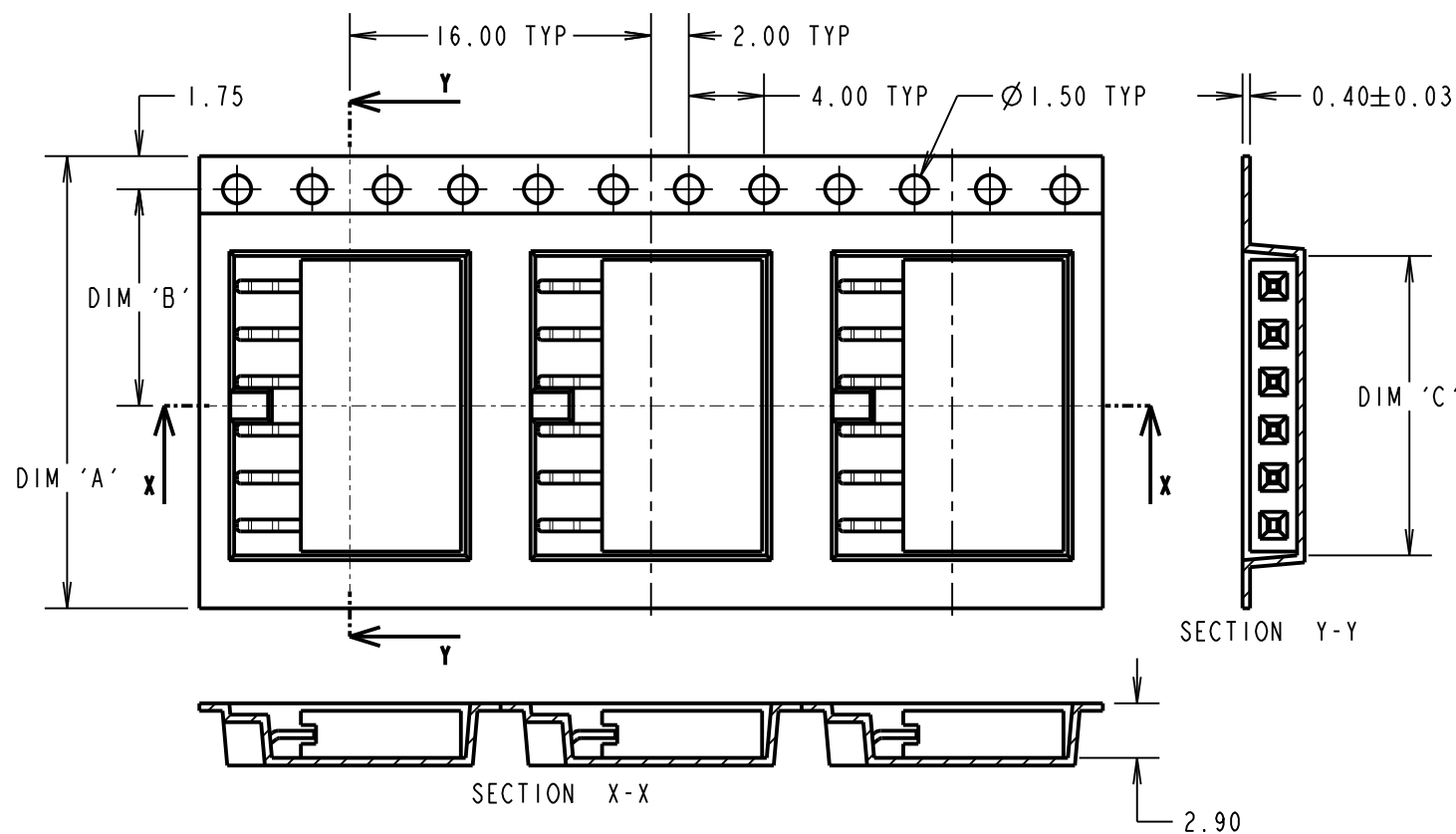
©

NOT TO SCALE

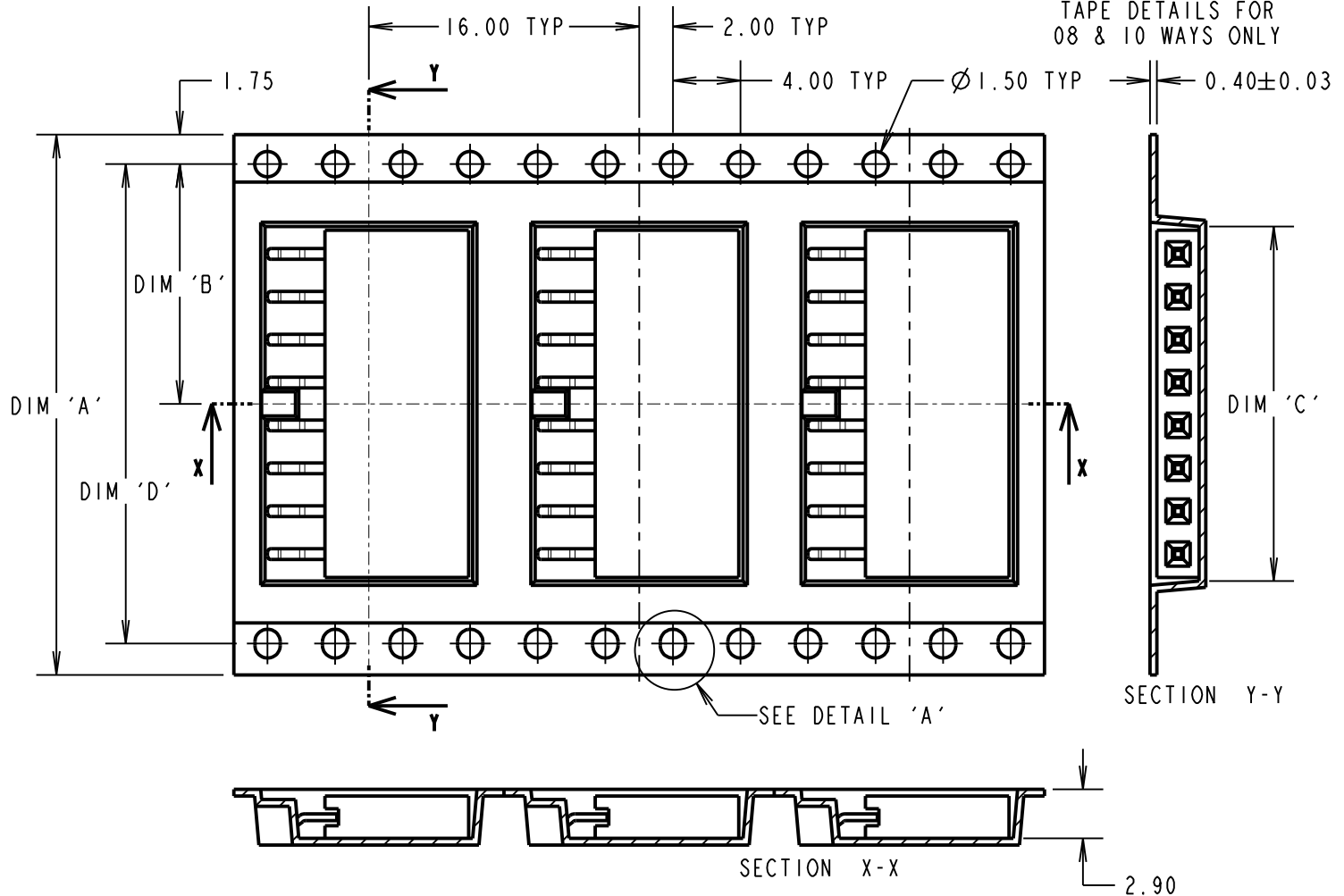
THIRD ANGLE PROJECTION

ALL DIMENSIONS IN mm

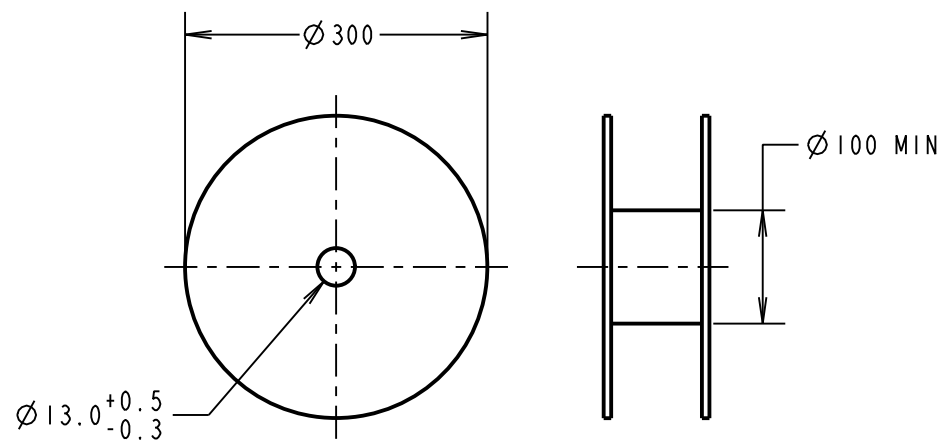
TAPE DETAILS FOR
02, 03, 04, 05 & 06 WAYS ONLY



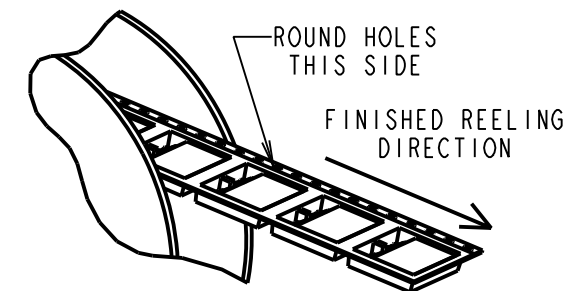
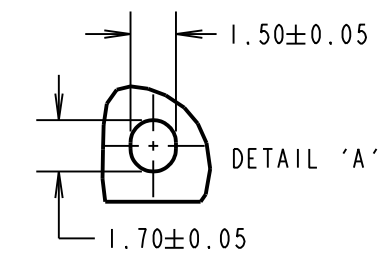
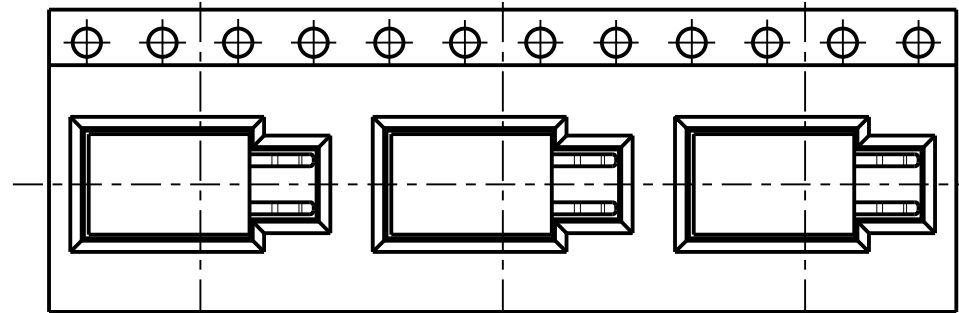
TAPE DETAILS FOR
08 & 10 WAYS ONLY



REEL DETAILS



TAPE DETAILS FOR ORIENTATION OF
02 WAY ONLY



MGP	2	28.01.19	21764
NAME	ISS.	DATE	C/NOTE
APPROVED: MGP			
CHECKED: SB			
DRAWN: M.PERREN			
CUSTOMER REF.:			
ASSEMBLY DRG:			

PART No.	DIMENSION				REEL QUANTITY
	DIM 'A'	DIM 'B'	DIM 'C'	DIM 'D'	
M20-7910242R	16.00±0.30	7.50	5.70	N/A	1300
M20-7910342R			8.30		
M20-7910442R	24.00±0.30	11.50	10.80		
M20-7910542R			13.20		
M20-7910642R			15.90		
M20-7910842R	32.00±0.30	14.20	21.00	28.40	
M20-7911042R	44.00±0.30	20.20	26.05	40.40	

NOTES:

- PRODUCT TO BE TAPE AND REELED IN GENERAL ACCORDANCE WITH EIA-481 (ELECTRONIC INDUSTRIES ASSOCIATION).
- FOR CONNECTOR DETAILS AND SPECIFICATIONS, SEE SHEET 3.

ORDER CODE:
M20-791XX42R

No. OF CONTACTS PER ROW:
02-06, 08, 10

HARWIN

www.harwin.com
technical@harwin.com

THIS DRAWING AND ANY INFORMATION OR DESCRIPTIVE MATTER SET OUT HEREON ARE CONFIDENTIAL AND COPYRIGHT PROPERTY OF THE HARWIN GROUP AND MUST NOT BE DISCLOSED, LOANED, COPIED OR USED FOR MANUFACTURING, TENDERING OR FOR ANY OTHER PURPOSE WITHOUT THEIR WRITTEN PERMISSION.

TOLERANCES
X. = ±1mm
X.X = ±0.50mm
X.XX = ±0.10mm
X.XXX = ±0.01mm
ANGLES = ±5°
UNLESS STATED

MATERIAL:
SEE SHEET 3
FINISH: SEE SHEET 3
S/AREA: mm²

TITLE:
2.54mm SOCKET SIL
HORIZONTAL SMT TAPE & REEL

DRAWING NUMBER:
M20-791XX42R

SHT
4
OF
4

Mouser Electronics

Authorized Distributor

Click to View Pricing, Inventory, Delivery & Lifecycle Information:

[Harwin:](#)

[M20-7910242R](#) [M20-7910342R](#) [M20-7910442R](#) [M20-7910542R](#) [M20-7910642R](#) [M20-7910842R](#) [M20-7911042R](#)