

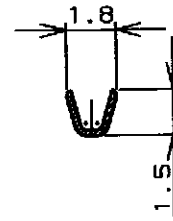
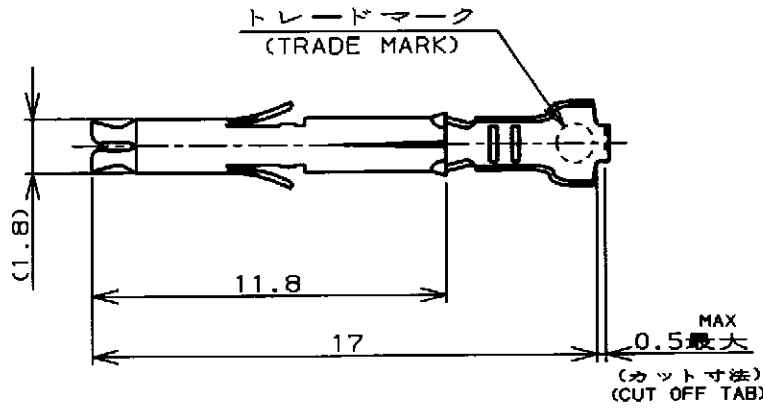
RELEASED FOR PUBLICATION

THIS DRAWING IS UNPUBLISHED.

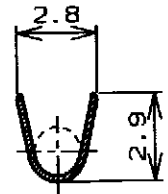
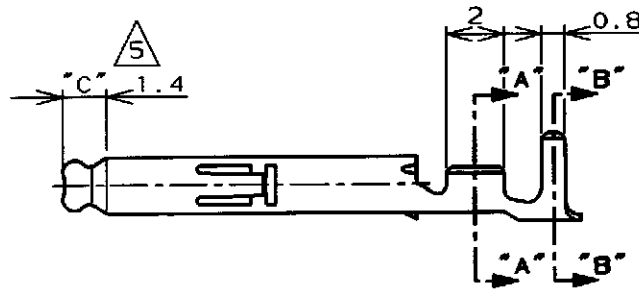
BY

© COPYRIGHT

LOC	DIST	REVISIONS				DATE	DWN	APVD
J		P	LTR	DESCRIPTION	ECO			
			C			01DEC2020	BDA	SW
			C1			29APR2021	JP	VS



断面 "A"- "A"
(SECT.)



断面 "B"- "B"
(SECT.)

NOTES;

1. APPLICABLE HOUSING : CAP AND PLUG.
2. PRODUCT SPECIFICATION 108-5138
3. APPLICATION SPECIFICATION 114-5050
4. INSTRUCTION SHEET IS-105J
5. SELECTIVE GOLD PLATED AREA "C"
0.0004mm MIN THICK OVER Ni PLATE
ON INSIDE SURFACE

	錫めつき付・磷青銅 (PRE-TIN PHOZ BRO)	-4	-4
	金めつき・黄銅 (GOLD PLATE・BRASS) 5	-3	-3
170359, 170360 170363, 170364	錫めつき付・黄銅 (PRE-TIN BRASS)	170361-1	170365-1
嵌合相手型番 (MATING P/N)	材料・仕上 (MATERIAL・FINISH)	連鎖状端子型番 (STRIP P/N)	型番 (P/N)

WIRE RANGE
抱合電線断面積
0.12~0.35mm² (AWG #26~#22)

INSULATION DIA
被覆外径
1.2~1.75mm

DIMENSIONS
単位 概
mm

TOLERANCES UNLESS
OTHERWISE SPECIFIED:
一般公差
 $\pm 0.4, \pm 1^{\circ}0'$

DWN 7. ymanoto 11, JUN. 78

CHK M. Slid 15 JUN 98

APVD M. Slid 15 JUN 98

PRODUCT SPEC
製品規格
注記参照 (SEE NOTES) 2

APPLICATION SPEC
取付通用規格
注記参照 (SEE NOTES) 3

WEIGHT

CUSTOMER DRAWING

MATERIAL 表参照
材料 (SEE TABLE) 0.2t

FINISH 表参照
仕上 (SEE TABLE)

TE TE Connectivity

NAME
名称
ミニユニバーサルメイトンロックソケットコンタクトばら状端子
MINI UNIVERSAL MATE-N-LOK SOCKET CONTACT LOOSE PIECE

SIZE A4

CAGE CODE 00779

DRAWING NO
番号
C-170365

SCALE 尺度

SHEET 1 OF 1

REV C1