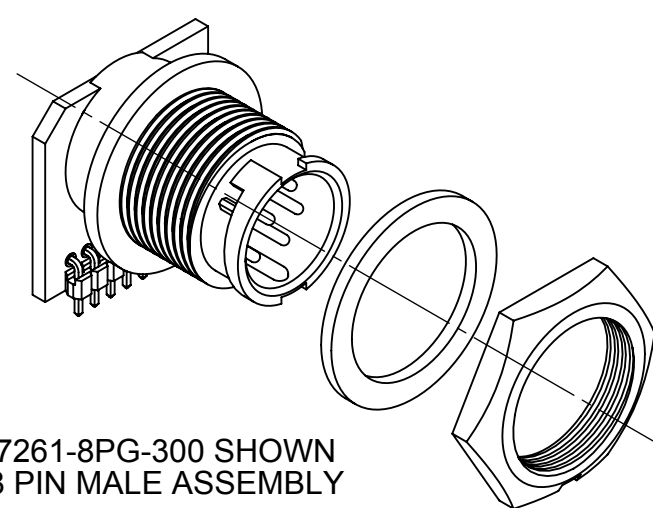
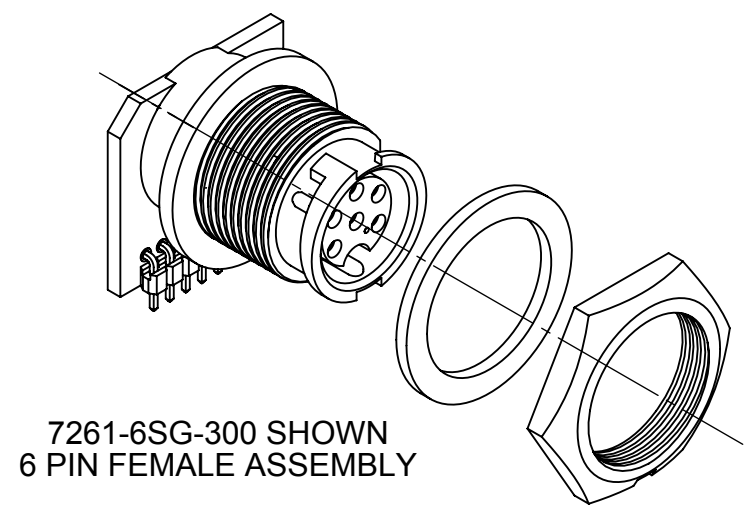
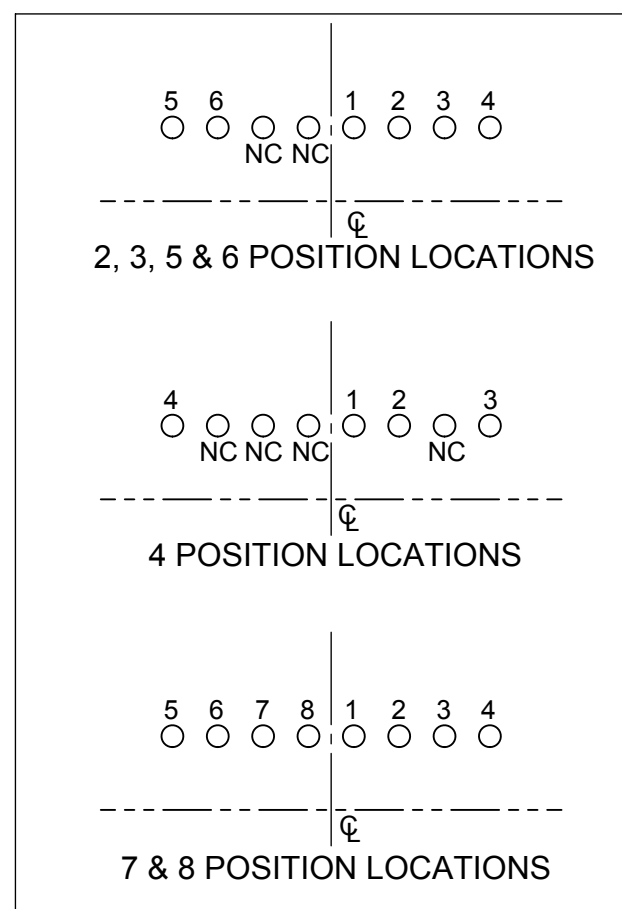
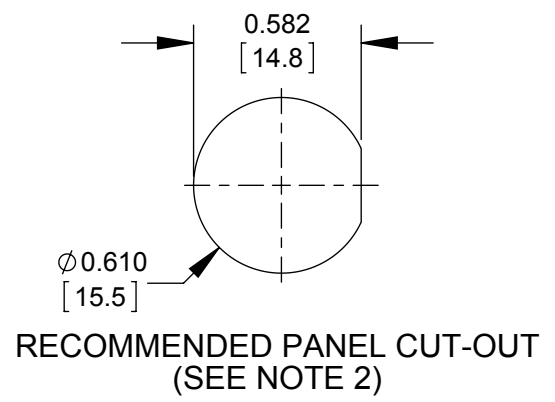
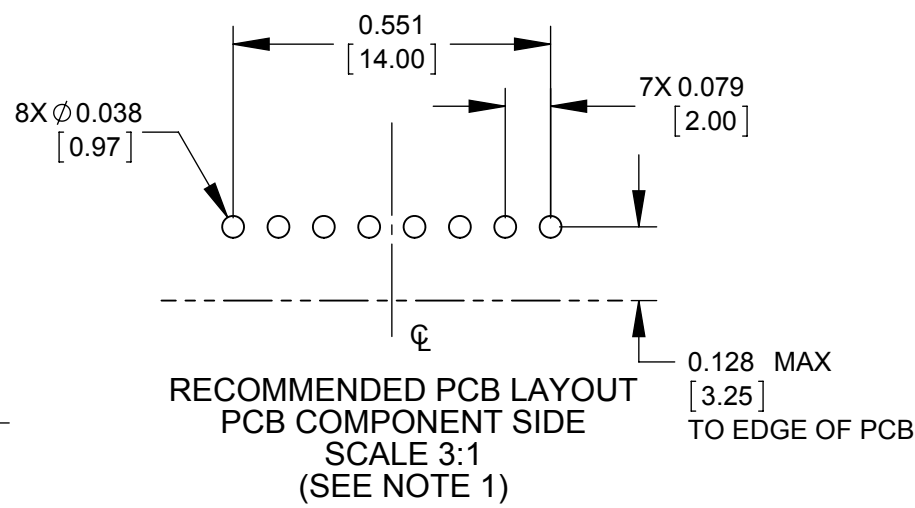
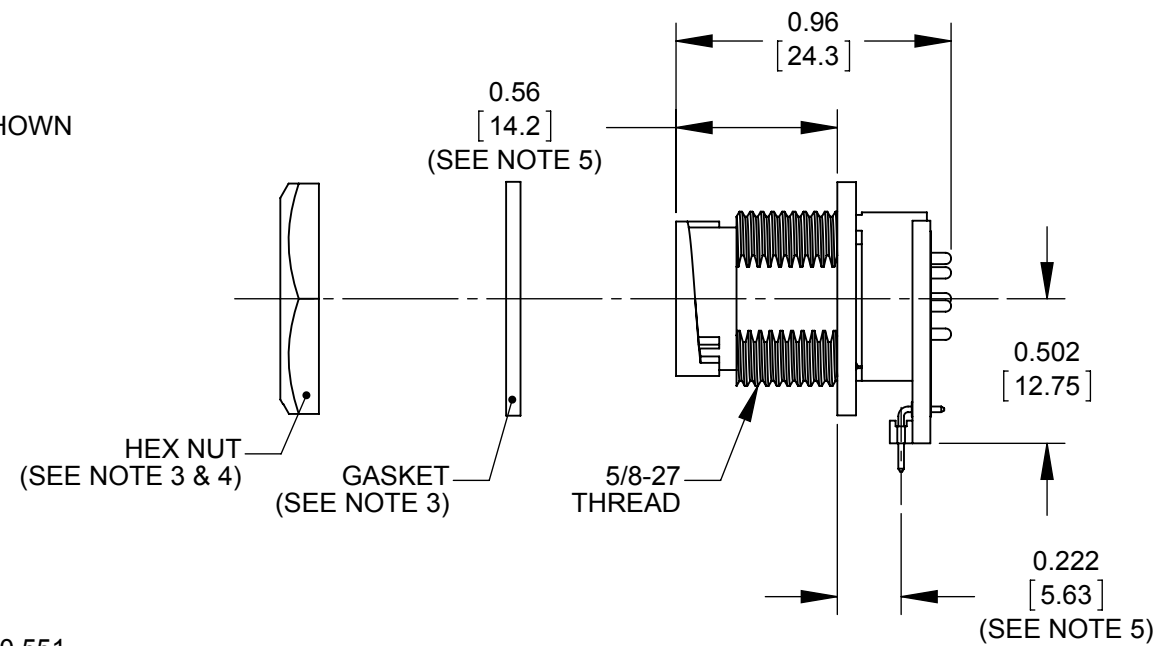
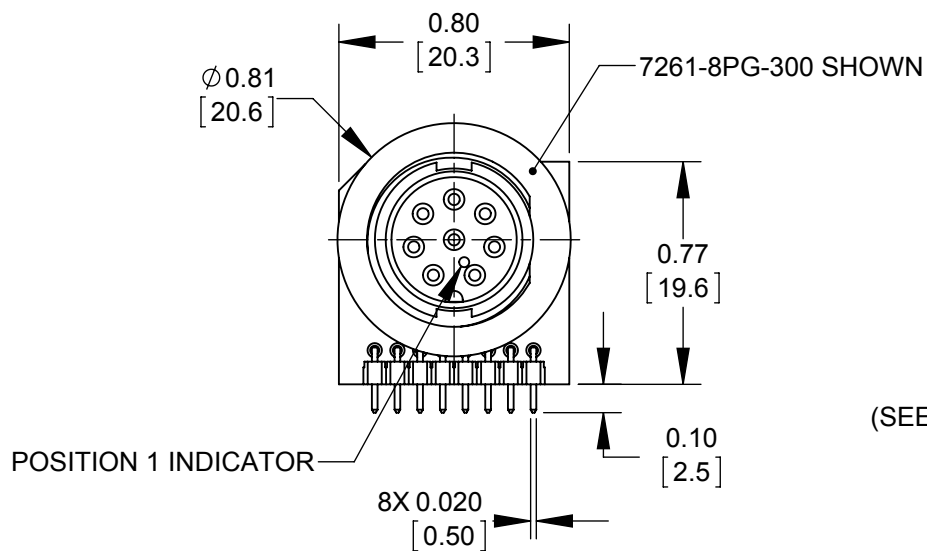


- NOTES:
1. ALL HOLES REQUIRED REGARDLESS OF NUMBER OF POSITIONS OF CONNECTOR.
 2. MAXIMUM PANEL THICKNESS RECOMMENDED: 0.188 [4.78mm]
 3. HEX NUT & GASKET SHIPPED UNASSEMBLED.
 4. HEX NUT TIGHTENING TORQUE: 8-10 IN/LB
 5. THE DIMENSION DOES NOT INCLUDE THE GASKET.
 6. CURRENT RATING-
5-8 CONTACT: 4.0 AMP
2-4 CONTACT: 5.0 AMP
 7. TEMPERATURE RATING: -40°C TO +85°C (-40°F TO +185°F)
 8. MATERIALS-
PANEL CONNECTOR, HEX NUT, & SPACER: THERMOPLASTIC
GASKET: ELASTOMER
CONTACTS: COPPER ALLOY, GOLD PLATE
PCB: FR-4
HEADER INSULATOR: THERMOPLASTIC, UL94V-0
 9. THIS PRODUCT IS RoHS COMPLIANT.



7261 - G - 300

OF CONTACTS
2,3,4,5,6,7,8
(7&8 NOT AVAILABLE IN FEMALE)

GENDER
P - MALE
S - FEMALE

CUSTOMER DRAWING

0C	JGK	11/05/15	UPDATED NOTES.
0B	JGK	9/21/15	UPDATED NOTES.
0A	JGK	8/28/13	DRAWING CREATED PER PROJECT #09001.
REV.	INIT.	DATE	DESCRIPTION
	JGK	8/26/13	ORIG. DRAWN BY: DATE: 8/26/13
			CHECKED BY:
			APPROVED BY:
	SCALE	SIZE	SHEET
	3:2	B	1 OF 1
	FILE:	DIRECTORY:	PART NUMBER:
	SAME AS P/N	SLW	7261- _ _G-300 SERIES
			REV 0C

PRELIMINARY

RoHS COMPLIANT

CUSTOMER DRAWING

PART NUMBER: 7261- _ _G-300 SERIES



601 E. WILDWOOD VILLA PARK, IL 60181
TITLE: MINI-CON-X RIGHT ANGLE
2-8 POSITION
NARROW PC BOARD
STANDARD PRODUCT

Mouser Electronics

Authorized Distributor

Click to View Pricing, Inventory, Delivery & Lifecycle Information:

Switchcraft:

[7261-2SG-300](#) [7261-3PG-300](#) [7261-4PG-300](#) [7261-6PG-300](#) [7261-5PG-300](#) [7261-7PG-300](#) [7261-6SG-300](#) [7261-3SG-300](#) [7261-8PG-300](#) [7261-5SG-300](#) [7261-4SG-300](#) [7261-2PG-300](#) [7271-6SG-300](#)