

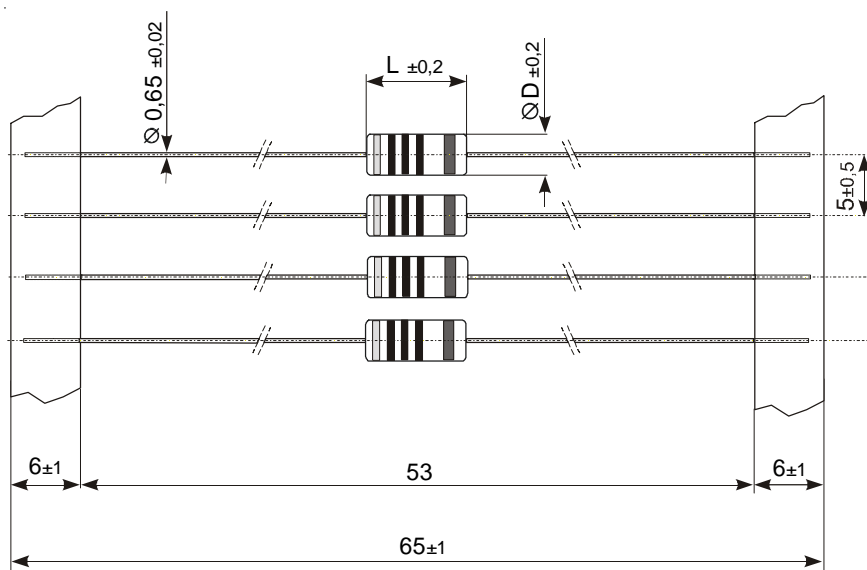
Metalglaze film resistors, axial, hi-temp.-solder contacts moulded
unflammable acc. to IEC 695-2-2



Specifications

Type		RG515-0	RG520-0
Style		0207	0309
Power rating P_{70}	W	0,5 ($P_{max.} = 0,7$)	0,7 ($P_{max.} = 0,9$)
Resistance range	Ω	see next page	
E-Series		see next page	
Tolerances	%	see next page	
Temperature coefficient	$10^{-6} \cdot K^{-1}$	see next page	
max. cont. work. voltage	V_{RMS}	350	
Voltage coefficient	$10^{-6} \cdot V^{-1}$	< 30	
Insulation voltage (1min.)	V_{RMS}	1000	
Insulation resistance	Ω	> 10^4	
Derating	$^{\circ}C$	linear 70 ... 155 (0W)	
Climatic category		55/155/56	
Temperature range	$^{\circ}C$	- 65 ... 175	
Thermal resistance	KW^{-1}	125	100
Failure rate (Total, ϑ_0 max., 60% conf. lev.)	$10^{-9} h^{-1}$	< 1	
Endurance (P_{70} , @ 70 $^{\circ}C$, 1000h interm.)	$\left[\frac{\Delta R}{R}\right] \%$	$\pm 0,5$	
Damp heat, steady state (40 $^{\circ}C$, 93% r.h., 56d)	$\left[\frac{\Delta R}{R}\right] \%$	$\pm 1,0$	
Climatic sequence	$\left[\frac{\Delta R}{R}\right] \%$	$\pm 1,0$	
Terminal strength	$\left[\frac{\Delta R}{R}\right] \%$	$\pm 0,2$	
Terminal tensile strength	N	40	
Resistance to soldering heat (260 $^{\circ}C$, 10s)	$\left[\frac{\Delta R}{R}\right] \%$	$\pm 0,1$	
Solderability	s	2,5 Flowtime, solderglobule test, IEC 60068-2-20-T	
Current noise (DIN/IEC 195)	dB	R<1K0: -20 R>1K0: ± 20 /decade	
Nonlinearity (DIN/IEC 440)	dB	110 - 20/decade	
Marking		Colour code: 5 resp. 6 bands (6th. band for TC) < 1R0 4 bands	

Dimensions in mm:



Resistance range	E-series	Tolerance	Temperature coefficient $10^{-6} K^{-1}$
0R3 ... 3M3	E 24	$\pm 2\%$	100 (T0) *
0R3 ... 9R1	E 24	$\pm 1\%$	100 (T0) *
10R ... 3M32	E 96	$\pm 1\%$	50 (T2)
10R ... 1M	E 96	$\pm 0,5\%$	25 (T9)

* R <1R TC200

Type	L	$\varnothing D$
RG515-0	6,4	2,3
RG520-0	8,0	3,2

Packaging:

Type	Packaging	Pieces	Pack.Code
RG515-0	taped/Ampopack	1000	T
	taped/reel	5000	R
RG520-0	taped/Ampopack	1000	T

Ordering example: RG515-0 1 T 1K
 Type Tolerance Pack.-Code R-Value

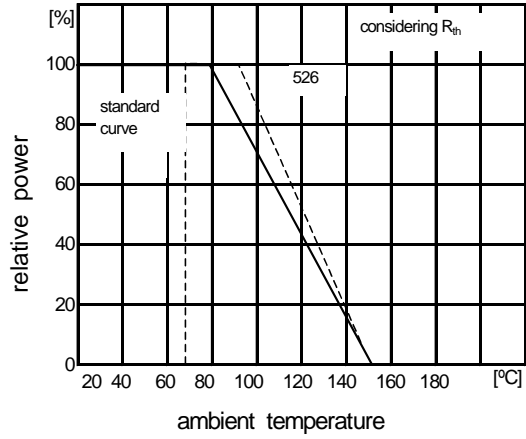
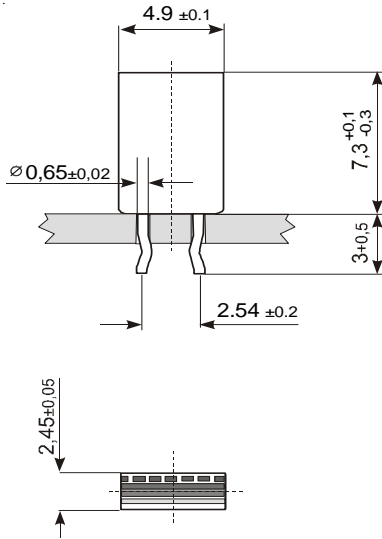
Metalglaze film resistors, moulded, vertical
uninflammable acc. to IEC 695-2-2



Specifications

Type		RGU 526-0
Style		04
Power rating P_{70}	W	0,5
Resistance range	Ω	see next page
E-Series		see next page
Tolerances	%	see next page
Temperature coefficient	$10^{-6} \cdot K^{-1}$	see next page
max. cont. work. voltage	V_{RMS}	350
Voltage coefficient	$10^{-6} \cdot V^{-1}$	< 30
Insulation voltage (1min.)	V_{RMS}	1000
Insulation resistance	Ω	> 10^4 except top surface
Derating linear	$^{\circ}C$	see next page
Climatic category		55/155/56
Temperature range	$^{\circ}C$	- 55 ... 175
Thermal resistance	KW^{-1}	90
Failure rate (Total, ϑ_0 max., 60% conf. lev.)	$10^{-9} h^{-1}$	< 1
Endurance (P_{70} , @ 70 $^{\circ}C$, 1000h, interm.)	$\left[\frac{\Delta R}{R}\right] \%$	$\pm 0,5$
Damp heat, steady state (40 $^{\circ}C$, 93% r.h., 56d)	$\left[\frac{\Delta R}{R}\right] \%$	$\pm 1,0$
Climatic sequence	$\left[\frac{\Delta R}{R}\right] \%$	$\pm 1,0$
Terminal strength	$\left[\frac{\Delta R}{R}\right] \%$	$\pm 0,2$
Terminal tensile strength	N	40
Resistance to soldering heat (260 $^{\circ}C$, 10s)	$\left[\frac{\Delta R}{R}\right] \%$	$\pm 0,1$
Solderability	s	2,5 Flowtime, solderglobule test, IEC 60068-2-20-T
Current noise (DIN/IEC 195)	dB	R<1K: -20 R>1K : ± 20 / decade
Nonlinearity (DIN/IEC 440)	dB	110 - 20 / decade
Marking		DIN-IEC-Color code; 4 resp. 5 Colors

Dimensions in mm:



Resistance range	E-series	Tolerance	Temperature coefficient ppm/K
0R3 ... 3M3	E 24	± 2%	100 (T0)*
10R ... 3M32	E 96	± 1%	50 (T2)
10R ... 1M	E 96	± 0,5%	25 (T9)

* R < 1R : TC200

Packaging:

Type	Packaging	Pieces	Pack.Code
RGU526-0	bulk	1000	B

Ordering example: RGU526-0 1 B 1K
 Type Tolerance Pack.-Code R-Value