

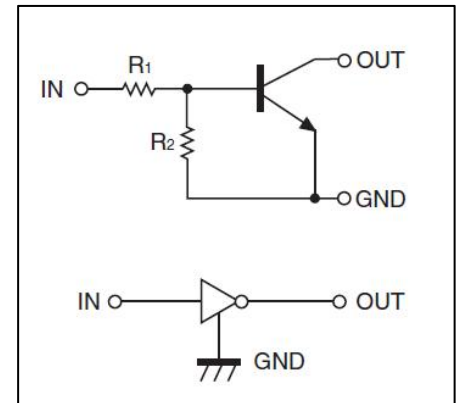
## Digital Transistors (Built-in Resistors)

DIGITAL TRANSISTOR (NPN)

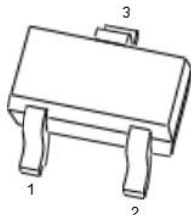
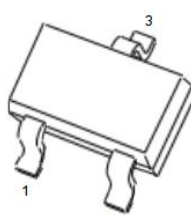
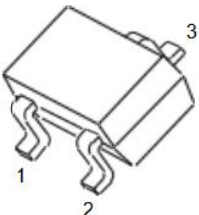
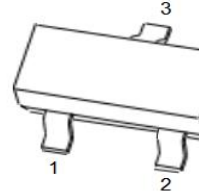
### FEATURES

- Built-in bias resistors enable the configuration of an inverter circuit without connecting external input resistors(see equivalent circuit)
- The bias resistors consist of thin-film resistors with complete isolation to allow negative biasing of the input.They also have the advantage of almost completely eliminating parasitic effects
- Only the on/off conditions need to be set for operation, making device design easy

### • Equivalent Circuit



### PIN CONNENCTIONS and MARKING

<p><b>DTC124EE</b></p>  <p><b>SOT-523</b></p> <p>1. IN 2. GND 3.OUT</p>	<p><b>DTC124EUA</b></p>  <p><b>SOT-323</b></p> <p>1. IN 2. GND 3. OUT</p>
<p><b>DTC124EKA</b></p>  <p><b>SOT-23-3L</b></p> <p>1. IN 2. GND 3.OUT</p>	<p><b>DTC124ECA</b></p>  <p><b>SOT-23</b></p> <p>1.IN 2.GND 3.OUT</p>

### ORDERING INFORMATION

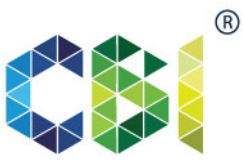
Part Number	MARKING <sup>(1)</sup>	Package	Packing Method	Pack Quantity
DTC124EE	25	SOT-523	Reel	3000pcs/Reel
DTC124EUA	25	SOT-323	Reel	3000pcs/Reel
DTC124EKA	25	SOT-23-3L	Reel	3000pcs/Reel
DTC124ECA	25	SOT-23	Reel	3000pcs/Reel

**MAXIMUM RATINGS**( $T_a=25^{\circ}\text{C}$  unless otherwise noted)

Symbol	Parameter	Limits(DTC124E□)						Unit
		M	E	UA	KA	CA	SA	
$V_{CC}$	Supply Voltage	50						V
$V_{IN}$	Input Voltage	-10~+40						V
$I_o$	Output Current	30						mA
$I_{CM}$	Peak Collector Current	100						mA
$P_D$	Power Dissipation	100	150	200	200	200	300	mW
$T_J, T_{stg}$	Operation Junction and Storage Temperature Range	-55~+150						$^{\circ}\text{C}$

**ELECTRICAL CHARACTERISTICS** ( $T_a=25^{\circ}\text{C}$  unless otherwise specified)

Parameter	Symbol	Conditions	Min	Typ	Max	Unit
Input voltage	$V_{I(off)}$	$V_{CC}=5V, I_o=100\mu\text{A}$	0.5			V
	$V_{I(on)}$	$V_o=0.2V, I_o=5\text{mA}$			3	V
Output voltage	$V_{O(on)}$	$I_o/I_i=10\text{mA}/0.5\text{mA}$		0.1	0.3	V
Input current	$I_i$	$V_i=5V$			0.36	mA
Output current	$I_{O(off)}$	$V_{CC}=50V, V_i=0$			0.5	$\mu\text{A}$
DC current gain	$G_i$	$V_o=5V, I_o=5\text{mA}$	56			
Input resistance	$R_1$		15.4	22	28.6	$\text{k}\Omega$
Resistance ratio	$R_2/R_1$		0.8	1	1.2	
Transition frequency	$f_T$	$V_o=10V, I_o=5\text{mA}, f=100\text{MHz}$		250		MHz



**CHINA BASE**  
INTERNATIONAL

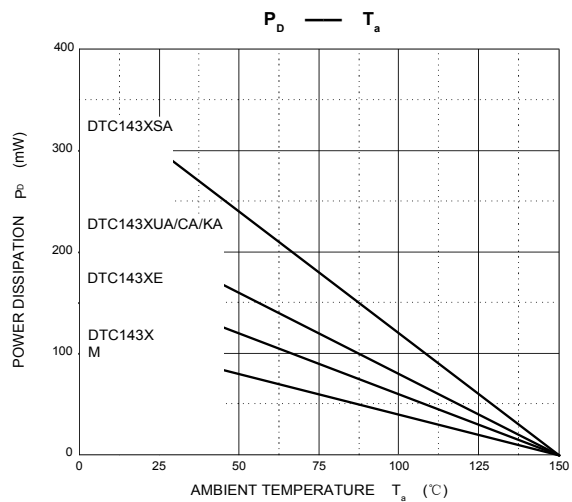
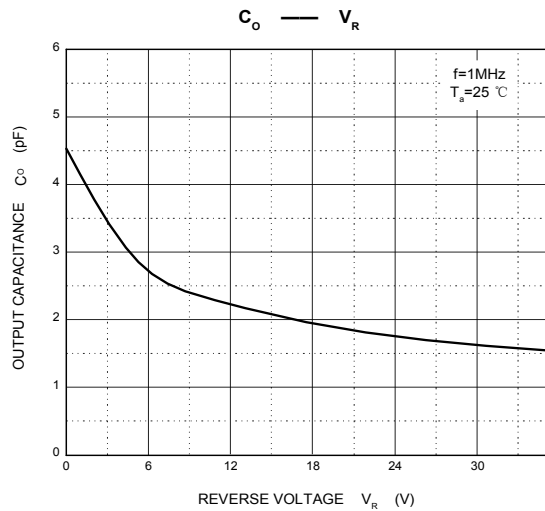
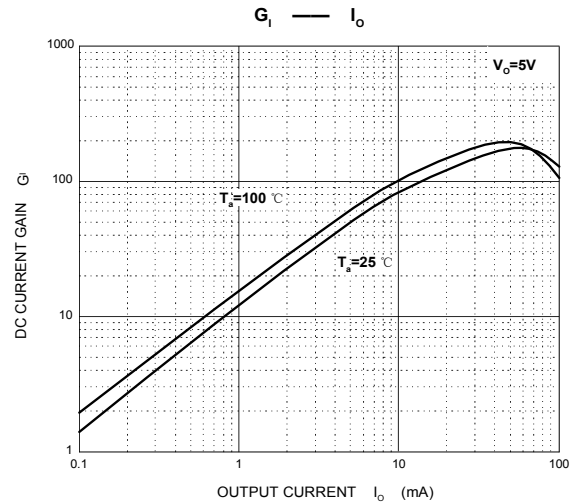
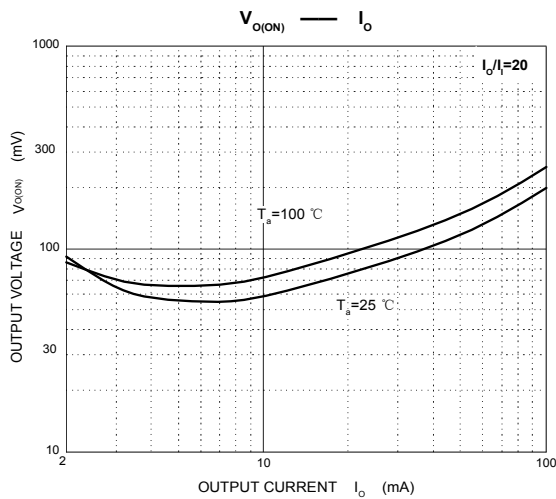
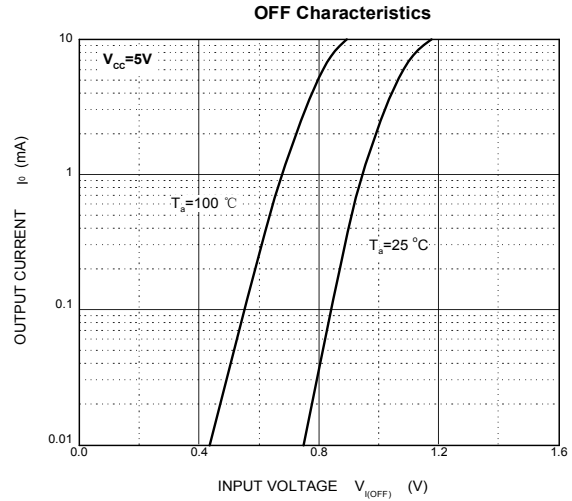
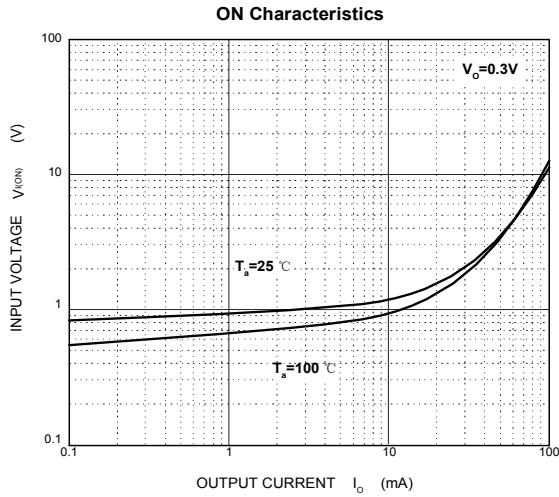
SOT-523/SOT-323/SOT-23-3L/SOT-23



DTC124EE/DTC124EUA/DTC124EKA/DTC124ECA

www.china-base.com.hk

## Typical Characteristics

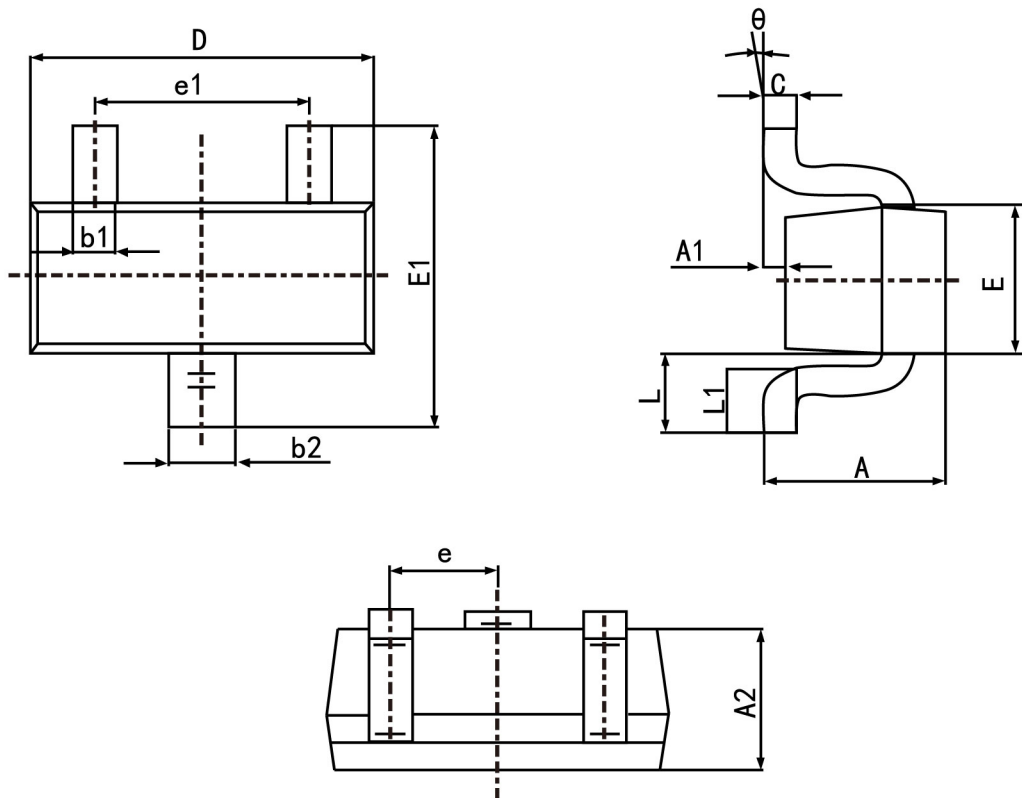




**PACKAGE OUTLINE**

Plastic surface mounted package; 3 leads

SOT-523



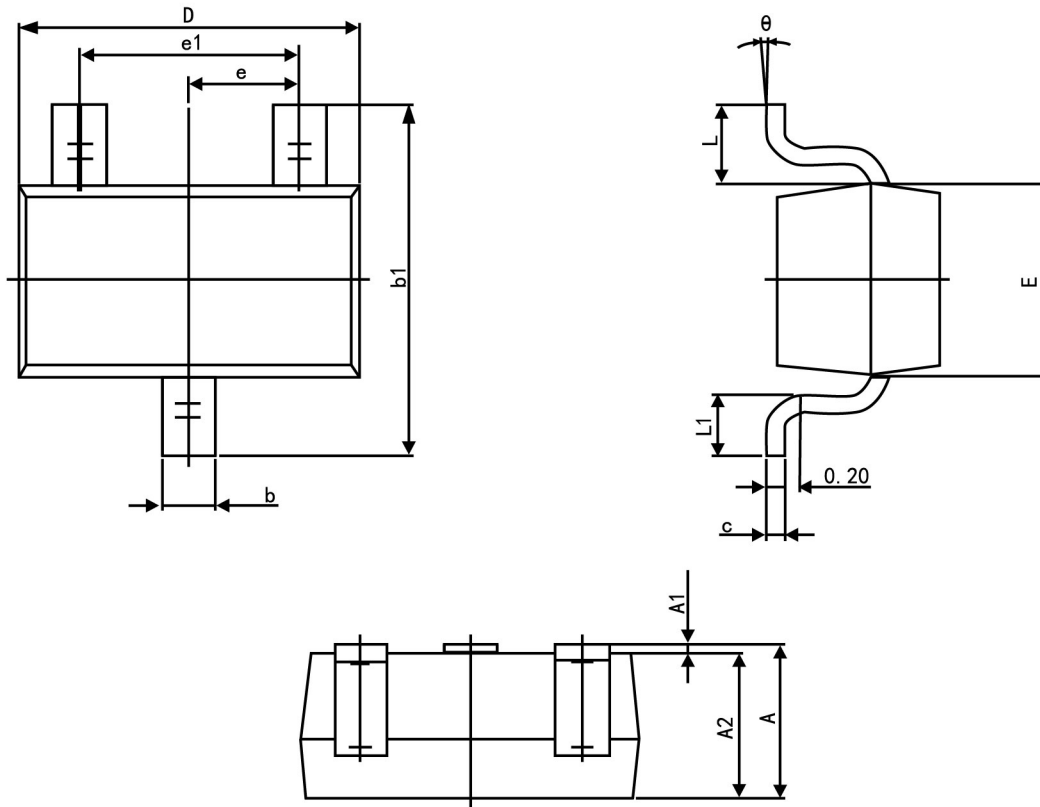
Symbol	Dimension in Millimeters	
	Min	Max
A	0.700	0.900
A1	0.000	0.100
A2	0.700	0.800
b1	0.150	0.250
b2	0.250	0.350
c	0.100	0.200
D	1.500	1.700
E	0.700	0.900
E1	1.450	1.750
e	0.500	TYP.
e1	0.900	1.100
L	0.400 REF.	
L1	0.260	0.460
θ	0°	8°



**PACKAGE OUTLINE**

Plastic surface mounted package; 3 leads

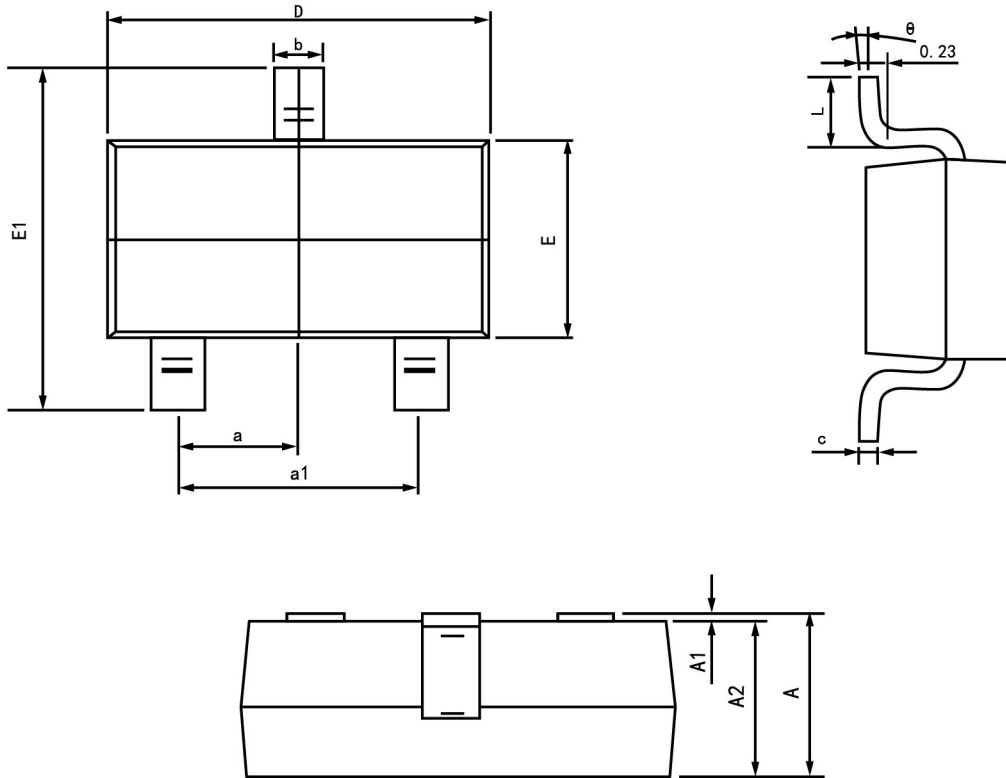
SOT-323



Symbol	Dimension in Millimeters	
	Min	Max
A	0.900	1.100
A1	0.000	0.100
A2	0.900	1.000
b	0.200	0.400
c	0.080	0.150
D	2.000	2.200
E	1.150	1.350
E1	2.150	2.450
e	0.650 TYP.	
e1	1.200	1.400
L	0.525 REF.	
L1	0.260	0.460
θ	0°	8°



Package outline dimensions SOT23-3L



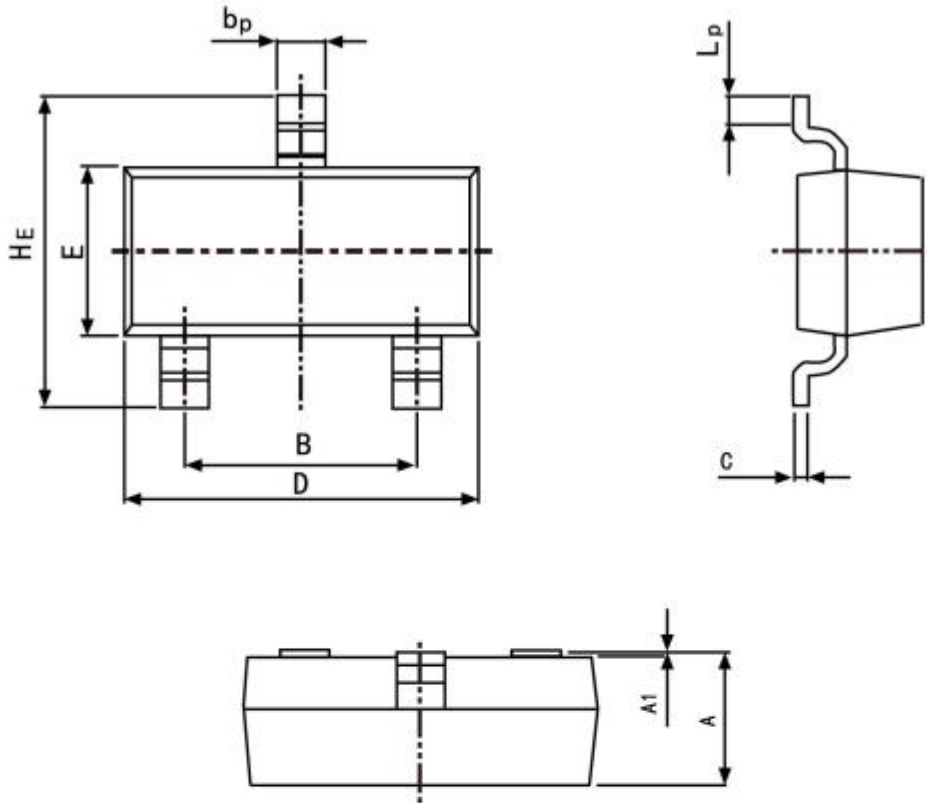
Symbol	Dimension in Millimeters	
	Min	Max
A	1.050	1.250
A1	0.000	0.100
A2	1.050	1.150
b	0.300	0.500
c	0.100	0.200
D	2.820	3.020
E	1.500	1.700
E1	2.650	2.950
e	0.950 (Basic)	
e1	1.800	2.000
L	0.300	0.600
θ	0°	8°



**PACKAGE OUTLINE**

Plastic surface mounted package; 3 leads

SOT-23



Symbol	Dimension in Millimeters	
	Min	Max
A	0.95	1.40
B	1.78	2.04
bp	0.35	0.50
C	0.08	0.19
D	2.70	3.10
E	1.20	1.65
HE	2.20	3.00
A1	0.100	0.013
Lp	0.20	0.50