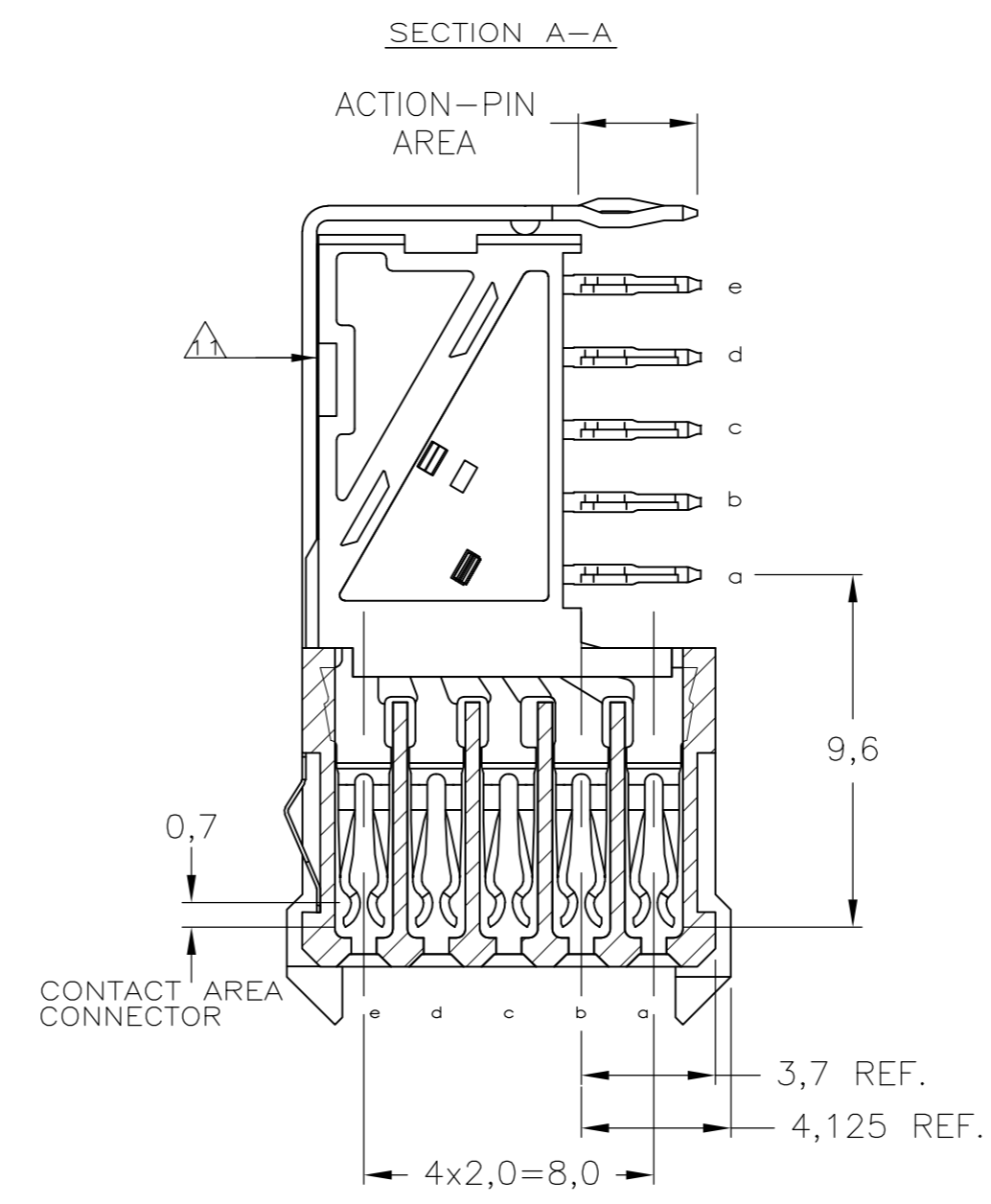
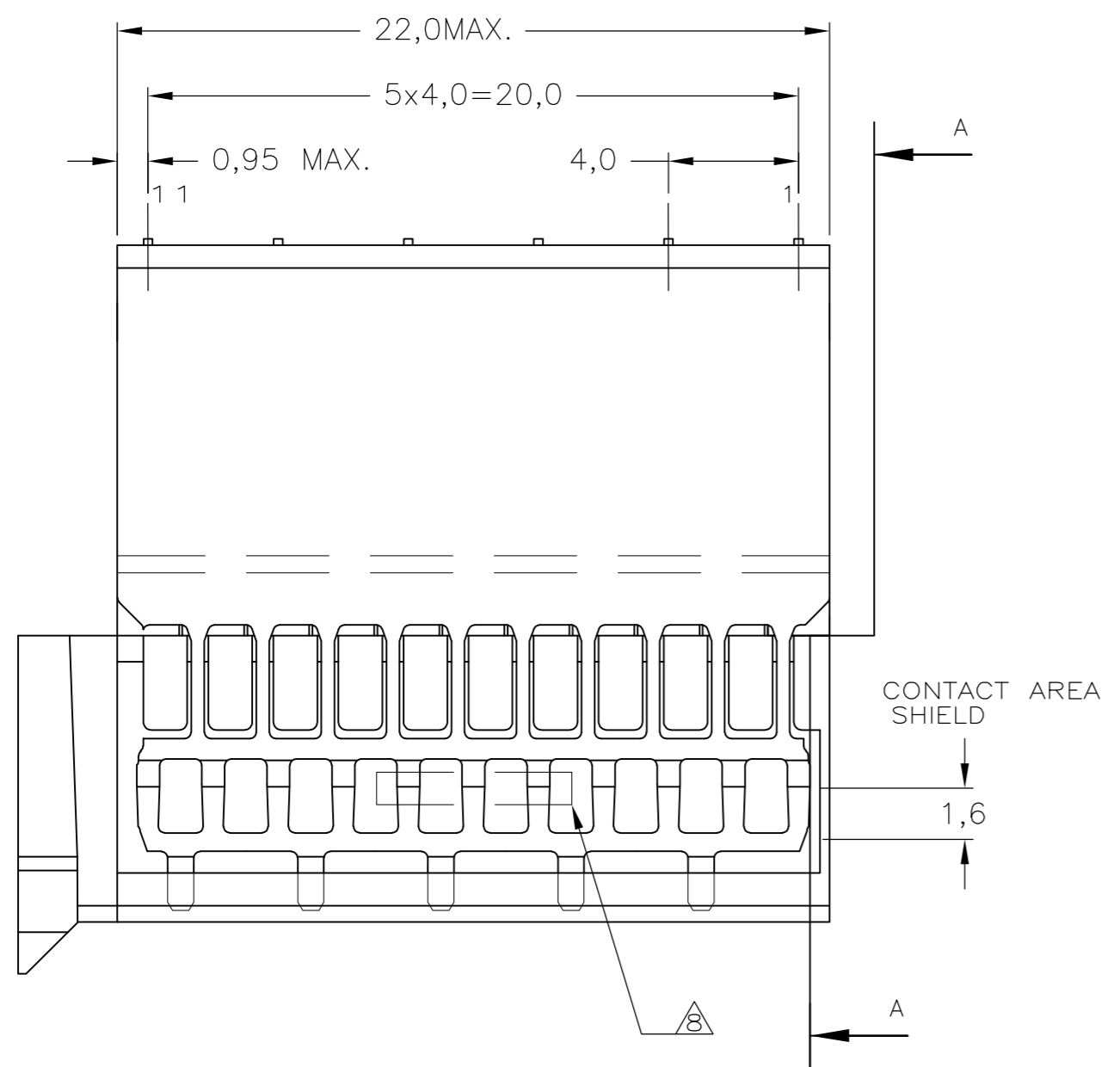
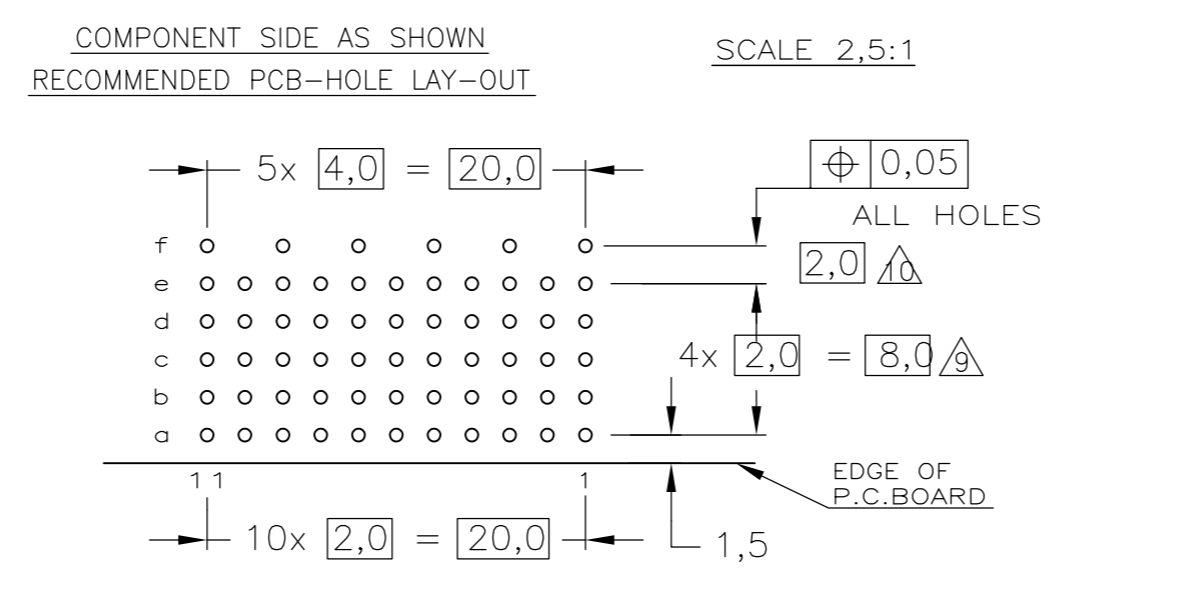
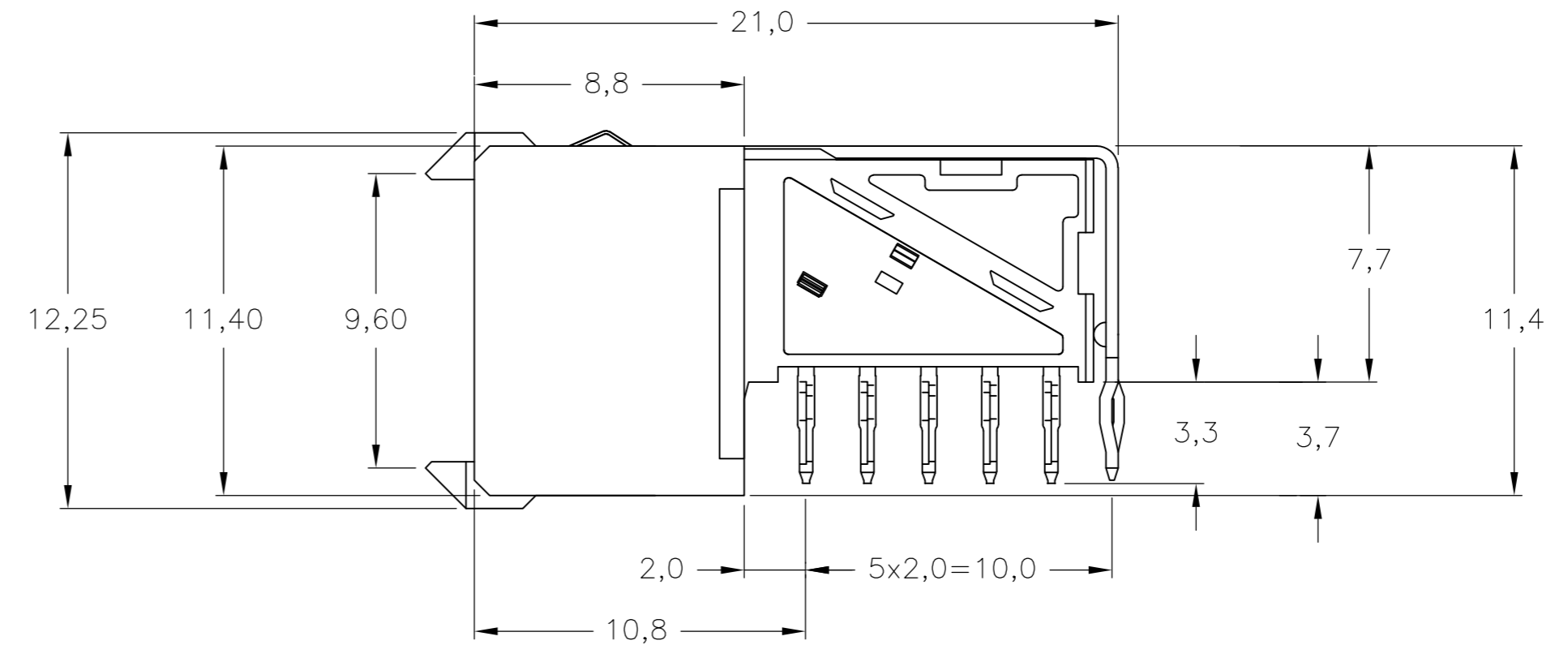
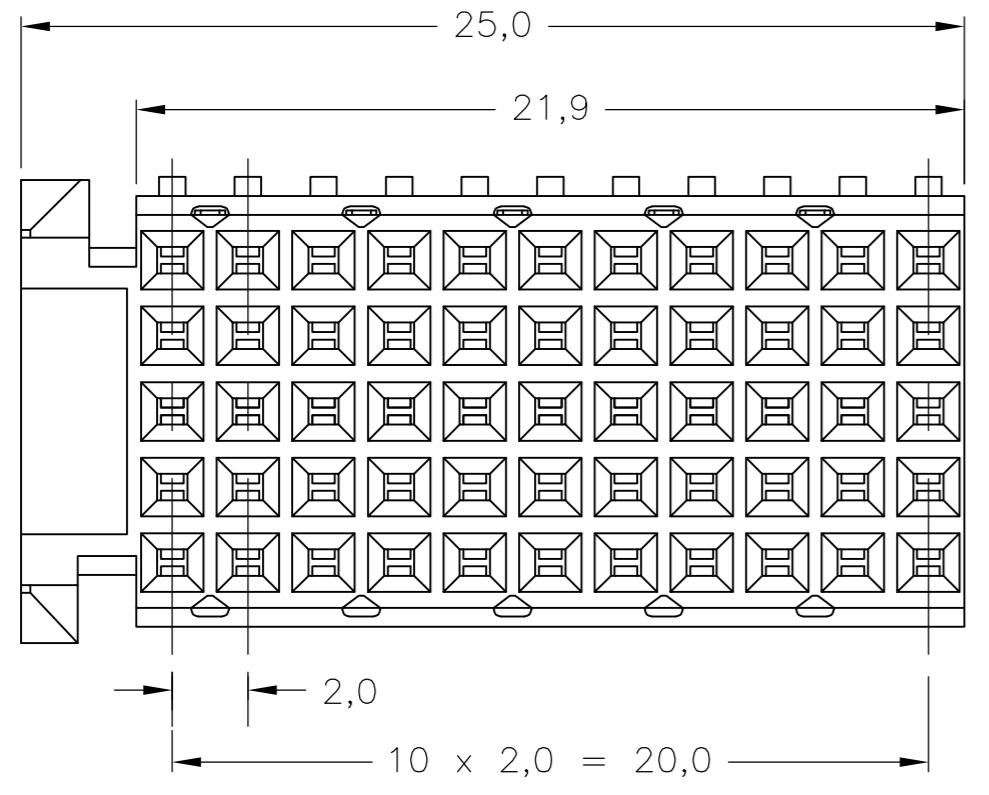


THIS DRAWING IS UNPUBLISHED. RELEASED FOR PUBLICATION
 © COPYRIGHT - By - ALL RIGHTS RESERVED.

LOC		DIST		REVISIONS			
P	LTR	DESCRIPTION		DATE	DWN	APVD	
H	-	D		REVISED PER ECR-11-008117	19APR11	RC	CW



- NOTES:
- ⚠ MATERIAL CONTACTS; PHOSPHORBRONZE
MATERIAL SHIELD ; PHOSPHORBRONZE
MATERIAL HOUSING; GLASSFILLED POLYESTER (GRAY)
 - ⚠ GENERAL PLATING SPECIFICATION: UNDERPLATING (ENTIRE CONTACT):
1,27µm NICKEL MIN. AND ACTION PIN: 0,5µm TIN MIN.
FOR PLATING OF MATING SURFACES SEE APPLICABLE SPECIFICATION REFERENCE FOR EACH DASH NUMBER.
 - ⚠ CONFORMS TO ALL TESTING ACCORDING IEC 61076-4-101 PERFORMANCE LEVEL 2.
 - ⚠ CONFORMS TO ALL TESTING ACCORDING IEC 61076-4-101 PERFORMANCE LEVEL 1.
 - ⚠ CONNECTOR TESTED AND QUALIFIED AGAINST TELCORDIA GR-1217-CORE QUALITY LEVEL III, CENTRAL OFFICE APPLICATIONS.
 - ⚠ CONNECTOR LUBRICATED WITH TELCORDIA GR-1217-CORE APPROVED LUBRICANT.
 - ⚠ PLATING SHIELD:
CONTACT AREA: 0,76µm Au MIN.
ACTION PIN : 0,5µm Sn MIN.
REMAINDER : Ni
 - ⚠ ASSEMBLY PRINTED WITH P/N AND DATECODE
THE MARKING CAN APPEAR ON THE FRONT SIDE OR BACK SIDE.
 - ⚠ HOLE PATTERN FOR FEMALE CONNECTOR TYPE C
55 PLATED-THROUGH HOLES AT 2x2mm SQUARE GRID
ROW "f" 6 PLATED THROUGH HOLES FOR UPERSHIELD
 - ⚠ SHIELD MOUNTED ON CONNECTOR WITH DOUBLE SIDED ADHESIVE TAPE OR ADHESIVE
 - 12 FITS WITH LOWERSHIELD, BASIC PARTNUMBER : 5352112.
 - ⚠ 0.76µm MIN Au PLATING AT MATING SURFACES.



P.C.B. HOLE DIM. ACTION PIN
FOR DETAILS SEE APPLICATION SPECIFICATION

⚠⚠⚠	⚠	3-5352115-0
⚠⚠⚠	⚠	5352115-9
⚠⚠⚠	⚠	5352115-4
⚠⚠⚠	⚠	5352115-1
FINISH	MATERIAL	PARTNUMBER

THIS DRAWING IS A CONTROLLED DOCUMENT.		DWN	19AUG2004	TE Connectivity	
		CHK	24SEP2004	Z-PACK 2mm HM	
		APVD	24SEP2004	TYPE C - 11 COLUMNS	
		PRODUCT SPEC		PRE-SHIELDED RECEPTACLE	
DIMENSIONS: mm		APPLICATION SPEC	108-19082	SIZE	CAGE CODE
TOLERANCES UNLESS OTHERWISE SPECIFIED:		WEIGHT	114-19029	DRAWING NO	RESTRICTED TO
0-PLC	±			A2	
1-PLC	±			00779	
2-PLC	±			C=5352115	
3-PLC	±			SCALE	SHEET
4-PLC	±			5:1	1 of 1
ANGLES	±			REV	D
FINISH					
MATERIAL					
CUSTOMER DRAWING					