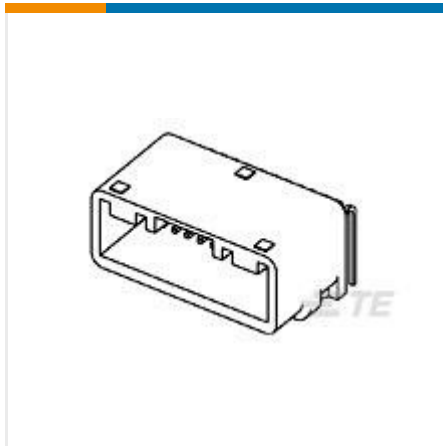




CONNECTORS

AUTOMOTIVE, TRUCK, BUS, & OFF-ROAD HEADERS



✓ Active

TE CONNECTIVITY (TE)

025/090 CAP HSG 26P

TH/.025 Connector System

1376357-3

TE Internal Number: 1376357-3

EU RoHS Compliant

EU ELV Compliant

Tab Width (mm) .64, 2.3

Tab Width (in) .025, .091

Tab Thickness .64 mm [.025 in]

Centerline (Pitch) (in) .087, .157

Pitch (mm) 2.2, 4

Circuit Application Signal

[↓ PRODUCT DRAWING](#)
Japanese

[↓ 3D PDF](#)

DOCUMENTATION

Product Drawings

025/090 SERIES CONNECTOR 26POS CAP HOUSING ASSEMBLY

PDF

Japanese

CAD Files

3D PDF

PDF

3D

Customer View Model

2D_DXF.ZIP

English

Customer View Model

3D_IGS.ZIP

English

Customer View Model

3D_STP.ZIP

English

Product Specifications

Product Specification

025/090II I/O CONNECTOR

TIF

Japanese

025/090II I/O CONNECTOR

PDF

Japanese

025/090II I/O CONNECTOR

TIF

Japanese

025/090II I/O CONNECTOR

PDF

Japanese

0.64III/2.3II CONNECTOR

PDF

Japanese

0.64III/2.3II CONNECTOR

TIF

Japanese

0.64III/2.3II CONNECTOR

TIF

Japanese

0.64III/2.3II CONNECTOR

PDF

Japanese

Application Specification

Crimping Of 025 Receptacle Contact

TIF

Japanese

Crimping Of 025 Receptacle Contact

PDF

Japanese

Qualification Test Report

025-090II I/O CONNECTOR

PDF

Japanese

025-090II I/O CONNECTOR

TIF

Japanese

Instruction Sheets

Instruction Sheet (non U.S.)

025/090II I/O Connector

TIF

Japanese

025/090II I/O Connector

PDF

Japanese

025/090II I/O Connector

TIF

Japanese

025/090II I/O Connector

PDF

Japanese

FEATURES



Please review product documents or [contact us](#) for the latest agency approval information.

Please Note: Use the Product Drawing for all design activity.

Product Type Features

Sealed No

Hybrid Header Yes

Shielded No

Configuration Features

Number of Circuits 26

Number of Rows 1, 2

Number of Sections 1

Number of Signal Positions 26

Electrical Characteristics

Nominal Voltage Architecture (V) 12

Voltage Rating (Max) (VDC) 12

Operating Voltage (VDC) 12

Body Features

Color Natural

Contact Features

Tab Width (mm) .64, 2.3

Tab Width (in) .025, .091

Tab Thickness .64 mm [.025 in]

Interface Plating Tin (Sn)

Termination Features

Termination Method Through Hole - Solder

Mechanical Attachment

Mounting Orientation Horizontal/90°

Panel Mount Retention Without

Mounting Holes With

PCB Mount Alignment Without

Locking Interface With

PCB Mount Retention Without

Housing Features

Centerline (Pitch) (in) .087, .157

Pitch (mm) 2.2, 4

Dimensions

Profile Height from PCB 17.6 mm [.693 in]

Width 42.5 mm [1.673 in]

PCB Thickness (Recommended) 1.2 – 1.6 mm [.048 – .062 in]

Length 28.97 mm [1.141 in]

Usage Conditions

Operating Temperature (Max) (°C) 65, 70, 75, 80, 85, 90, 100, 105

Operating Temperature (Max) (°F) 149, 158, 167, 176, 185, 194, 212, 221

Operating Temperature Range -30 – 105 °C [-22 – 221 °F]

Operation/Application

Circuit Application Signal

Industry Standards

UL Flammability Rating UL 94-HB

Degree of Protection other

Packaging Features

Packaging Type Tube

Packaging Quantity 10

Statement of Compliance

Statement of Compliance

PDF
