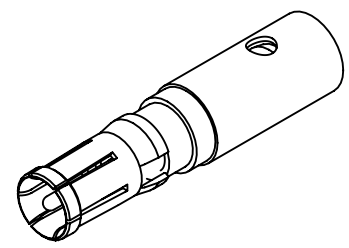
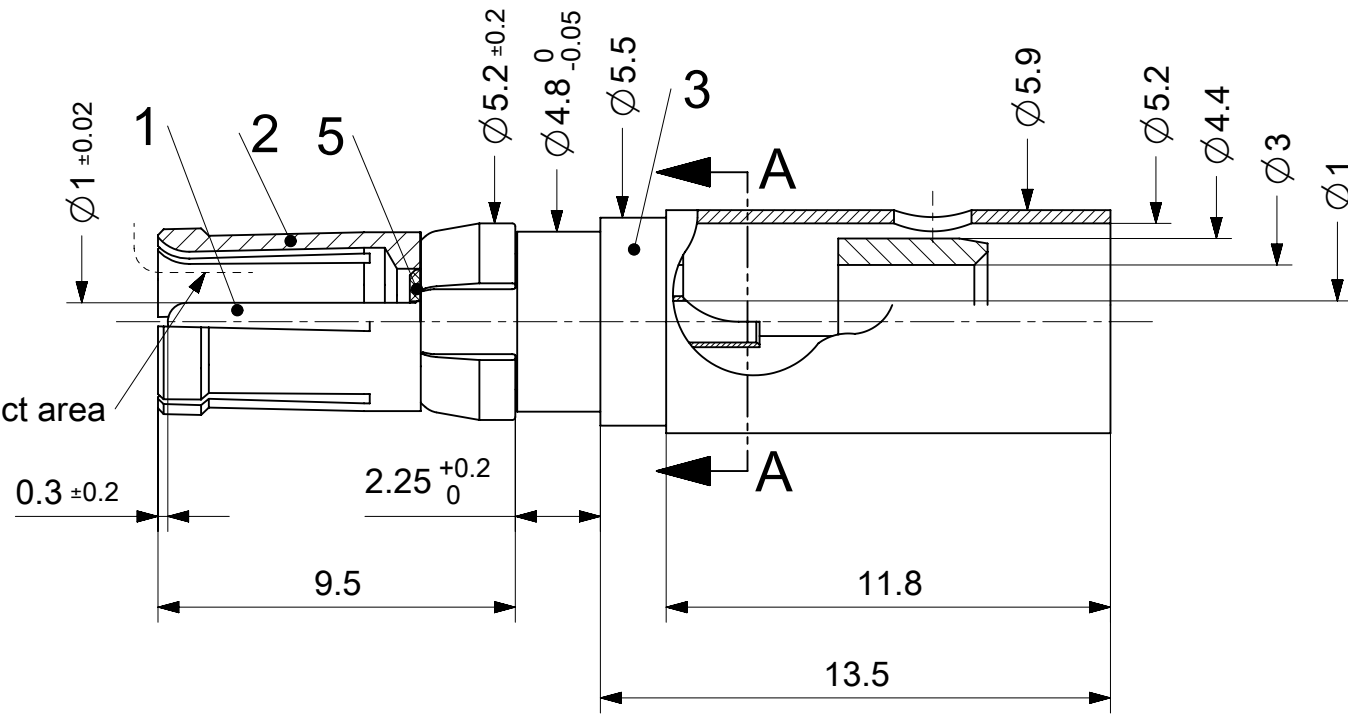


Solderpot position

A-A



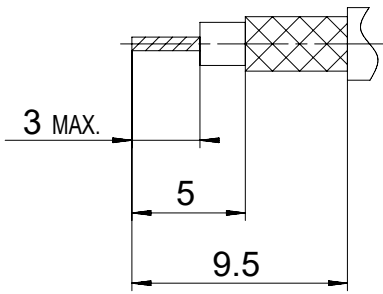
2:1

RoHS compliant
by exemption

Crimping tools see document 2195600660
Cable RG58CU, RG141AU

1731120168	FMX008S102	102
Material Number	FCT Part Number	Material + Finish See extra sheet

Cable trimming dimensions



UNLESS OTHERWISE SPECIFIED DIMENSIONS FOR REFERENCE ONLY				REPLACEMENT FOR DOCUMENT NUMBER: FMX008S								
THIS DRAWING CONTAINS INFORMATION THAT IS PROPRIETARY TO MOLEX ELECTRONIC TECHNOLOGIES, LLC AND SHOULD NOT BE USED WITHOUT WRITTEN PERMISSION												
FUNCTIONAL SYMBOLS	DIMENSION UNITS	SCALE	CURRENT REV DESC:									
$\frac{F}{A} = 0$	mm	5:1	EC NO: 710219									
$\frac{F}{E} = 0$	GENERAL TOLERANCES (UNLESS SPECIFIED)		DRWN: VLOKESHA 2021/04/23									
$\frac{F}{P} = 0$	ANGULAR TOL ± °		CHK'D: MTEUBEL 2022/06/22									
DIVISIONAL SYMBOLS	4 PLACES	±	APPR: MTEUBEL 2022/06/22									
	3 PLACES	±	INITIAL REVISION:									
	2 PLACES	±	DRWN: VLOKESHA 2021/04/23									
	1 PLACE	±	APPR: MTEUBEL 2022/06/22									
	0 PLACES	±	DRAFT WHERE APPLICABLE MUST REMAIN WITHIN DIMENSIONS		FIRST ANGLE PROJECTION	DRAWING	SERIES	DOCUMENT NUMBER	CUSTOMER	DOC TYPE	DOC PART	REVISION
						A4-SIZE	173112	1731120168	GENERAL MARKET	PSD	000	A
								SEE TABLE				SHEET NUMBER
												1 OF 1