

5

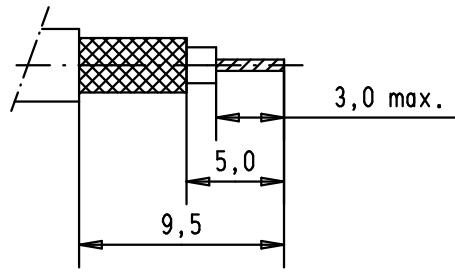
4

3

2

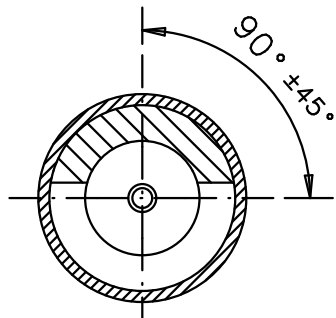
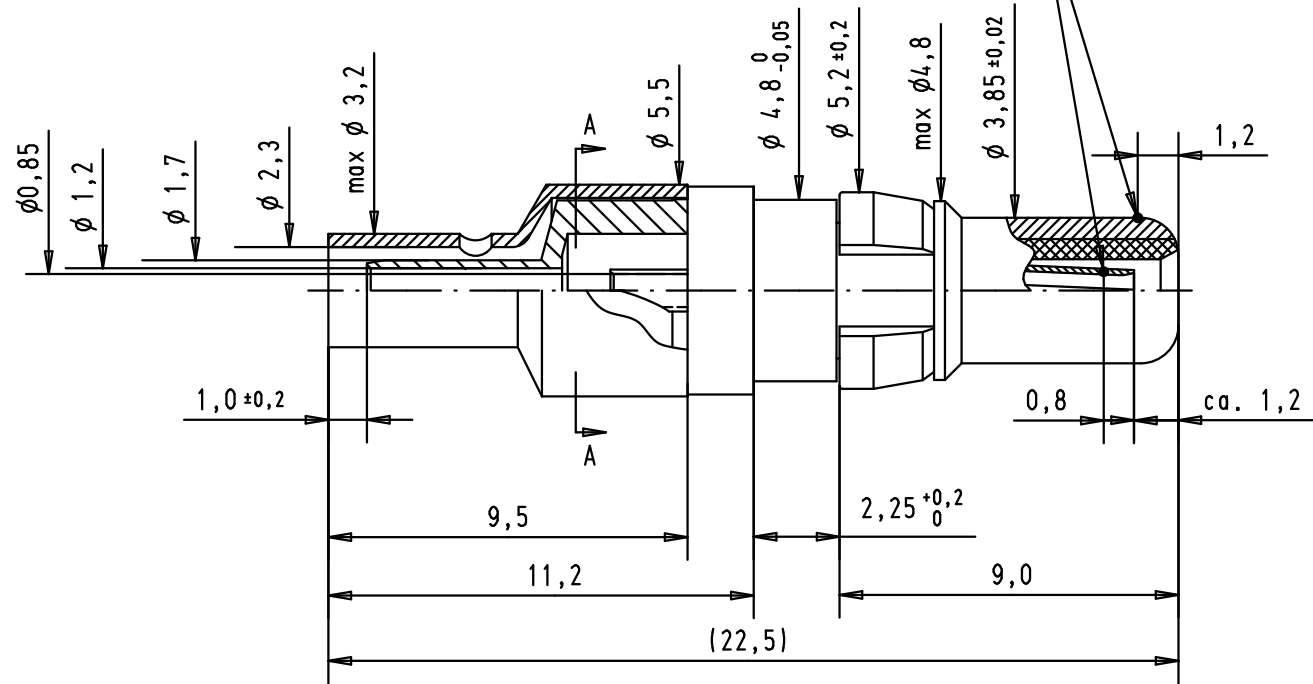
1

Harnessing dimensions for cables: RG178BU BU, RG196AU, RG404U



Scale 3:1

Points of plating thickness measurement



A - A



Solder pot position

Crimping tool of outer conductor:

hand tool: 09 99 000 0503 00

die: 09 99 000 0508 00

A

										Male coaxial contact, 50 Ohms, straight cable termination		Maßstab/Scale
09692817141	Mating area	0,2 µm Au	0,2 µm Au			Detail.	21-JUN-02	CV	 All Dim. in mm Orig. Size DIN A 4	inner conductor for solder termination, outer conductor for solder or crimp termination	5:1	
	Termination area	5 µm Sn	0,2 µm Au			Insp.						
09692815141	Mating area	0,8 µm Au	1,3 µm Au	EC01734	28-APR-10	SC	HARTING EURL F-95972 Paris			TB 09 69 281 x141	Blatt/Page 1/1	
	Termination area	0,2 µm Au	1,3 µm Au	31057	21-JUN-02	CV						
Part number	Plating	outer conductor	inner conductor	Mod.	Dot.	Name				Sub.		