

Potentiometers

Molded composition

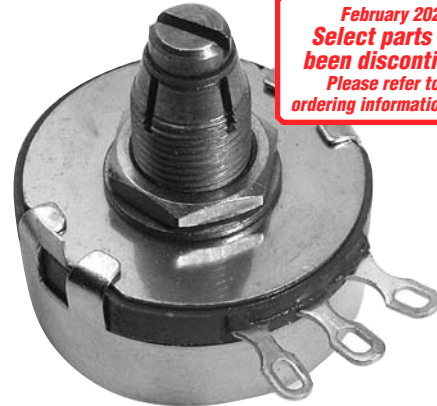


**February 2021:
Select parts have
been discontinued.
Please refer to the
ordering information below.**

Ohmite molded composition potentiometers are available in various models for applications in military devices, industrial equipment and in equipment requiring a convenient resistance control device.

FEATURES

- Low noise, smooth operation
- In accordance with “Mil” RV4N, RV4L, RV6L, RV6N, 2RV7N types
- RoHS compliant; non-RoHS version unavailable.



SERIES SPECIFICATIONS

Model	Watts	Ohmic range	Behind panel (in./mm)	Diameter (in./mm)	Rotation	Voltage (RMS)
AS	0.5	50-5M	0.703/17.9	0.50/12.7	295° ±5°	350
ASM	0.5	50-5M	0.703/17.9	0.50/12.7	295° ±5°	350
CA	2.0	50-5M	0.625/15.9	1.16/29.4	312° ±3°	500
CB	2.0	50-5M	0.625/15.9	1.16/29.4	312° ±3°	500
CU	2.0	50-5M	0.625/15.9	1.16/29.4	312° ±3°	500
CCU	2.0	50-5M	1.266/32.1	1.16/29.4	312° ±3°	500
CLU	2.0	50-5M	0.625/15.9	1.16/29.4	312° ±3°	500
CMU	2.0	50-5M	0.625/15.9	1.16/29.4	312° ±3°	500

CHARACTERISTICS

Derating linear from 100% at +70°C to 0% at +120°C

Operating temp. range -55°C to 120°C

Construction Elements molded into a single, integral structure. Metal cover protects and shields the internal parts.

Sealing synthetic resin containing non-mercurial fungicide

Product life Since all rheostats/potentiometers are electro-mechanical devices, they are subject to mechanical wear and, therefore, have a finite life.

(continued)

Potentiometers

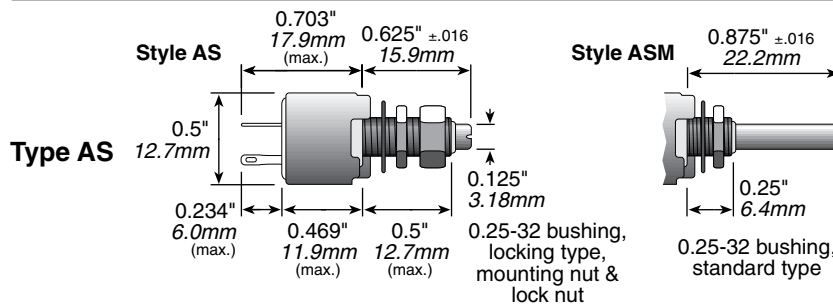
Molded composition

DIMENSIONS

(iin./mm)



Model	Watts	Behind panel	Diameter	Rotation
AS	0.5	0.703/17.9	0.50/12.7	295° ±5°
ASM	0.5	0.703/17.9	0.50/12.7	295° ±5°
CA	2.0	0.625/15.9	1.16/29.4	312° ±3°
CB	2.0	0.625/15.9	1.16/29.4	312° ±3°
CU	2.0	0.625/15.9	1.16/29.4	312° ±3°
CCU	2.0	1.266/32.1	1.16/29.4	312° ±3°
CLU	2.0	0.625/15.9	1.16/29.4	312° ±3°
CMU	2.0	0.625/15.9	1.16/29.4	312° ±3°



ORDERING INFORMATION

Ohmic value	MIL Designation			Part No.										Ohmic value	MIL Designation			Part No.									
	Prefix	Suffix	Part No. Prefix Suffix	CMU	CU	CA	CB	CLU	CCU	RV6LAYSA	RV6NAVSD	CMU	CU		CA	CB	CLU	CCU	RV6LAYSA	RV6NAVSD							
50	—500A	—5001		×	×		×					50,000	—503A	—5031	×	×	✓	×	×	×	AS3609E	×	ASM6669E				
100	—101A	—1011	✓	✓					×	AS3601E	×	ASM6661E	75,000	—753A	—7531	×	×										
150	—151A	—1511	×	×								100,000	—104A	—1041	×	×	✓	✓	×	×	AS3610E	×	ASM6670E				
250	—251A	—2511	×	×						AS3602E	×	ASM6662E	150,000	—154A	—1541	×	×										
350	—351A	—3511	×	✓								250,000	—254A	—2541	✓	×	×	✓	×	×	AS3611E	×	ASM6671E				
500	—501A	—5011	×	✓						AS3603E	×	ASM6663E	350,000	—354A	—3541	×	×										
750	—751A	—7511	×	×								500,000	—504A	—5041	✓	×	×	✓	×	×	AS3612E	×	ASM6672E				
1,000	—102A	—1021	✓	✓						AS3604E	×	ASM6664E	750,000	—754B	—7542	×	×										
1,500	—152A	—1521	✓	×								1,000,000	—105B	—1052	×	×	×	×	×	×	AS3613E	×	ASM6673E				
2,500	—252A	—2521	✓	✓						AS3605E	×	ASM6665E	1,500,000	—155B	—1552	×	×										
3,500	—352A	—3521	×	×								2,000,000	—205B	—2052	×	×					AS3684E	×	ASM6674E				
5,000	—502A	—5021	✓	✓						AS3606E	×	ASM6666E	2,500,000	—255B	—2552	×	×	✓					ASM6675E				
7,500	—752A	—7521	×	×								3,500,000	—355B	—3552	×	×											
10,000	—103A	—1031	✓	✓			✓	✓	✓	AS3607E	✓	ASM6667E	5,000,000	—505B	—5052	×	×				AS3615E	×	ASM6676E				
15,000	—153A	—1531	×	×									25,000	—253A	—2531	✓	✓			×	AS3608E	×	ASM6668E				
25,000	—253A	—2531	✓	✓								35,000	—353A	—3531	✓	×											

✓ = Standard values; check availability
 × = Discontinued
 * add "-E" for RoHS-compliant lead-free zinc-nickel plated product

Mouser Electronics

Authorized Distributor

Click to View Pricing, Inventory, Delivery & Lifecycle Information:

Ohmite:

[CMU3531E](#) [ASM6667E](#) [CA1041E](#) [CCU1031E](#) [CLU1031E](#) [CLU1041E](#) [CLU1521E](#) [CLU2521E](#) [CLU2531E](#)
[CLU2541E](#) [CLU3531E](#) [CLU5021E](#) [CLU5041E](#) [CMU1011E](#) [CMU1021E](#) [CMU1031E](#) [CMU1521E](#) [CMU2521E](#)
[CMU2531E](#) [CMU2541E](#) [CMU5021E](#) [CMU5041E](#) [CU1011E](#) [CU1021E](#) [CU1031E](#) [CU2511E](#) [CU2521E](#) [CU2531E](#)
[CU5011E](#) [CU5021E](#) [CLA-TO-21E](#) [CLA-T220-26E](#) [CLB-T218-21E](#)