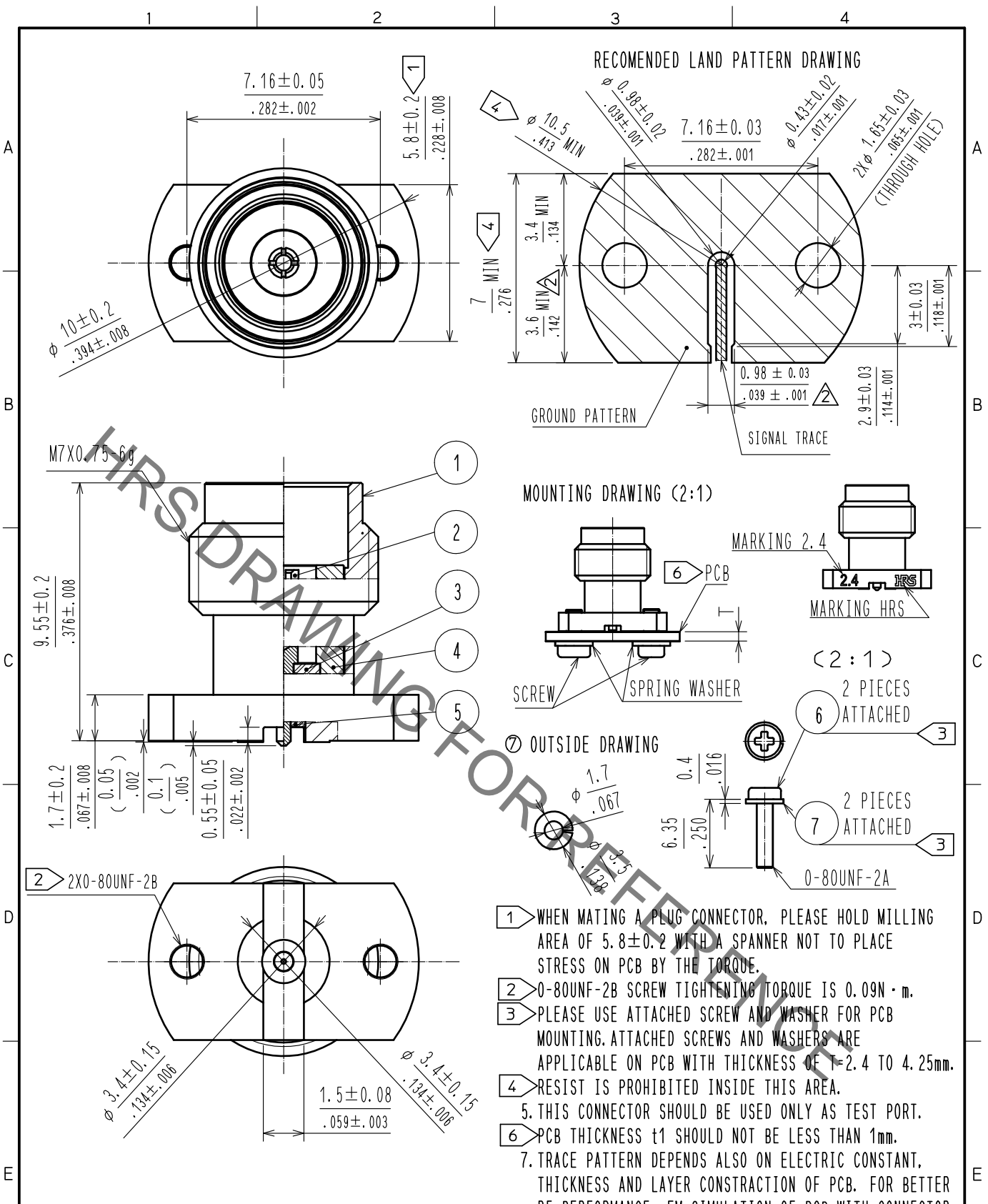


Aug.1.2021 Copyright 2021 HIROSE ELECTRIC CO., LTD. All Rights Reserved.
 In case of consideration for using Automotive equipment / device which demand high reliability, kindly contact our sales window correspondents.



- ① WHEN MATING A PLUG CONNECTOR, PLEASE HOLD MILLING AREA OF 5.8 ± 0.2 WITH A SPANNER NOT TO PLACE STRESS ON PCB BY THE TORQUE.
- ② 0-80UNF-2B SCREW TIGHTENING TORQUE IS $0.09N \cdot m$.
- ③ PLEASE USE ATTACHED SCREW AND WASHER FOR PCB MOUNTING. ATTACHED SCREWS AND WASHERS ARE APPLICABLE ON PCB WITH THICKNESS OF $t=2.4$ TO $4.25mm$.
- ④ RESIST IS PROHIBITED INSIDE THIS AREA.
- ⑤ THIS CONNECTOR SHOULD BE USED ONLY AS TEST PORT.
- ⑥ PCB THICKNESS t_1 SHOULD NOT BE LESS THAN $1mm$.
- ⑦ TRACE PATTERN DEPENDS ALSO ON ELECTRIC CONSTANT, THICKNESS AND LAYER CONSTRUCTION OF PCB. FOR BETTER RF PERFORMANCE, EM SIMULATION OF PCB WITH CONNECTOR IS RECOMMENDED.

NO.	MATERIAL	FINISH	REMARKS	NO.	MATERIAL	FINISH	REMARKS
4	STAINLESS STEEL	PASSIVATED		7	STAINLESS STEEL		SPRING WASHER
3	PTFE			6	STEEL		0-80UNF-2A SCREW
2	BERYLLIUM COPPER	GOLD PLATING		5	PEI		
1	STAINLESS STEEL	GOLD PLATING					

UNITS mm / inch		SCALE 5 : 1	COUNT 2	DESCRIPTION OF REVISIONS DIS-D-00006614	DESIGNED MS. MATSUMOTO	CHECKED AH. MARUYAMA	DATE 20210218
HIROSE ELECTRIC CO., LTD. APPROVED : TS. NOBE 20200521 CHECKED : NK. NINOMIYA 20200521 DESIGNED : AH. MARUYAMA 20200520 DRAWN : AH. MARUYAMA 20200520				DRAWING NO. EDC-374263-11-00 PART NO. H2. 4-R-SR2-S<11> CODE NO. CL0338-0605-0-11			

Mouser Electronics

Authorized Distributor

Click to View Pricing, Inventory, Delivery & Lifecycle Information:

[Hirose Electric:](#)

[H2.4-R-SR2-S\(11\)](#)