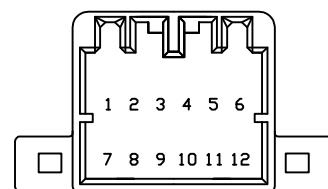
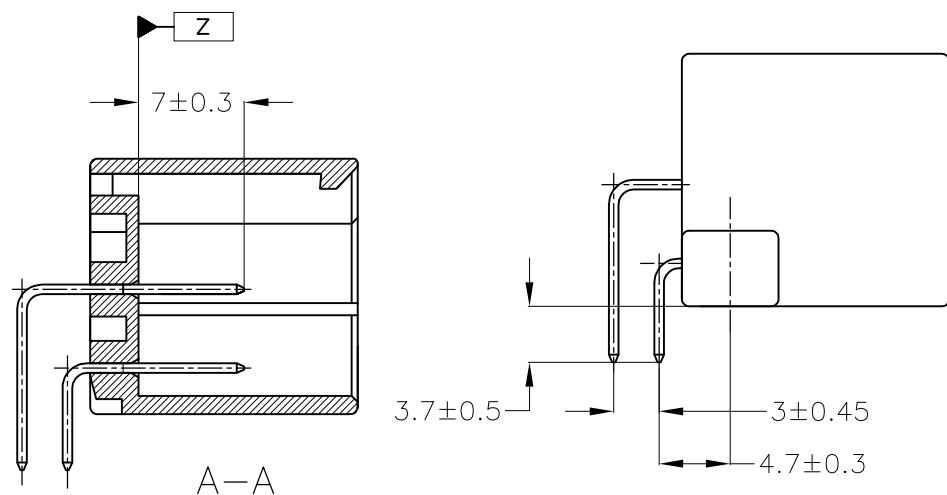
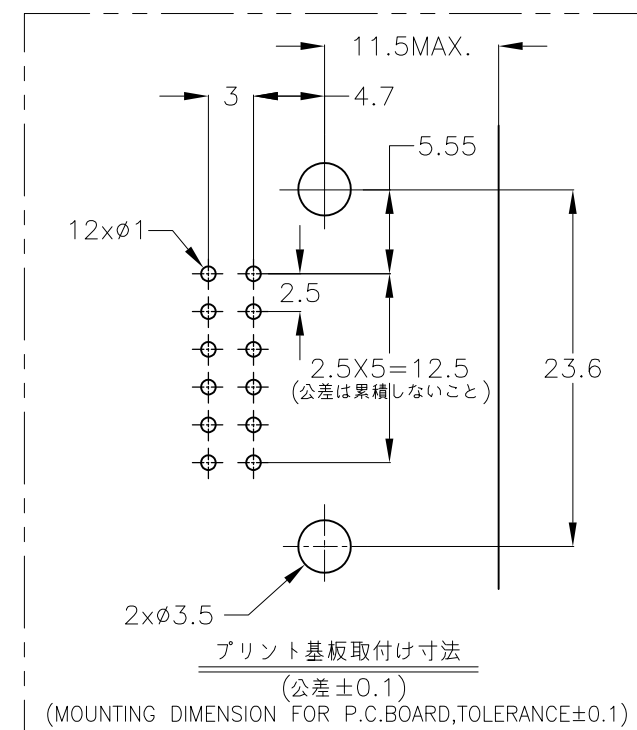
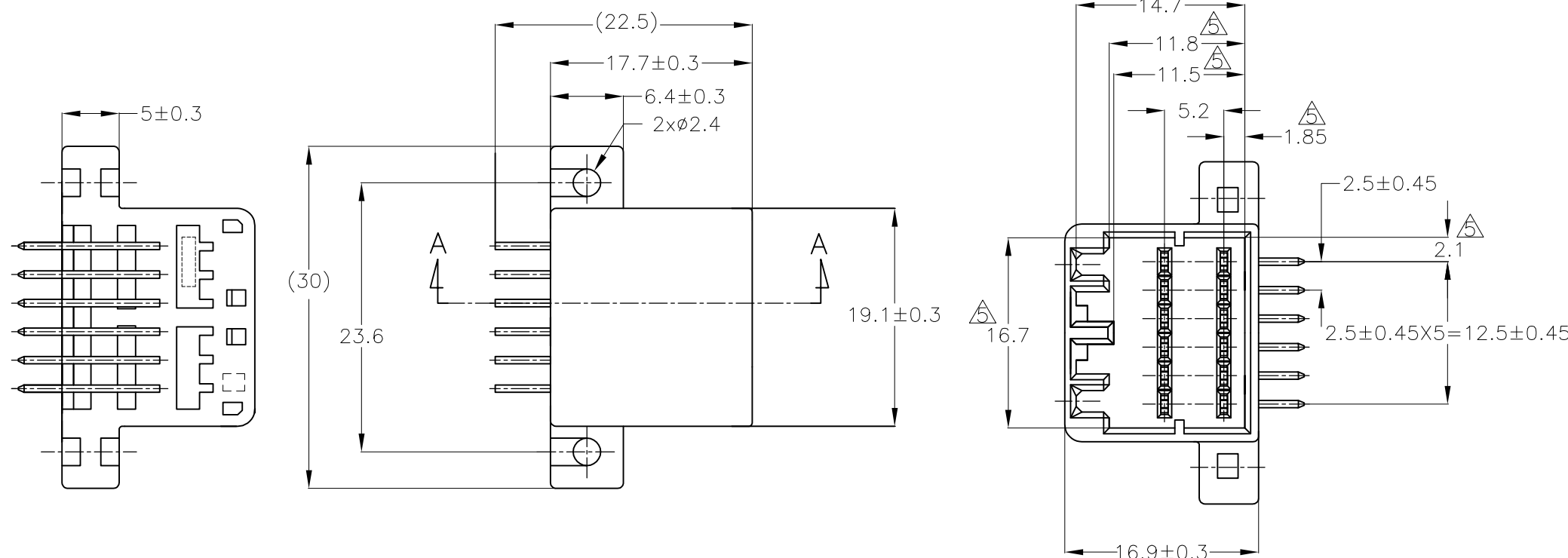


P	LTR	DESCRIPTION	DATE	DWN	APVD
E5	REVISED	ECR-16-003341	14OCT2016	KF	HY



- 1 APPLICABLE P.C.B. BOARD THICKNESS; 1.6mm
  - 2 RECOMMENDED MOUNTING SCREW 3mmDIA 6mmLENGTH(MIN) TAPPING SCREW SPECIFIED IN JIS B1115,B1122 (TIGHTENING TORQUE;0.392N·m MAX)
  - 3 THE MATING PLUG HSG PART NUMBER;175965
  - 4 APPLICABLE PRODUCT SPEC NO.;108-5281
- △ TO BE MEASURED WITHIN 2mm FROM Z
- △ CIRCUIT NUMBER.
- 1 適用プリント基板厚:1.6mm
  - 2 推奨取付ネジ: JIS B1115,B1122 タッピングネジ、ナベ2種呼び径3、長さ6mm以上 (締付トルク: 0.392N·m以下)
  - 3 嵌合相手ハウジング: 175965
  - 4 適用製品規格番号: 108-5281
- △ Zより2mmの範囲で測定。
- △ 回路番号: 下図参照のこと。

TOLERANCE UNLESS OTHERWISE SPECIFIED: 一般公差	
0 < * ≤ 10	: ±0.2
10 < * ≤ 30	: ±0.25
30 < * ≤ 100	: ±0.3
ANGLE ; 角度	: ±3°

THIS DRAWING IS A CONTROLLED DOCUMENT.

DIMENSIONS: 単位: 耗 mm	TOLERANCES UNLESS OTHERWISE SPECIFIED: 一般公差
	0-PLC ±
	1-PLC ±
	2-PLC ±
	3-PLC ±
	4-PLC ±
	ANGLES ±
MATERIAL 材料 HSG: PBT CONTACT: BRASS	FINISH 仕上 SEE TABLE

SELECTIVE-TIN (MATTE)	SELECTIVE GOLD X 12	1~12	BLACK	1-5175974-2
PRE-TIN X 9		1, 2, 8	GREEN	2-175974-4
TIN-LEAD	SELECTIVE GOLD X 3	1, 2, 8	BLACK	2-175974-2
PRE-TIN X 9		1, 2, 8	BLACK	2-175974-2
TIN-LEAD	SELECTIVE GOLD X 3	1, 2, 8	BLACK	2-175974-2
SELECTIVE-TIN (MATTE)	SELECTIVE-TIN	-	BLACK	175974-3
PRE-TIN		-	BLACK	175974-2
SOLDERING SIDE 半田付け部	CONTACT SIDE 接触部側	GOLD PLATED CIRCUIT NO 金めっき回路番号	COLOR 色	PART NUMBER 製品型番
CONTACT FINISH コンタクト仕上		△		

DWN A.YAMAGUCHI 20AUG04	<b>STE</b> TE Connectivity			
CHK H.YAMAGAMI 20AUG04				
APVD S.ISOHATA 20AUG04	NAME 名称	12POSITION CAP HOUSING ASSEMBLY(H-TYPE) 040 SERIES MULTILOCK I/O CONN MK-II		
PRODUCT SPEC 製品規格 108-5281	SIZE	CAGE CODE	DRAWING NO 番号	RESTRICTED TO
APPLICATION SPEC 取付適用規格	4.3 g	A300779	C-175974	-
CUSTOMER DRAWING		SCALE 尺度 2:1	SHEET 1 OF 1	REV E5

# Mouser Electronics

Authorized Distributor

Click to View Pricing, Inventory, Delivery & Lifecycle Information:

[TE Connectivity:](#)

[175974-2](#)