

MHDTZK Series

Diecast Hood & D-Sub Connector Kit | Machined



Description

- Machined D-Sub connector, solder bucket contacts, Gold plated all over
- Strong Nickel plated, diecast Zinc hood
- Straight cable entry
- Will accommodate 4.0mm to 13.0mm diameter cable
- Compression cable clamp inserts for 4, 5, 7 and 9mm diameter cable
- Compression inserts can be mixed to obtain maximum cable retention
- 4-40 UNC plastic capped jackscrews

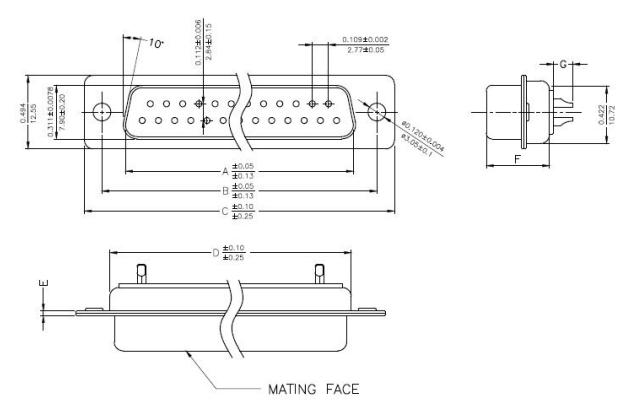
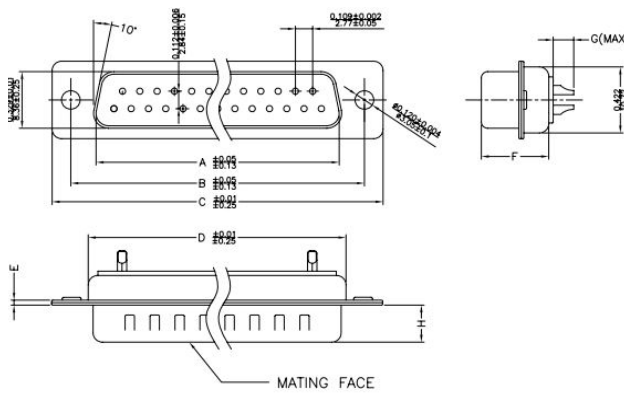
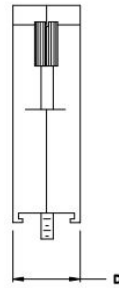
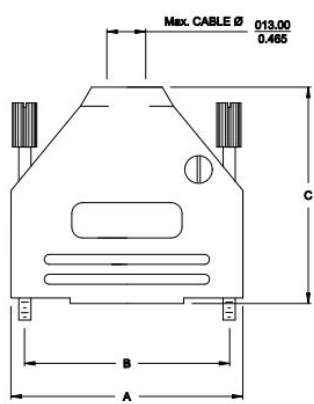
Specification



D-Sub	
Voltage Rating	250V
Current Rating	5 Amps
Contact Resistance	25mΩ Max
Insulation Resistance	1000MΩ
Operating Temperature	-55°C to 105°C
Shell	Tin plated Steel
Insulator Material	Glass filled Polyester
Contact Material	Copper alloy
Contact Plating	Selective Gold over Nickel, solder bucket: Tin plated

Hood	
No. Contacts	9, 15 & 25
Kit Type	D-Sub connector kit
Housing Material	Nickel plated Zinc
Cable Entry	Straight
Cable OD	Up to 13.0mm

The Kit Contains		
Backshell Halves		x 2
D-Sub connector		x 1
Housing screws		x 2
4-40 UNC Plastic capped jackscrews		x 2
Compression inserts		x 1



Hood Dimensions				
Size	A	B	C	D
09	31.20mm	24.99mm	39.90mm	15.00mm
	1.228"	0.984"	1.571"	0.591"
15	39.50mm	33.32mm	41.50mm	15.00mm
	1.555"	1.312"	1.634"	0.591"
25	53.40mm	47.04mm	48.60mm	15.00mm
	2.102"	1.852"	1.913"	0.591"

Male Dimensions			
	09	15	25
A	16.92mm	25.25mm	38.96mm
B	24.99mm	33.32mm	47.04mm
C	30.81mm	39.14mm	53.04mm
D	19.23mm	27.56mm	41.30mm
E	1.0mm	1.0mm	1.0mm
F	10.8mm	10.8mm	10.8mm
G	2.7mm	2.7mm	2.7mm
H	5.84mm	5.84mm	5.84mm

Female Dimensions			
	09	15	25
A	16.33mm	24.66mm	38.38mm
B	24.99mm	33.32mm	47.04mm
C	30.81mm	39.14mm	53.04mm
D	19.28mm	27.51mm	41.30mm
E	1.0mm	1.0mm	1.0mm
F	10.8mm	10.8mm	10.8mm
G	2.30mm	2.30mm	2.30mm

Part No.	Norcomp Part No.	Positions	Male/Female	Contact Type	Hood Part No.	Norcomp Part No.	D-Sub Part No.	Norcomp Part No.
MHDTZK9-DM9P-K	999-009-E30M102	9 Pin	Male	Machined	MHDTZK-9-K	970-009-030R121	MHDM9SP	172-009-102R001
MHDTZK15-DM15P-K	999-015-E30M102	15 Pin	Male	Machined	MHDTZK-15-K	970-015-030R121	MHDM15SP	172-015-102R001
MHDTZK25-DM25P-K	999-025-E30M102	25 Pin	Male	Machined	MHDTZK-25-K	970-025-030R121	MHDM25SP	172-025-102R001
MHDTZK9-DM9S-K	999-009-E30M202	9 Pin	Female	Machined	MHDTZK-9-K	970-009-030R121	MHDM9SS	172-009-202-R001
MHDTZK15-DM15S-K	999-015-E30M202	15 Pin	Female	Machined	MHDTZK-15-K	970-015-030R121	MHDM15SS	172-015-202-R001
MHDTZK25-DM25S-K	999-025-E30M202	25 Pin	Female	Machined	MHDTZK-25-K	970-025-030R121	MHDM25SS	172-025-202-R001

Mouser Electronics

Authorized Distributor

Click to View Pricing, Inventory, Delivery & Lifecycle Information:

[NorComp:](#)

[MHDTZK15-DM15P-K](#) [MHDTZK15-DM15S-K](#) [MHDTZK9-DM9P-K](#) [MHDTZK25-DM25P-K](#) [MHDTZK9-DM9S-K](#)
[MHDTZK25-DM25S-K](#)