

THIS DRAWING IS UNPUBLISHED.

RELEASED FOR PUBLICATION JAN ,2018.

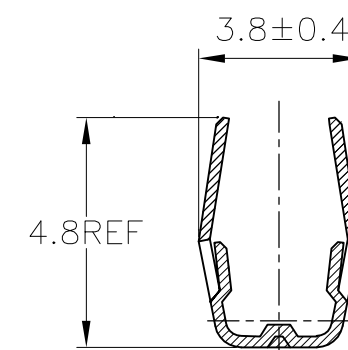
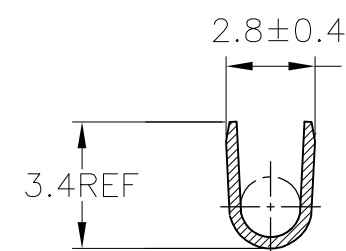
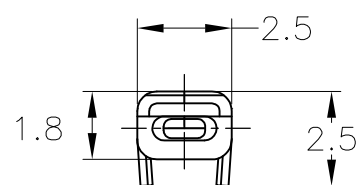
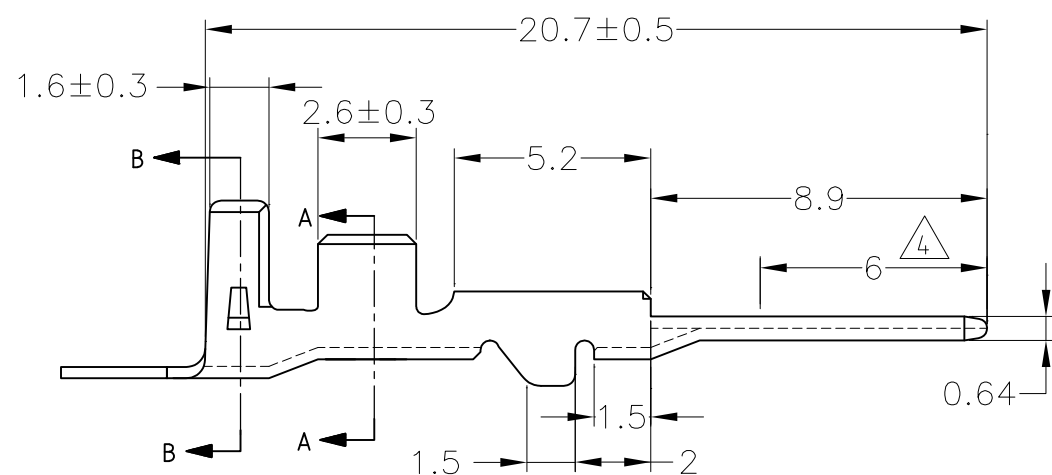
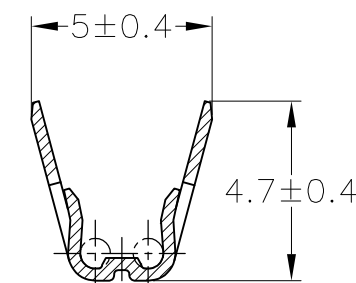
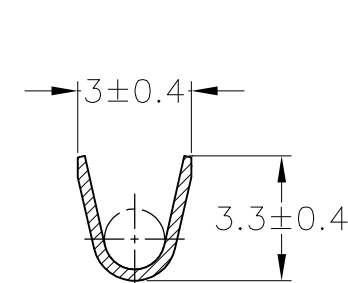
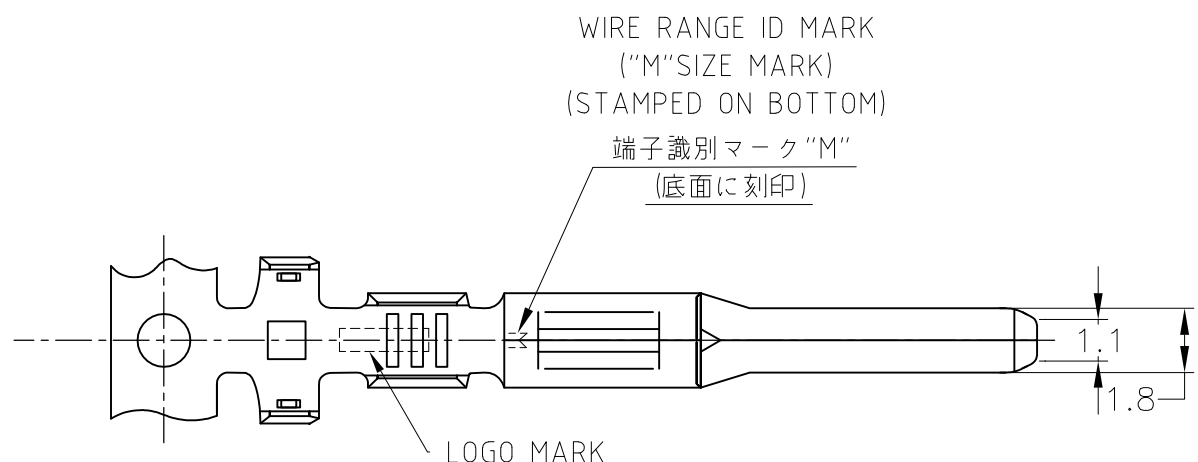
© COPYRIGHT 2018 TE Connectivity Ltd.

ALL RIGHTS RESERVED.

REVISIONS

変更

P	LTR	DESCRIPTION	DATE	DWN	APVD
	F	REVISED	ECR-17-012605	25JAN2018	YN TK



1. 製品規格; 108-5231, 108-5264

2. 嵌合相手端子型番; 173631 他

3. 圧着規格; 114-5092

△部分金めっき, 他はニッケルめっき

1. SPEC; 108-5231, 108-5264

2. RECEPTACLE CONTACT; 173631 etc

3. APPLICATION SPECIFICATION; 114-5092

△SELECTIVE GOLD PLATING, REMAINDER NICKEL PLATING

TOLERANCES UNLESS OTHERWISE SPECIFIED:
一般公差

10 _≥	±0.2
30 _≥ > 10	±0.25
100 _≥ > 30	±0.3
ANGLE	±3°

THIS DRAWING IS A CONTROLLED DOCUMENT.

DIMENSIONS: 単位: 耗 mm	TOLERANCES UNLESS OTHERWISE SPECIFIED: 一般公差
	0 PLC ± - 1 PLC ± - 2 PLC ± - 3 PLC ± - 4 PLC ± - ANGLES ± -
MATERIAL 材料	FINISH 仕上
SEE TABLE	SEE TABLE

DWN	M.SUGAWARA	16MAY06
CHK	T.SHINOHARA	16MAY06
APVD	K.BETSUI	16MAY06
PRODUCT SPEC	製品規格	SEE NOTE
APPLICATION SPEC	取付適用規格	SEE NOTE
WEIGHT	-	

SEE DRAWING 173645-5			173645-5
175030-3	部分金めっき SELECTIVE GOLD	リン青銅 板厚0.32 PHOS BRO. ±0.32	173645-3
175030-2	錫めっき済み PRE-TINNED	リン青銅 板厚0.32 PHOS BRO. ±0.32	173645-2
175030-1	錫めっき済み PRE-TINNED	黄銅 板厚0.32 BRASS ±0.32	173645-1
パラ端子型番 L/P NUMBER	仕上 FINISH	材料 MATERIAL	型番 PART NUMBER

STE TE Connectivity Ltd.

070 SERIES TAB CONTACT

SIZE	CAGE CODE	DRAWING NO 番号	RESTRICTED TO
A3	00779	G-173645	-

CUSTOMER DRAWING SCALE 5:1 SHEET 1 OF 1 REV F

Mouser Electronics

Authorized Distributor

Click to View Pricing, Inventory, Delivery & Lifecycle Information:

[TE Connectivity:](#)

[173645-3](#) [173645-1](#)