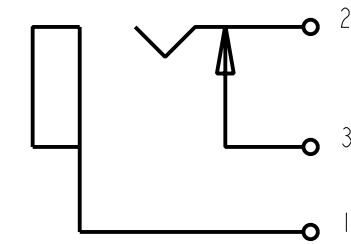


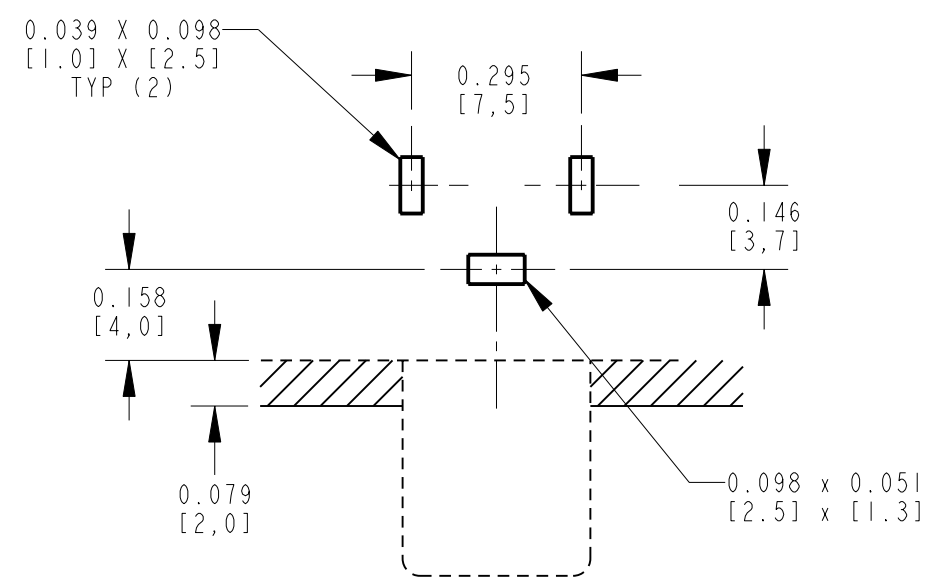
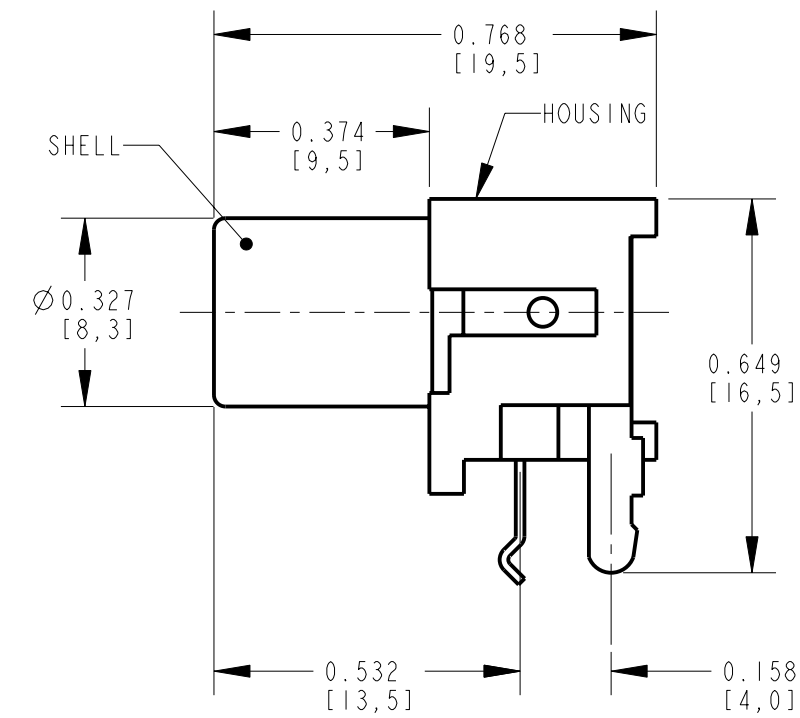
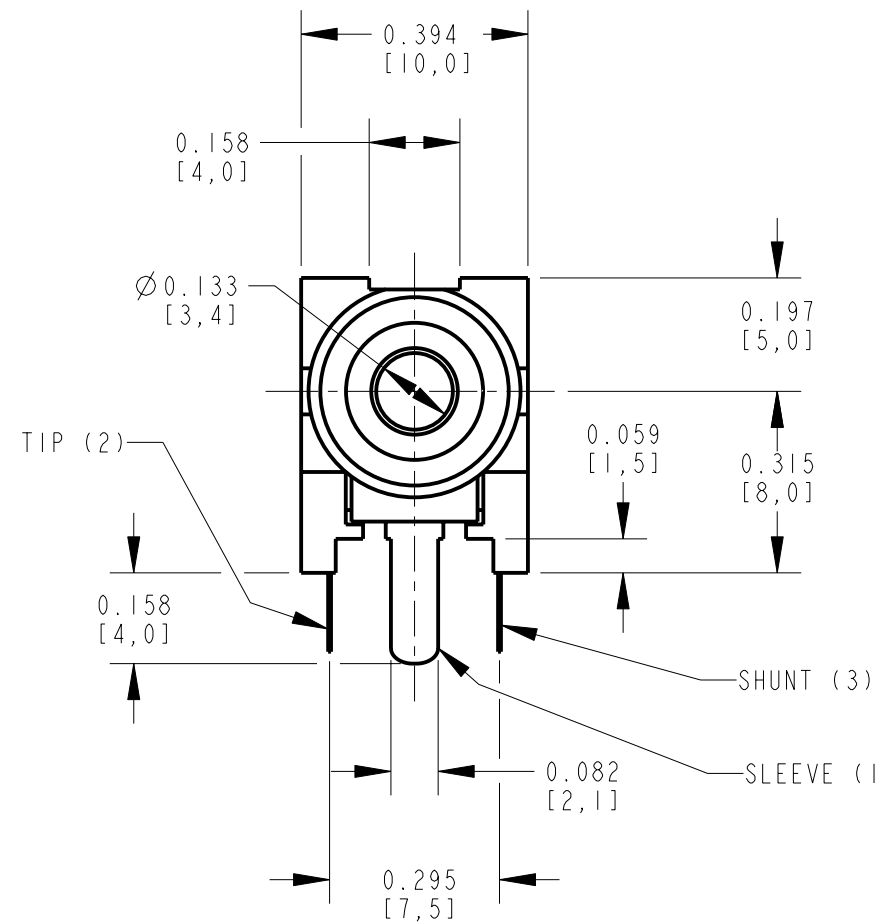
**NOTES:**

1. ALL DIMENSIONS ARE REFERENCE.
2. MATERIALS:  
HOUSING: ABS, UL-94HB  
SHELL & SLEEVE TERMINAL: COPPER ALLOY,  
NICKEL OR GOLD PLATED  
TIP & SHUNT TERMINALS: COPPER ALLOY, TIN PLATED
3. THIS PART IS RoHS COMPLIANT

PART NUMBER	COLOR OF HOUSING	SHELL AND SLEEVE TERMINAL FINISH
PJ-RANIXIU01X	BLACK	NICKEL PLATED
PJ-RANIXIU01AUX	BLACK	GOLD PLATED
PJ-RANIXIU02X	WHITE	NICKEL PLATED
PJ-RANIXIU02AUX	WHITE	GOLD PLATED
PJ-RANIXIU03X	RED	NICKEL PLATED
PJ-RANIXIU03AUX	RED	GOLD PLATED
PJ-RANIXIU04X	YELLOW	NICKEL PLATED
PJ-RANIXIU04AUX	YELLOW	GOLD PLATED
PJ-RANIXIU07X	ORANGE	NICKEL PLATED



**SCHEMATIC**



**P.C. BOARD LAYOUT  
COMPONENT SIDE**

**CUSTOMER DRAWING**

<p>★ STAR SYMBOL DENOTES CRITICAL DIMENSION</p> <p>UNLESS OTHERWISE SPECIFIED</p> <p>1. ALL DIMENSIONS IN INCHES - TWO PLACE DECIMALS ±0.01 - THREE PLACE DECIMALS ±0.005 - ANGLES ±1° - ALL DIA. CONCENTRIC WITHIN 0.005 T.I.R.</p> <p>2. FEATURES ON THE SAME CENTERLINE MUST BE ALIGNED WITHIN ±0.002</p> <p>3. REMOVE ALL BURRS</p>					<p>THIS DRAWING DESCRIBES A DESIGN CONSIDERED PROPRIETARY IN NATURE, DEVELOPED AND MANUFACTURED BY SWITCHCRAFT INC. AND IS RELEASED ON A CONFIDENTIAL BASIS FOR IDENTIFICATION PURPOSES ONLY.</p>				
					SIZE	WIDTH	MULT	LBS/M	TEMPER
<p>DATE DRAWN</p> <p>13-Jan-06</p>			<p>BY</p> <p>JL</p>	<p>CHKD</p> <p>TJK</p> <p>1-13-06</p>	<p>APVD</p> <p>TJK</p> <p>1-13-06</p>	<p>SCALE</p> <p>3:1</p>		<p><b>Switchcraft</b></p>	
<p>REVISIONS</p>					<p>NAME</p> <p>PHONO JACK - RIGHT ANGLE</p> <p>1 POS, PC MOUNT, UNSHIELDED, RoHS</p>		<p>PART No.</p> <p>PJ-RANIXIU_-X SERIES</p>		<p>REV</p> <p>A</p>

DO NOT SCALE DRAWING

# Mouser Electronics

Authorized Distributor

Click to View Pricing, Inventory, Delivery & Lifecycle Information:

## Switchcraft:

[PJРАН1Х1U01Х](#) [PJРАН1Х1U02АUX](#) [PJРАН1Х1U02Х](#) [PJРАН1Х1U03Х](#) [PJРАН1Х1U04АUX](#) [PJРАН1Х1U04Х](#)  
[PJРАН1Х1U04AU](#) [PJРАН1Х1U03АUX](#) [PJРАН1Х1U01АUX](#) [PJРАН3Х1U03AU](#)