



# TGA2576-2-FL

## 2.5 – 6.0 GHz 40 W GaN Power Amplifier

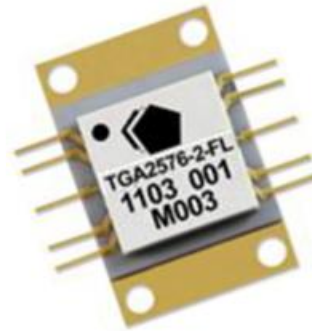
### Product Overview

Qorvo's TGA2576-2-FL is a wideband power amplifier fabricated on Qorvo's proven 0.25um GaN on SiC production technology. Operating from 2.5 to 6 GHz, the TGA2576-2-FL achieves 40W of saturated output power, greater than 36% power-added efficiency and 29dB small signal gain.

For ideal thermal management and handling, the TGA2576-2-FL is offered in a CuW-based flanged packaged and can operate in both CW and pulsed modes.

Both RF ports are fully matched to 50Ω, the TGA2576-2-FL is ideally suited to support a variety of commercial and defense related applications.

Lead-free and RoHS compliant.

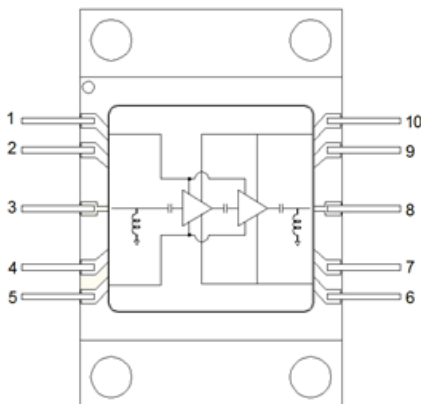


### Key Features

- Frequency Range: 2.5 to 6 GHz
- $P_{SAT}$ : 46.5 dBm ( $P_{IN} = 26$  dBm)
- PAE: 36% ( $P_{IN} = 26$  dBm)
- Small Signal Gain: 29 dB
- Bias: Pulse  $V_D = 30$  V,  $I_{DQ} = 1.55$  A
- Dimensions: 11.4 x 17.3 x 3.0 mm

*Performance is typical across frequency. Please reference electrical specification table and data plots for more details.*

### Functional Block Diagram



### Applications

- Communications
- Electronic Warfare
- Test Instrumentation
- EMC Amplifier

### Ordering Information

Part No.	Description
TGA2576-2-FL	2.5–6.0 GHz 40 Watt GaN Power Amplifier
TGA2576-2-FL EVB	Evaluation Board

## Absolute Maximum Ratings

Parameter	Rating
Drain Voltage ( $V_D$ )	40 V
Gate Voltage ( $V_G$ )	-8 to 0 V
Drain Current ( $I_D$ )	5000 mA
Gate Current ( $I_G$ )	See plot, page 6
Power Dissipation ( $P_{DISS}$ )	93 W
RF Input Power, CW, Output Load 50 $\Omega$ , $V_D = 30$ V, $I_{DQ} = 1.55$ A, $T = 85$ °C	32 dBm
RF Input Power, CW, Output Load VSWR = 3:1, $V_D = 30$ V, $I_{DQ} = 1.55$ A, $T = 85$ °C	27 dBm
Soldering Temperature (leads)	260 °C
Storage Temperature	-40 to +150 °C

Exceeding any one or a combination of the Absolute Maximum Rating conditions may cause permanent damage to the device. Extended application of Absolute Maximum Rating conditions to the device may reduce device reliability.

## Recommended Operating Conditions

Parameter	Min
Drain Voltage ( $V_D$ )	30 V
Drain Current ( $I_{DQ}$ )	1550 mA
Drain Current ( $I_{D\_DRIVE}$ )	4300 mA
Operating Temperature	-40 to +85 °C

Electrical specifications are measured at specified test conditions. Specifications are not guaranteed over all recommended operating conditions.

## Electrical Specifications

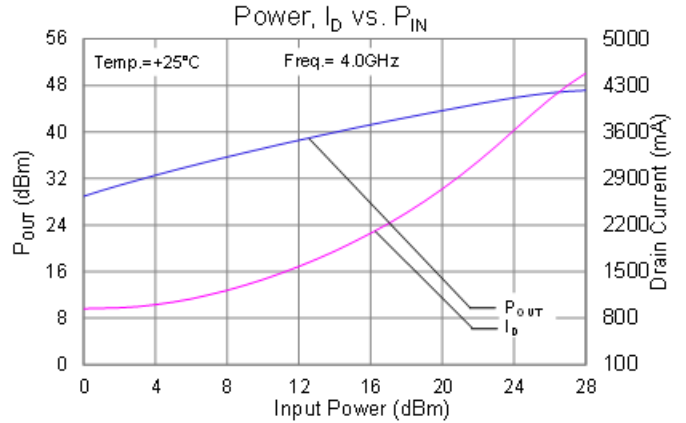
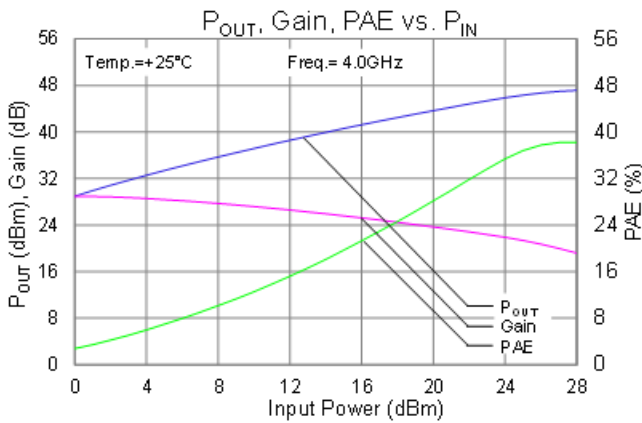
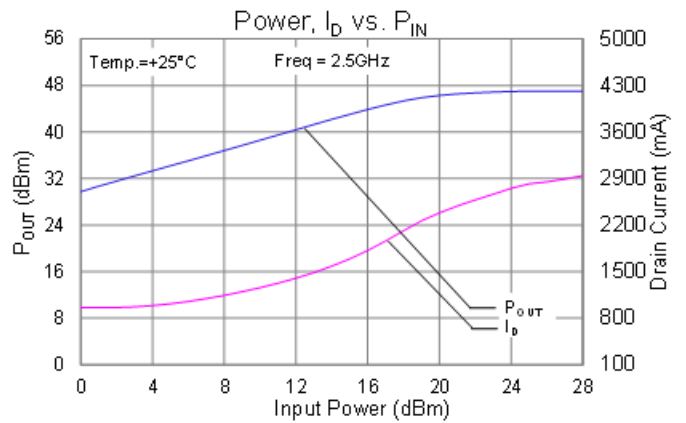
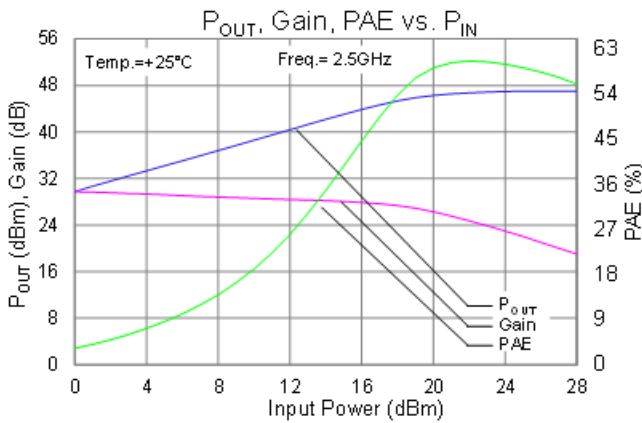
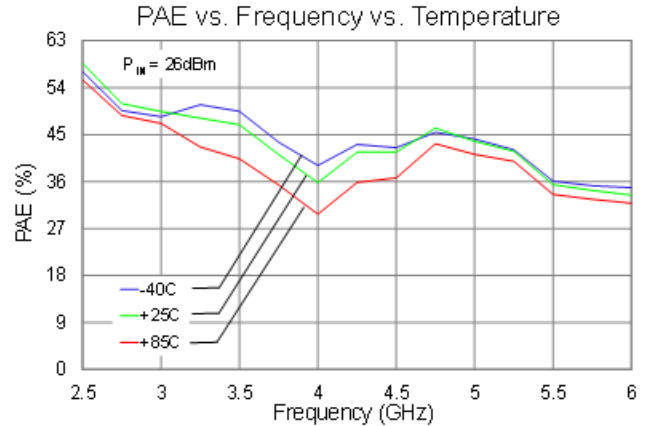
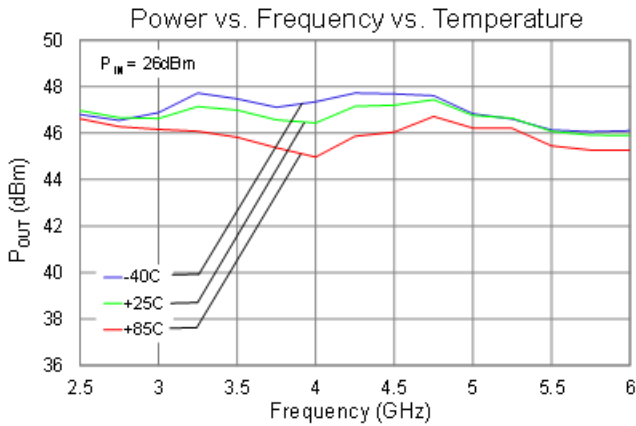
Parameter	Min	Typ	Max	Units
Operational Frequency Range	2.5		6.0	GHz
Small Signal Gain		29		dB
Output Power @ Saturation ( $P_{in} = 26$ dBm)		46.5		dBm
Power-Added Efficiency (midband; $P_{in} = 26$ dBm)		36		%
Gate Leakage ( $V_D = 10$ V, $V_G = -3.7$ V)	-20		-0.0001	mA
Small Signal Gain Temperature Coefficient		-0.02		dB/°C
Output Power Temperature Coefficient		-0.02		dBm/°C

**Notes:**

Test conditions unless otherwise noted:  $T=25$  °C,  $V_D = 30$  V,  $I_{DQ} = 1550$  mA, CW operation

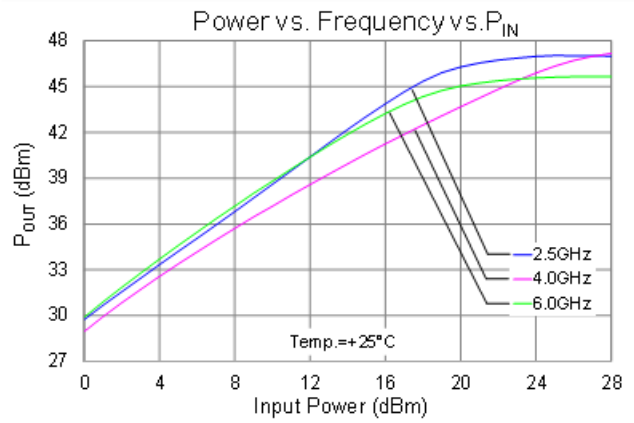
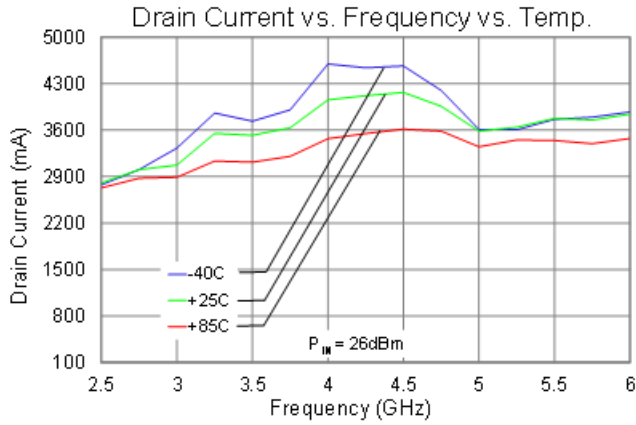
## Performance Plots – Large Signal

Test conditions unless otherwise noted:  $T=25\text{ }^{\circ}\text{C}$ ,  $V_D=30\text{ V}$ ,  $I_{DQ}=1550\text{ mA}$ , CW



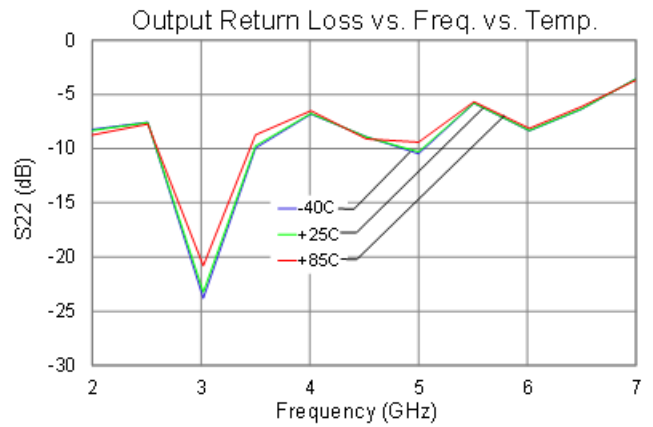
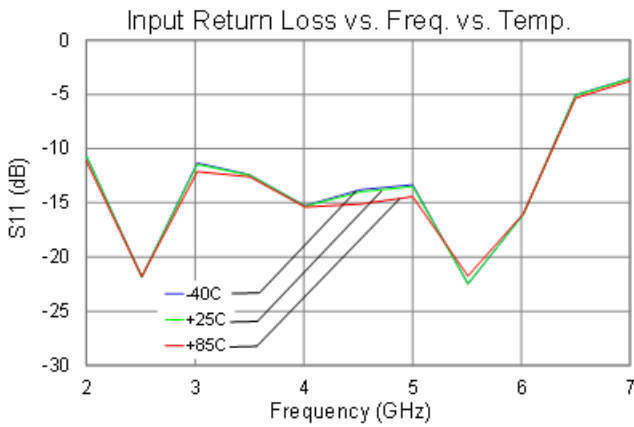
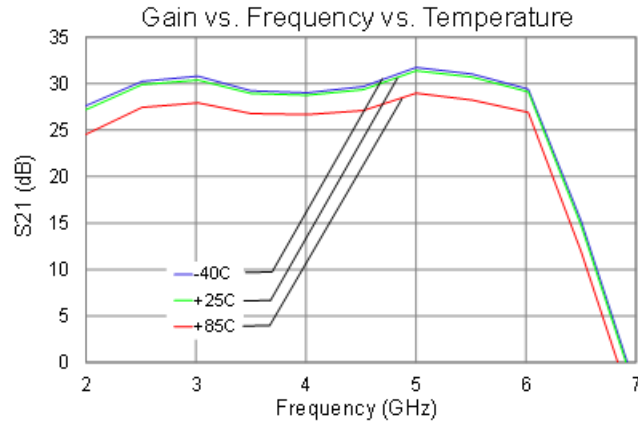
## Performance Plots – Large Signal

Test conditions unless otherwise noted:  $T=25\text{ }^{\circ}\text{C}$ ,  $V_D = 30\text{ V}$ ,  $I_{BQ} = 1550\text{ mA}$ , CW



**Performance Plots – Small Signal**

Test conditions unless otherwise noted:  $T=25\text{ }^{\circ}\text{C}$ ,  $V_D = 30\text{ V}$ ,  $I_{BQ} = 1550\text{ mA}$



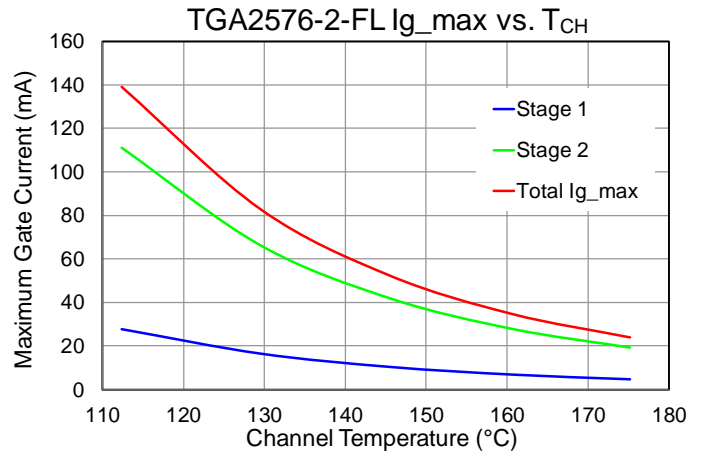
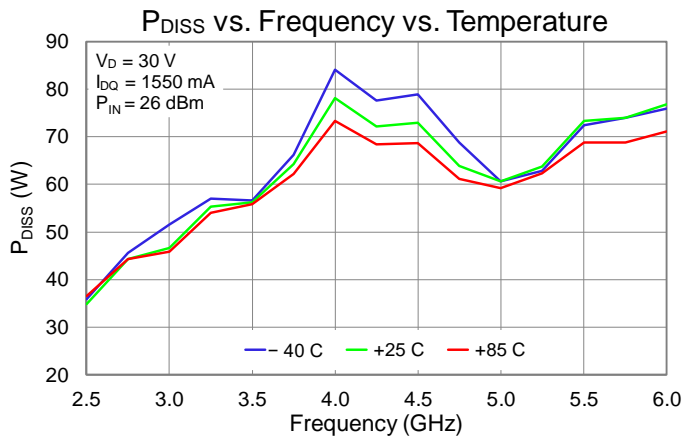
## Thermal and Reliability Information

Parameter	Test Conditions	Value	Units
Thermal Resistance ( $\theta_{JC}$ ) <sup>(1)</sup>	T <sub>BASE</sub> = 85 °C, V <sub>D</sub> = 30 V, I <sub>DQ</sub> = 1550 mA, I <sub>D_Drive</sub> = 3600 mA, P <sub>OUT</sub> = 46 dBm, P <sub>DISS</sub> = 72 W	1.245	°C/W
Channel Temperature, T <sub>CH</sub> (Under RF Drive) <sup>(2)</sup>		174.6	°C

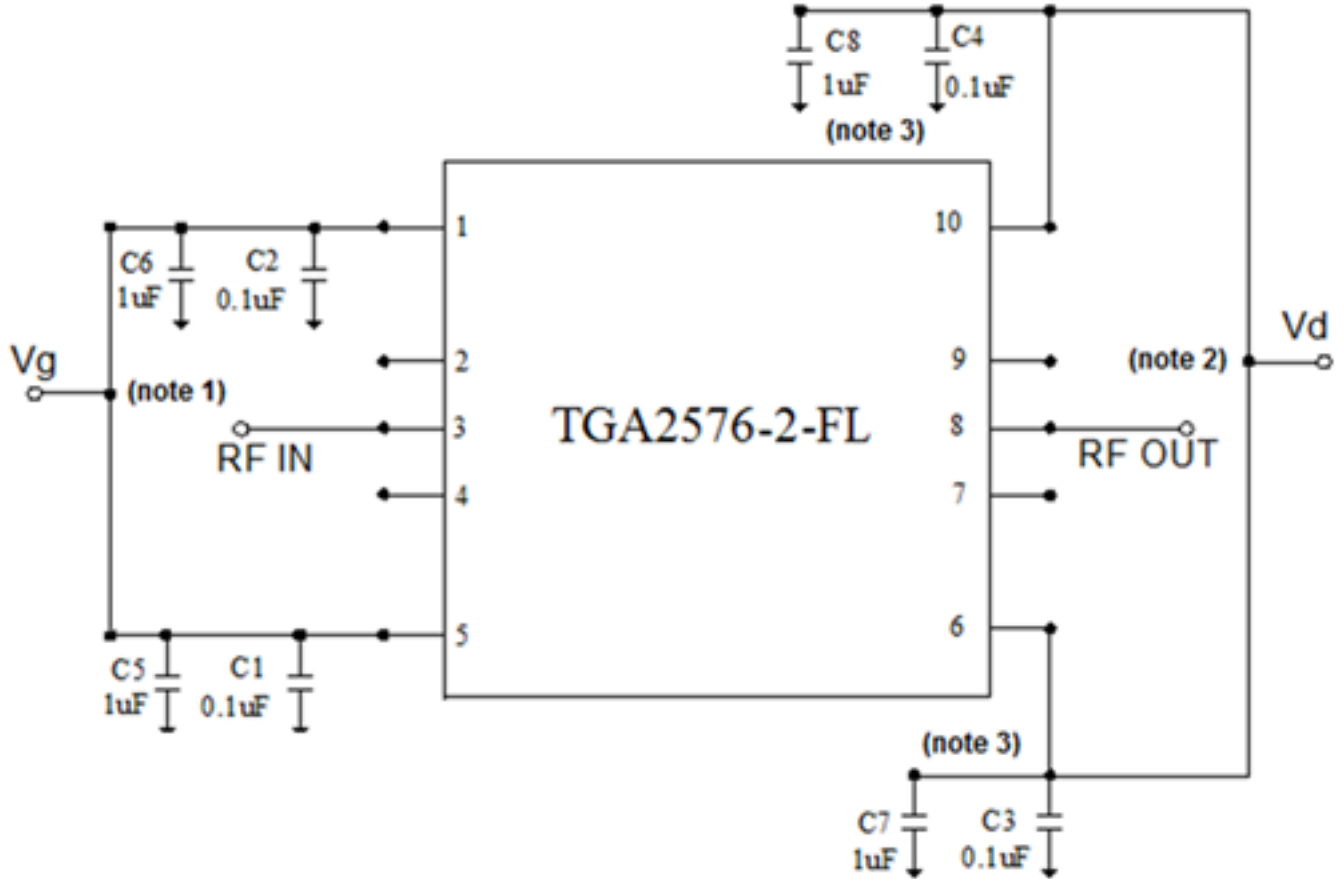
Notes:

1. Thermal resistance referenced to the back of the package (T = 85 °C).
2. Refer to the following document: [GaN Device Channel Temperature, Thermal Resistance, and Reliability Estimates](#)

## Dissipated Power and Maximum Gate Current



Applications Information



Notes:

1.  $V_G$  can be biased from both sides (Pins 1 and 5)
2.  $V_D$  must be biased from both sides (Pins 6 and 10)
3. C7 and C8 may be removed for pulsed drain operation.

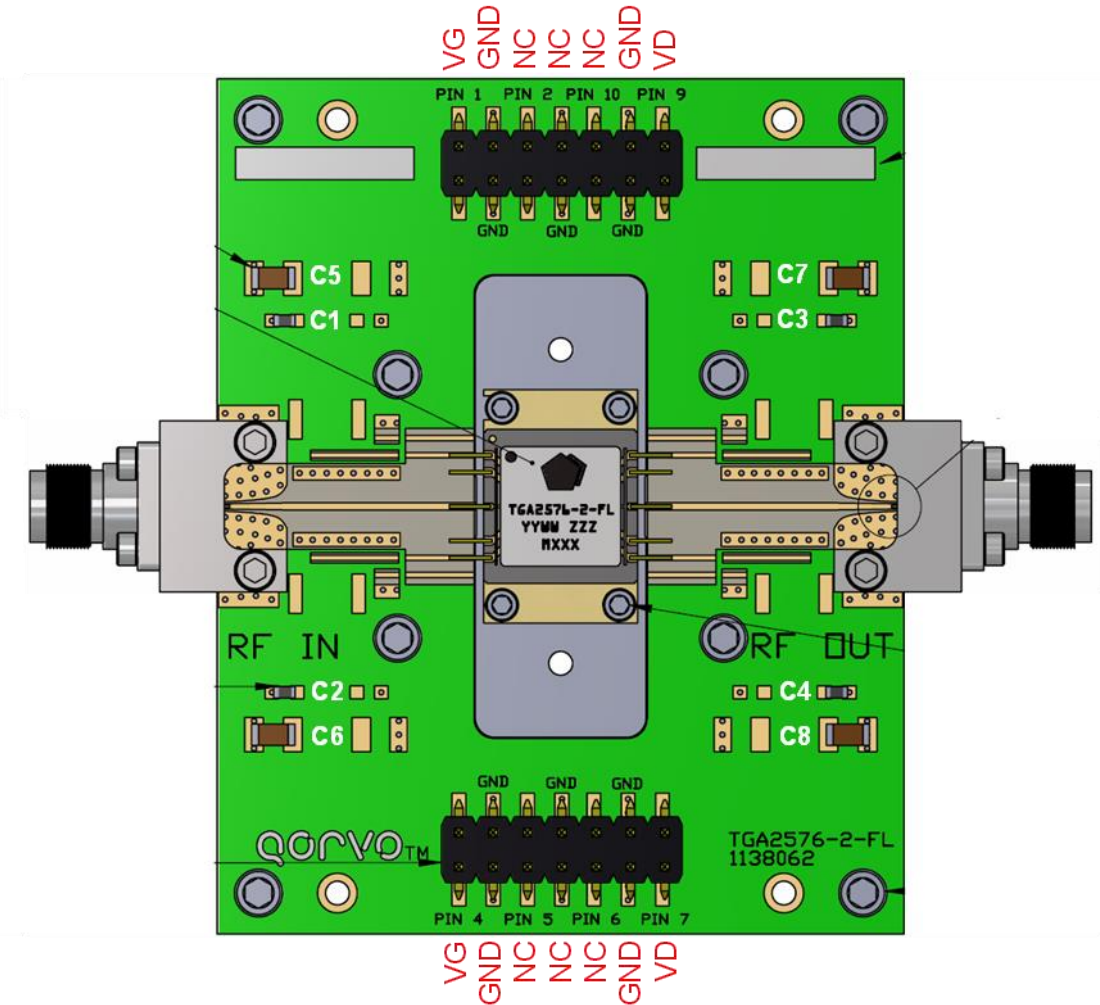
Bias-Up Procedure

1. Set power supply:  $I_D$  limit to 5 A,  $I_G$  limit to 10 mA
2. Apply  $-5.0$  V to  $V_G$  (for pinch-off)
3. Increase  $V_D$  to  $+30$  V; Ensure  $I_{DQ} < 10$  mA
4. Adjust  $V_G$  more positive until  $I_{DQ} = 1550$  mA
5. Apply RF signal

Bias-Down Procedure

1. Turn off RF signal
2. Reduce  $V_G$  to  $-5.0$  V; Ensure  $I_{DQ} \sim 0$  mA
3. Reduce  $V_D$  to 0 V
4. Turn off  $V_G$  supply

Evaluation Board (EVB) Layout Assembly



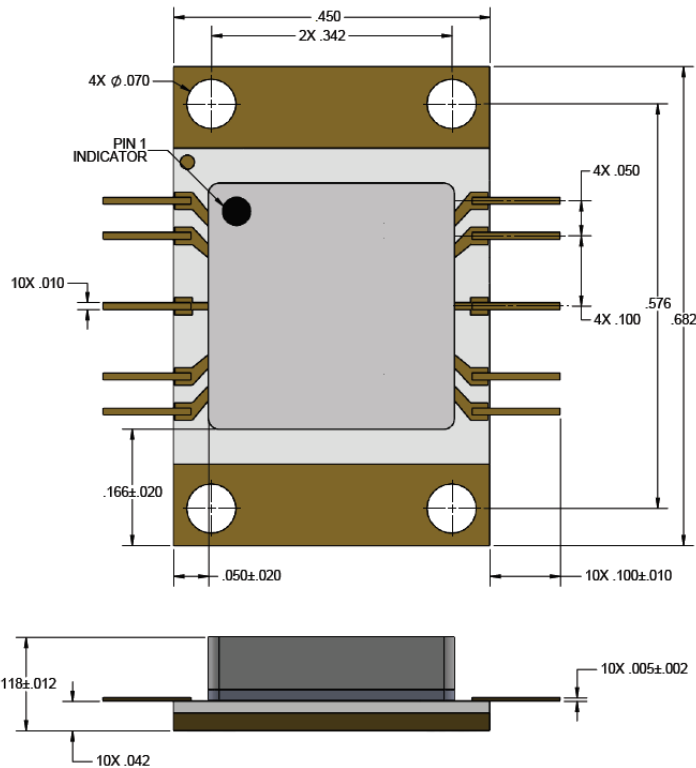
Bill of Materials

Reference Des.	Value	Description	Manuf.	Part Number
C1 - C4	0.1 μF	Cap, 0603, 50 V, 10%, X7R	Various	
C5 – C8	1 μF	Cap, 1206, 50 V, 10%, X7R	Various	
J1, J2	2.92 mm	Female End Launch Connector	Southwest Microwave	1092-01A-5

Note: Can remove C7, C8 for pulsed operation



## Mechanical Information and Bond Pad Description



### Marking:

Part number: TGA2576-2-FL  
Year/Week/Serial number: YYWW ZZZ  
Batch ID: MXXX

### Notes:

1. Unless specified otherwise, dimensions are in inches
2. Unless specified otherwise, tolerances are  $\pm 0.005$
3. Materials:

Package base material: Copper-Tungsten (Cu-W)  
Package base finish: Gold Plating

Package leads: Kovar  
Package lid: LCP with epoxy

## Package Lead Description

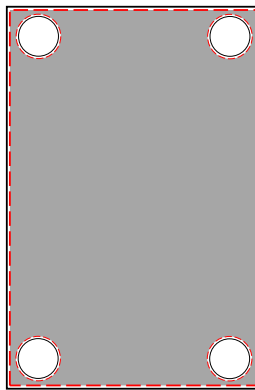
Pad No.	Symbol	Description
1, 5	$V_G$	Gate voltage <sup>(1)</sup>
2, 4, 7, 9	NC	No internal connection; may be grounded or left open on PCB
3	$RF_{IN}$	RF Input; matched to 50 $\Omega$ ; DC shorted to ground
6, 10	$V_D$	Drain voltage <sup>(2)</sup>
8	$RF_{OUT}$	RF Output; matched to 50 $\Omega$ ; DC shorted to ground
	Package Base	RF and DC ground

### Notes:

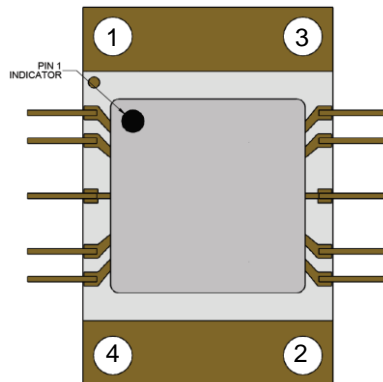
1. Bias network is required; must be biased from both sides (Pins 1 and 5); see Application Circuit on page 7
2. Bias network is required; must be biased from both sides (Pins 6 and 10); see Application Circuit on page 7

## Assembly Notes

- Carefully clean the PC board, mounting surface, and package leads with 90% (or higher) isopropyl alcohol. Allow it to dry fully.
- To improve the thermal and RF performance, Qorvo recommends attaching the amplifier to a heat sink, and apply either a thermal compound (Arctic Silver 5 recommended) or a .004 inch (maximum thickness) indium shim between the heat sink and the package. If using an indium shim, the overall dimensions should be no larger than the package base, with clearance holes for the mounting screws. Cut the indium shim material by whatever means are convenient (razor blade, pre-purchased cut pieces, etc.), using the outline of the package base as a guideline (see the figure below; gray area is the indium shim). The shim can be cut a few mils undersize to allow for tolerance in the placement, but the shim must cover the full area of the base, *especially under the 4 mounting screws*. Cutting the shim too small (covering just the center area of the component base or leaving the corners unsupported) may result in deformation of the package base when the mounting screws are tightened, causing poor thermal conductivity due to bowing of the base, and possible attachment issues with the various components inside the package.



- Use 0-80 screws to attach the component to the next level assembly (heat sink, module, etc.). Use the following tightening pattern:



(There are many variables in a second level assembly that Qorvo does not control, so Qorvo does not recommend an absolute torque value.)

- The component leads should be manually soldered. Apply a low residue solder alloy meeting J-STD-001 (ROL0, ROL1 or equivalent) with a liquidus temperature below 220 °C to each pin of the TGA2576-2-FL. The use of low residue/no-clean flux (ROL0, ROL1) is recommended. Each solder connection should be completed within 2 to 5 seconds. Adding flux during hand soldering of the component leads with localized spot cleaning is acceptable. Soldering irons meeting the requirements of J-STD-001, Appendix A are acceptable.
- The packaged part should not be subjected to conventional SMT automated solder reflow processes.

## Handling Precautions

Parameter	Rating	Standard
ESD – Human Body Model (HBM)	1B	ESDA / JEDEC JS-001-2012
MSL – Moisture Sensitivity Level	NA	



Caution!  
ESD-Sensitive Device

## Solderability

The component leads should be manually soldered, and the package should not be subjected to conventional reflow processes. Soldering of the component leads is compatible with the latest version of J-STD-020, lead-free solder, 260 °C. The use of no-clean solder to avoid washing after soldering is highly recommended.

## RoHS Compliance

This part is compliant with 2011/65/EU RoHS directive (Restrictions on the Use of Certain Hazardous Substances in Electrical and Electronic Equipment) as amended by Directive 2015/863/EU.

This product also has the following attributes:

- Lead Free
- Halogen Free (Chlorine, Bromine)
- Antimony Free
- TBBP-A (C<sub>15</sub>H<sub>12</sub>Br<sub>4</sub>O<sub>2</sub>) Free
- PFOS Free
- SVHC Free

## Contact Information

For the latest specifications, additional product information, worldwide sales and distribution locations:

Web: [www.qorvo.com](http://www.qorvo.com)

Tel: 1-844-890-8163

Email: [customer.support@qorvo.com](mailto:customer.support@qorvo.com)

## Important Notice

The information contained herein is believed to be reliable; however, Qorvo makes no warranties regarding the information contained herein and assumes no responsibility or liability whatsoever for the use of the information contained herein. All information contained herein is subject to change without notice. Customers should obtain and verify the latest relevant information before placing orders for Qorvo products. The information contained herein or any use of such information does not grant, explicitly or implicitly, to any party any patent rights, licenses, or any other intellectual property rights, whether with regard to such information itself or anything described by such information. **THIS INFORMATION DOES NOT CONSTITUTE A WARRANTY WITH RESPECT TO THE PRODUCTS DESCRIBED HEREIN, AND QORVO HEREBY DISCLAIMS ANY AND ALL WARRANTIES WITH RESPECT TO SUCH PRODUCTS WHETHER EXPRESS OR IMPLIED BY LAW, COURSE OF DEALING, COURSE OF PERFORMANCE, USAGE OF TRADE OR OTHERWISE, INCLUDING THE IMPLIED WARRANTIES OF MERCHANTABILITY AND FITNESS FOR A PARTICULAR PURPOSE.**

Without limiting the generality of the foregoing, Qorvo products are not warranted or authorized for use as critical components in medical, life-saving, or life-sustaining applications, or other applications where a failure would reasonably be expected to cause severe personal injury or death.

Copyright 2023 © Qorvo, Inc. | Qorvo is a registered trademark of Qorvo, Inc.

# Mouser Electronics

Authorized Distributor

Click to View Pricing, Inventory, Delivery & Lifecycle Information:

[Qorvo:](#)

[TGA2576-2-FL](#)