

# Micro Switch

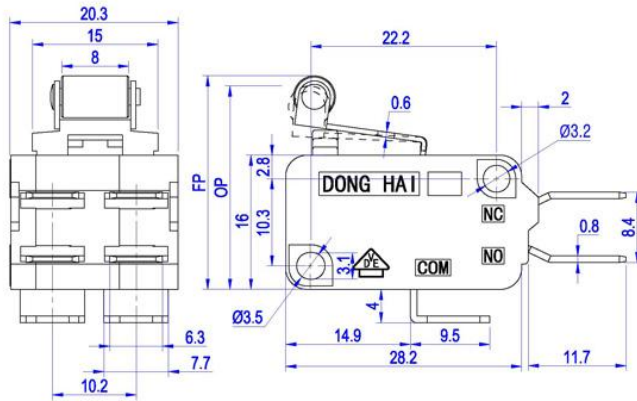
**Q-10201**

type: MSW-07  
 [KW3-0Z-2]  
 [KK-16D-12R0]

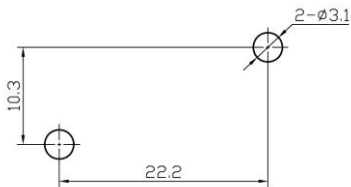
## SPECIFICATIONS

Rating: 16A 125/250V AC  
 Contact R: 20mΩ max  
 Insulation R: 500V DC 100MΩ min  
 Dielectric Strength: 1 Minute 1500V AC  
 Operating Temperature: -25°C ~ +85°C  
 Electrical Life: 100,000 Cycles

Outline Drawing



Mounting



Circuitry

