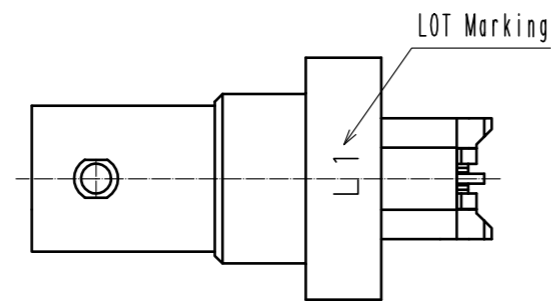


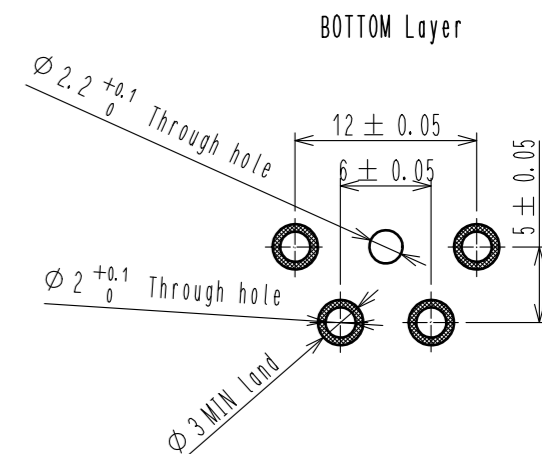
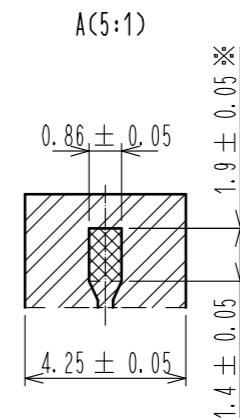
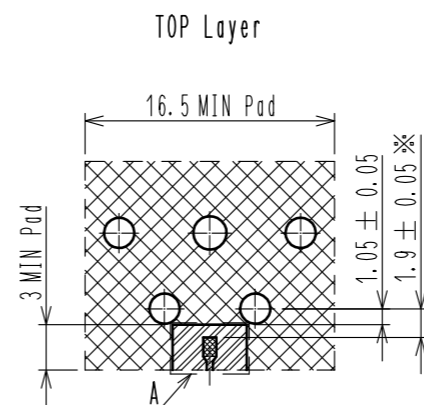
Aug.1.2021 Copyright 2021 HIROSE ELECTRIC CO., LTD. All Rights Reserved.
In case of consideration for using Automotive equipment / device which demand high reliability, kindly contact our sales window correspondents.



Recommended PCB Layout (t=1.6 FR4)

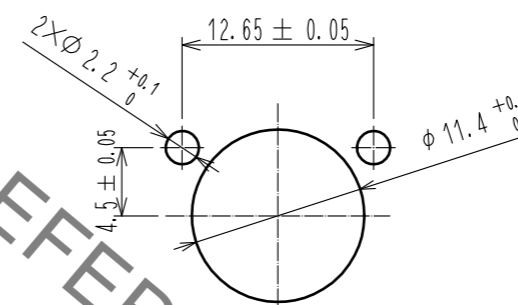
Land/Pad Part

Resist Part

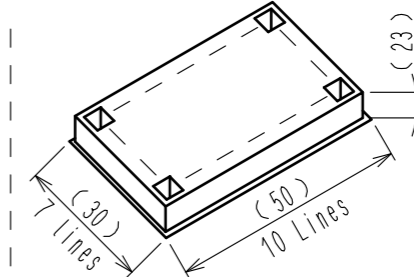
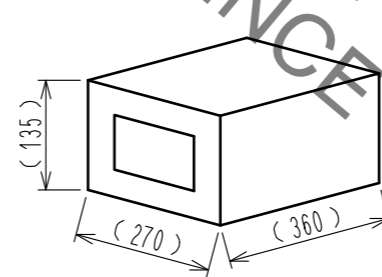


Note 1. ※ indicates duplicate dimension.
2. This pattern is an example of the PCB.
(thickness=1.6mm, material=FR4, layer thickness containing plating=0.035mm)

Reference: Panel Layout (Thickness 0.5~2.5mm)
Screw: M2×0.4

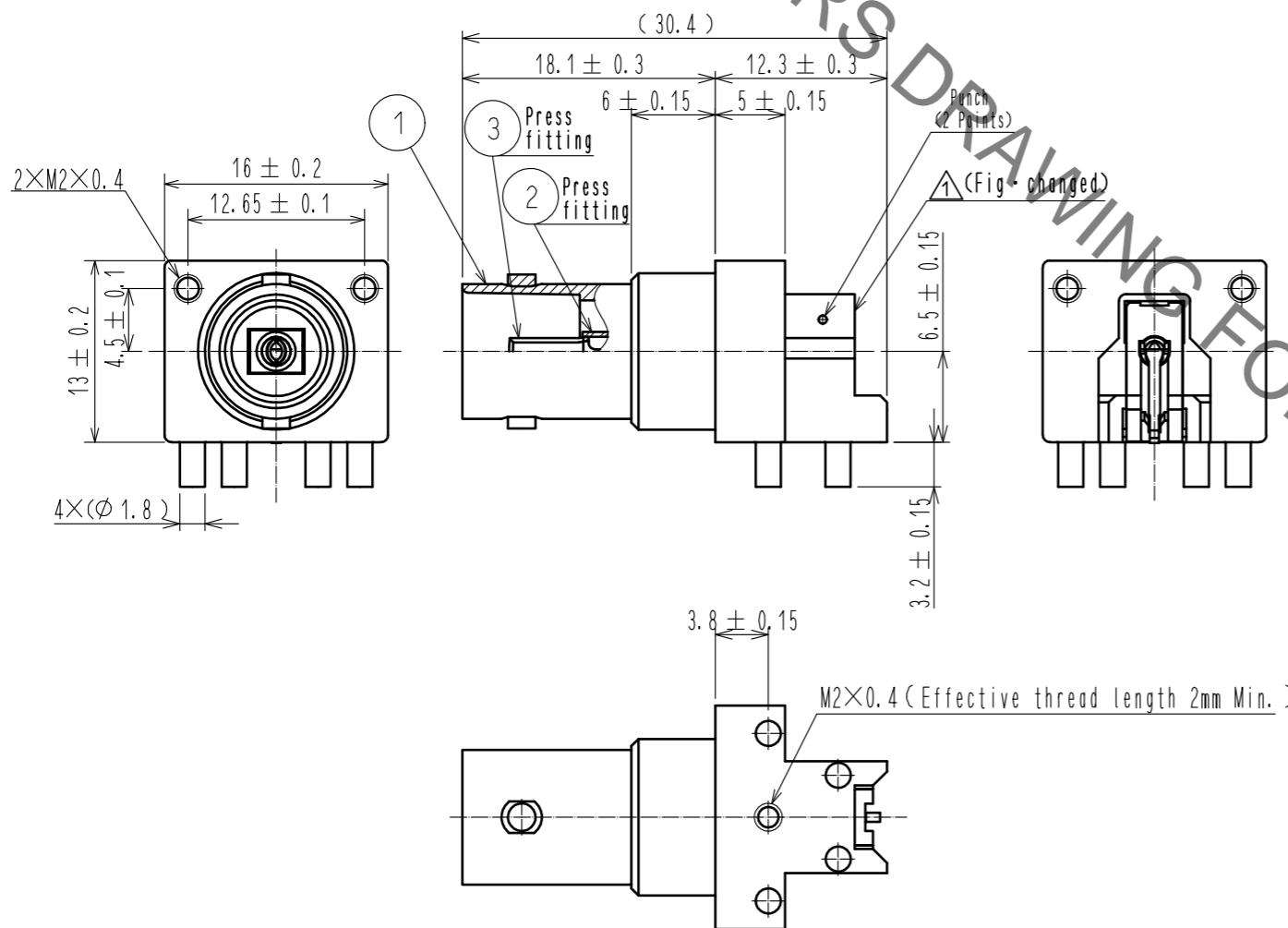


Packing specification (FREE)



Packing unit: max 250pcs/box
(Max 4 trays /box)

Max 70pcs/tray
(There is some fraction trays)



2	SPS						
1	ZINC ALLOY	NICKEL PLATING	3	BERYLLIUM COPPER	GOLD PLATING		
NO.	MATERIAL	FINISH, REMARKS	NO.	MATERIAL	FINISH, REMARKS		
UNITS	mm	SCALE	COUNT	DESCRIPTION OF REVISIONS		DESIGNED	CHECKED
		2 : 1	1	DIS-D-00001222		MA. SAEKI	KY. SHIMIZU
							DATE
							16.05.31
APPROVED : KY. SHIMIZU		16.03.04		DRAWING NO.		EDC-368283-00-00	
CHECKED : KY. SHIMIZU		16.03.04		PART NO.		BNC(75)-PLR-PC-12G-1	
DESIGNED : YI. FUNADA		16.03.04		CODE NO.		CL302-0083-0-00	
DRAWN : YI. FUNADA		16.03.04					

Mouser Electronics

Authorized Distributor

Click to View Pricing, Inventory, Delivery & Lifecycle Information:

[Hirose Electric:](#)

[BNC\(75\)-PLR-PC-12G-1](#)