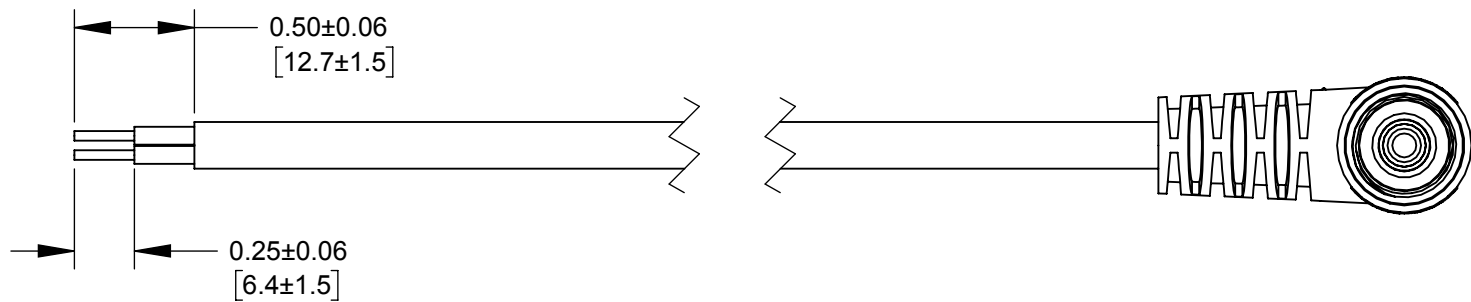
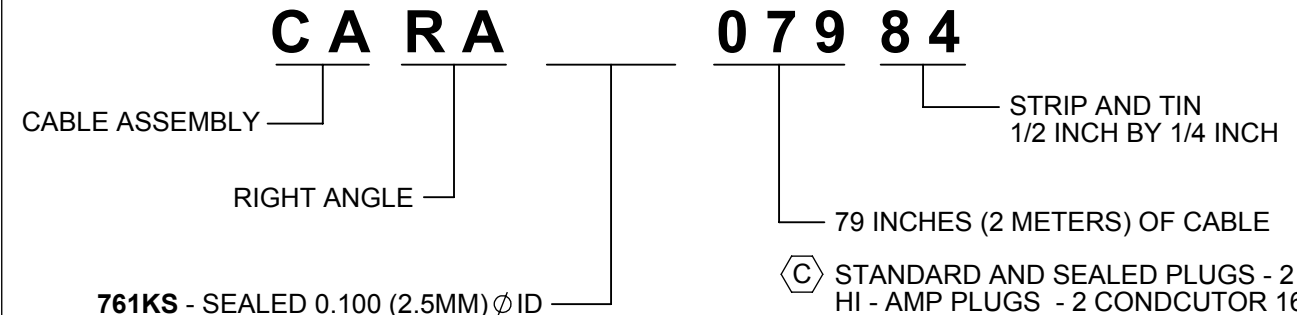


Ø0.20 [5.1]
CABLE UNSHIELDED
BLACK PVC JACKET

STRIP AND TIN



WIRING TABLE	
POWER PLUG	WIRE COLOR
TIP	RED
SLEEVE	BLACK

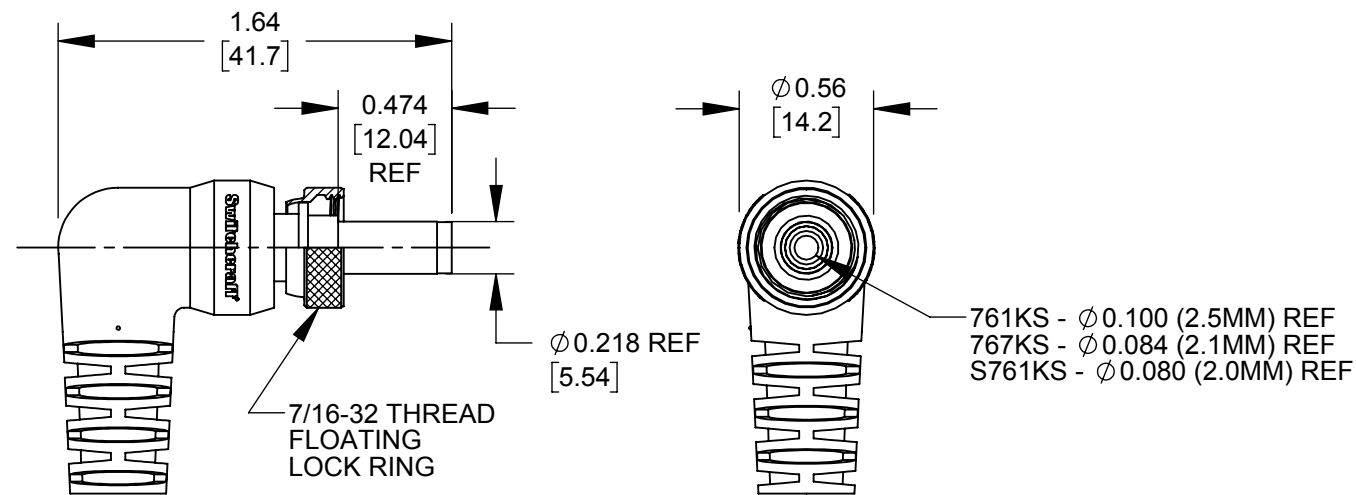


- 761KS - SEALED 0.100 (2.5MM) Ø ID
- 767KS - SEALED 0.084 (2.1MM) Ø ID
- S761KS - SEALED 0.080 (2.0MM) Ø ID
- S10KS - HI AMP - SEALED 0.080(2.0MM) Ø ID
- S10 - HI AMP NON-SEALED - 0.080(2.0MM) Ø ID NON-LOCKING
- 760 - DC POWER PLUG 0.100 (2.5MM) Ø ID NON-LOCKING
- 762 - DC POWER PLUG 0.084 (2.1MM) Ø ID NON-LOCKING
- S760 - DC POWER PLUG 0.080 (2.0MM) Ø ID NON-LOCKING
- 760K - DC POWER PLUG 0.100 (2.5MM) Ø ID LOCKING
- 761K - DC POWER PLUG 0.100 (2.5MM) Ø ID LOCKING
- 762K - DC POWER PLUG 0.084 (2.1MM) Ø ID LOCKING
- 767K - DC POWER PLUG 0.084 (2.1MM) Ø ID LOCKING
- S760K - DC POWER PLUG 0.080 (2.0MM) Ø ID LOCKING
- S761K - DC POWER PLUG 0.080 (2.0MM) Ø ID LOCKING

CUSTOMER DRAWING

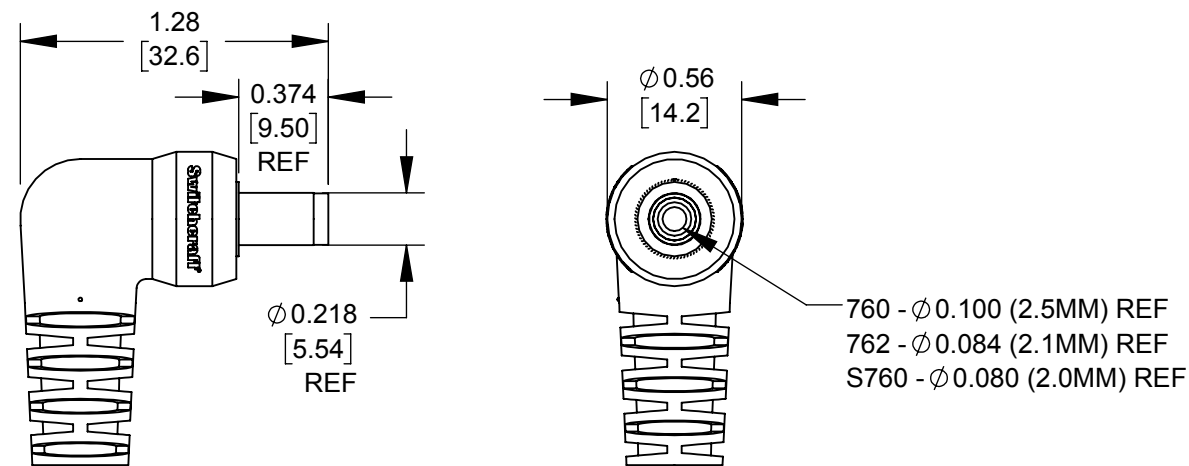
					THIS DRAWING DESCRIBES A DESIGN CONSIDERED PROPRIETARY IN NATURE, DEVELOPED AND MANUFACTURED BY SWITCHCRAFT INC. AND IS RELEASED ON A CONFIDENTIAL BASIS FOR IDENTIFICATION PURPOSES ONLY.						
					UNLESS OTHERWISE SPECIFIED	SIZE	WIDTH	MULT	LBS/M	TEMPER	
					1. ALL DIMENSIONS IN INCHES [mm]	FINISH				MATERIAL	
					- TWO PLACE DECIMALS ±0.02 [0.5]	SPEC No.				SPEC No.	
					- THREE PLACE DECIMALS ±0.005 [0.13]	FIRST USED ON		SCALE		Switchcraft®	
C	27930	08-17-17	PC	TJK	3/19/15		1.25:1				
B	27615	11-30-15	TO	TJK	DATE DRAWN	BY	CHKD	APVD	SHEET 1 OF 2		
A	27477	4/2/15	TJK	TJK	3/19/15	AB	AB	TJK			
REV	ECO NUMBER	DATE	BY	APVD	NAME CABLE ASSEMBLY - MOLDED RIGHT ANGLE POWER PLUGS, RoHS				PART No.	REV	
REVISIONS					DO NOT SCALE DRAWING					CARA_07984	C

SolidWorks CAD File **B**



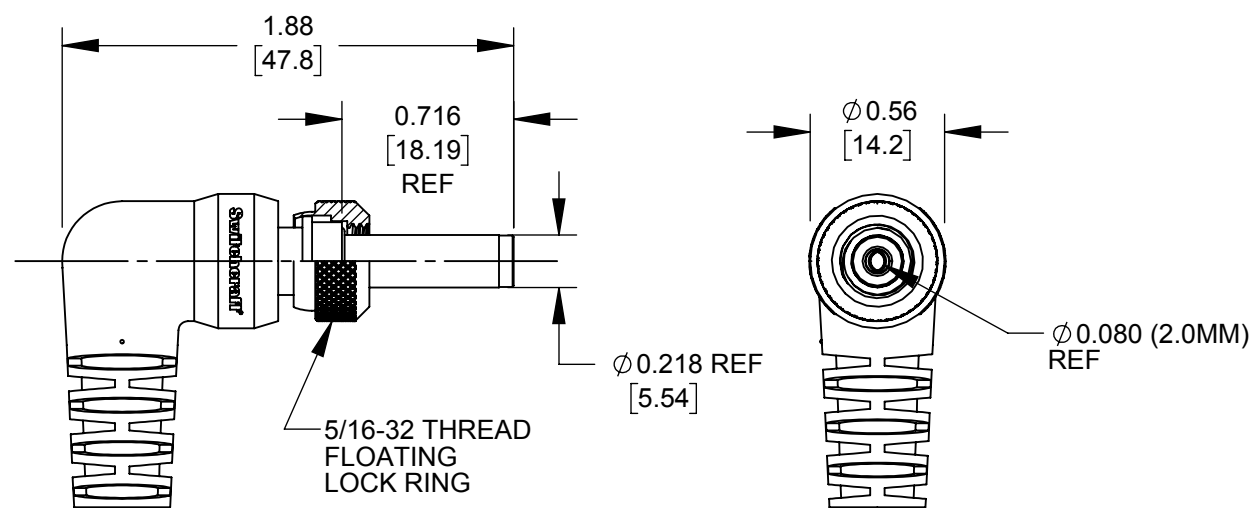
761KS, 767KS, AND S761KS SERIES SEALED PLUGS

761KS - ϕ 0.100 (2.5MM) REF
 767KS - ϕ 0.084 (2.1MM) REF
 S761KS - ϕ 0.080 (2.0MM) REF



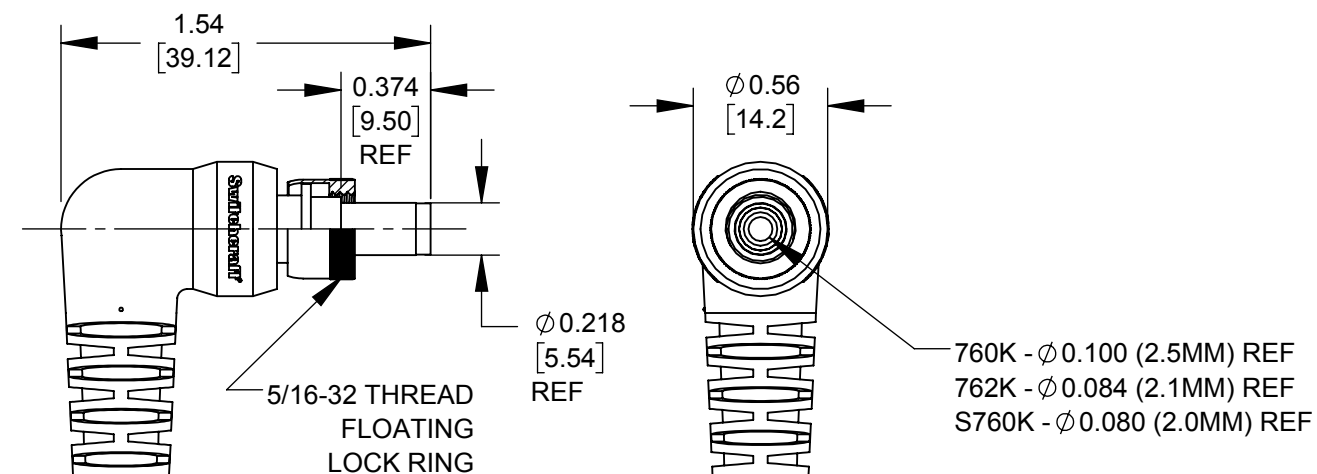
760, 762, AND S760 SERIES NON-LOCKING POWER PLUGS

760 - ϕ 0.100 (2.5MM) REF
 762 - ϕ 0.084 (2.1MM) REF
 S760 - ϕ 0.080 (2.0MM) REF



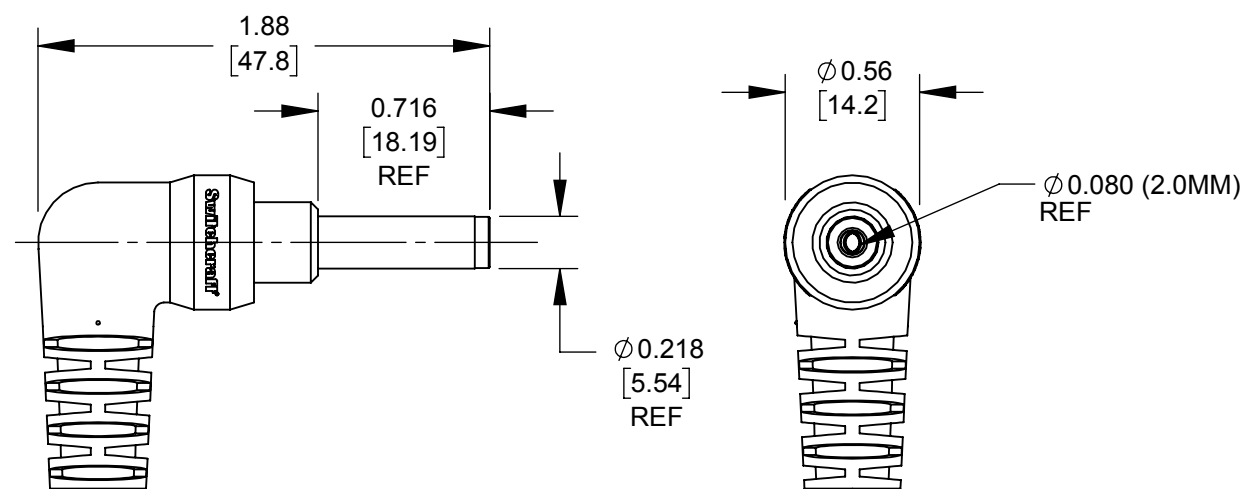
S10KS SERIES SEALED HI-AMP PLUG

ϕ 0.080 (2.0MM) REF



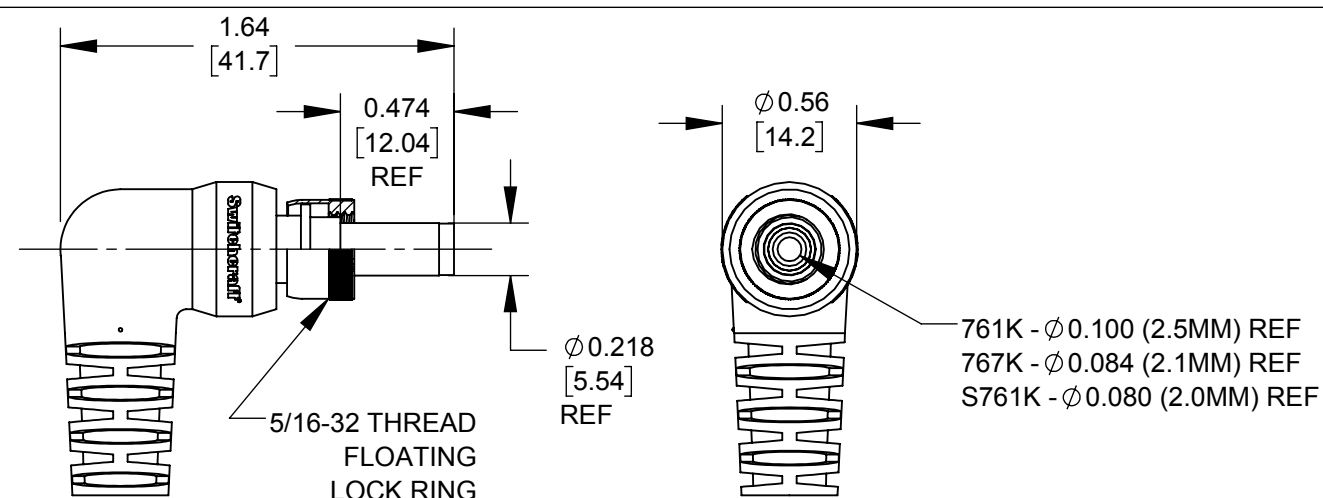
760K, 762K, AND S760K SERIES LOCKING POWER PLUG

760K - ϕ 0.100 (2.5MM) REF
 762K - ϕ 0.084 (2.1MM) REF
 S760K - ϕ 0.080 (2.0MM) REF



S10 SERIES NON-SEALED NON-LOCKING HI-AMP PLUG

ϕ 0.080 (2.0MM) REF



761K, 767K, AND S761K SERIES LOCKING POWER PLUGS

CUSTOMER DRAWING

SCALE 1.25:1	Switchcraft [®]	
DATE DRAWN 08/02/17		
DRAWN BY ALM	PART No. CARA 07984	REV C

Mouser Electronics

Authorized Distributor

Click to View Pricing, Inventory, Delivery & Lifecycle Information:

Switchcraft:

[CARAS10KS07984](#) [CARAS1007984](#) [CARA761KS07984](#) [CARAS761KS07984](#) [CARA76007984](#) [CARA760K07984](#)
[CARA761K07984](#) [CARA76207984](#) [CARA762K07984](#) [CARA767K07984](#) [CARAS76007984](#) [CARAS760K07984](#)
[CARAS761K07984](#) [CARA767KS07984](#)