

Customer Information Sheet

DRAWING No.: M22-30400XX

SHEET 2 OF 2

IF IN DOUBT - ASK

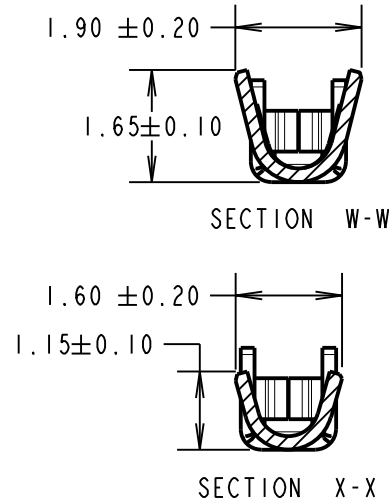
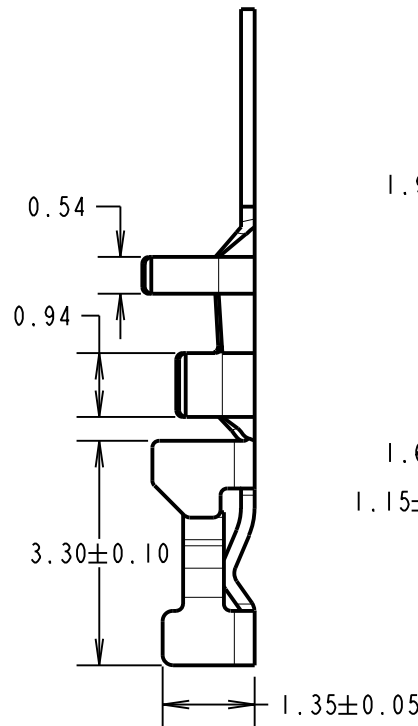
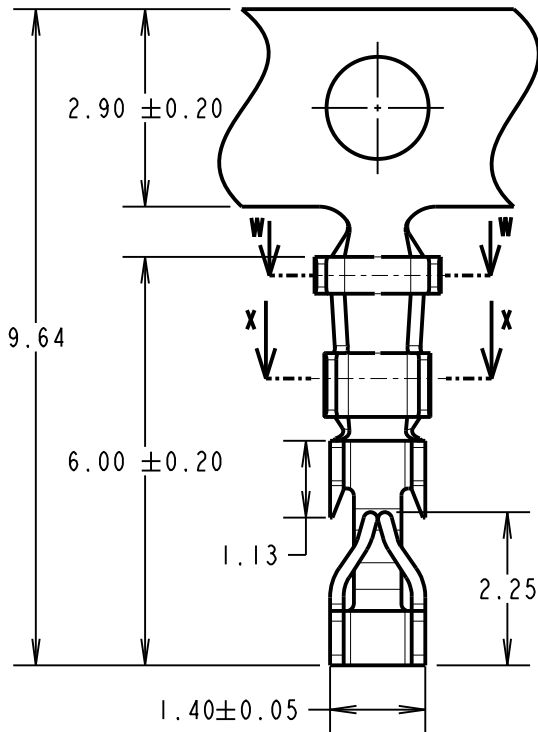


NOT TO SCALE

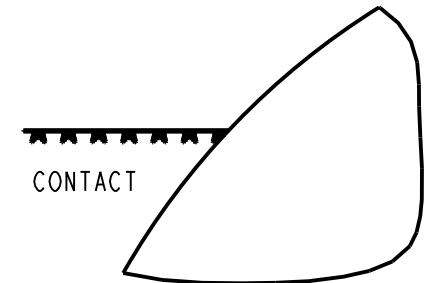
THIRD ANGLE PROJECTION

ALL DIMENSIONS IN mm

REELING DETAILS
SEE NOTE 2



RUNNER THIS SIDE



CONTACT

NOTES:

1. TO BE USED WITH CRIMP MOULDINGS M22-301XX00 OR M22-302XX00.
2. REELED TO SUIT L.H. LOADING CRIMPING MACHINE, OPEN FORM OF CRIMP TO BE UNDERNEATH ON REEL.
3. FOR HAND CRIMPING ONTO WIRE, USE HAND TOOL Z22-020 (INSTRUCTION SHEET IS-05), STRIP WIRE BY 1.0 - 1.5mm BEFORE CRIMPING.
4. SUITABLE FOR WIRE GAUGES 24-30 AWG.
5. NUMBER OF CONTACTS PER REEL = 10K.
6. RECOMMENDED CONDUCTOR CRIMP HEIGHTS:
FOR 24 - 30AWG = 0.59±0.03mm

ORDER CODE:
M22-30400XX

FINISH: _____
42 = GOLD
46 = 100% TIN

SB	11	14.06.12	11756
NAME	ISS.	DATE	C/NOTE
APPROVED:		S. BENNETT	
CHECKED:		M. PLESTED	
DRAWN:		W. J. BOURNE	
CUSTOMER REF.:			
ASSEMBLY DRG:			

HARWIN

www.harwin.com
technical@harwin.com

THIS DRAWING AND ANY INFORMATION OR DESCRIPTIVE MATTER SET OUT HEREON ARE CONFIDENTIAL AND COPYRIGHT PROPERTY OF THE HARWIN GROUP AND MUST NOT BE DISCLOSED, LOANED, COPIED OR USED FOR MANUFACTURING, TENDERING OR FOR ANY OTHER PURPOSE WITHOUT THEIR WRITTEN PERMISSION.

TOLERANCES
X. = ±1mm
X.X = ±0.25mm
X.XX = ±0.10mm
X.XXX = ±0.01mm
ANGLES = ±5°
UNLESS STATED

MATERIAL:
PHOSPHOR BRONZE
FINISH: SEE ORDER CODE
S/AREA: mm²

TITLE:
REELED CRIMP CONTACT
DRAWING NUMBER:
M22-30400XX

SHT
2 OF 2

Mouser Electronics

Authorized Distributor

Click to View Pricing, Inventory, Delivery & Lifecycle Information:

Harwin:

[M22-3040042](#) [M22-3040046](#)