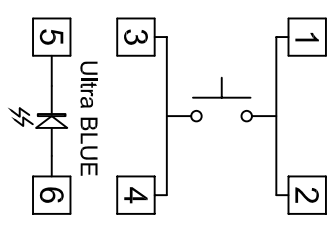
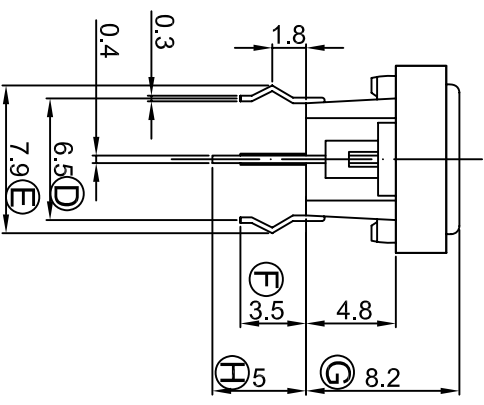
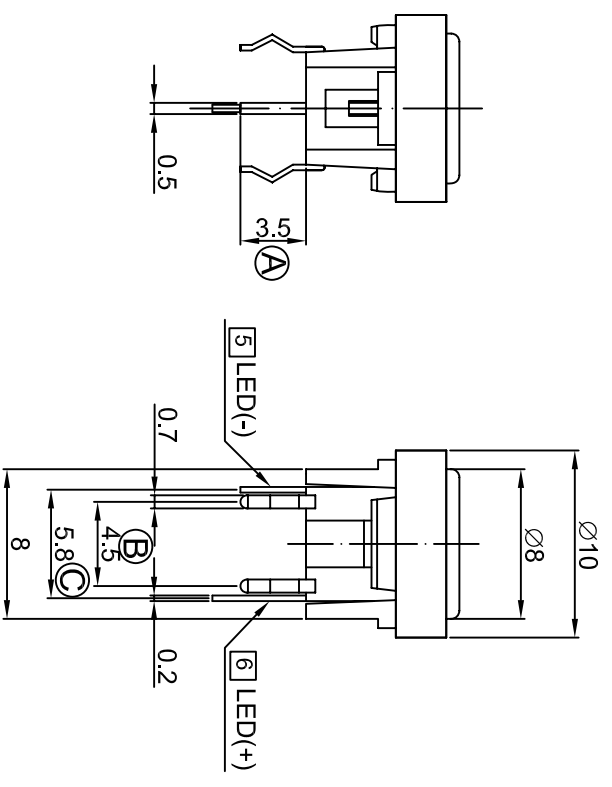
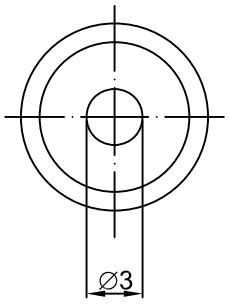
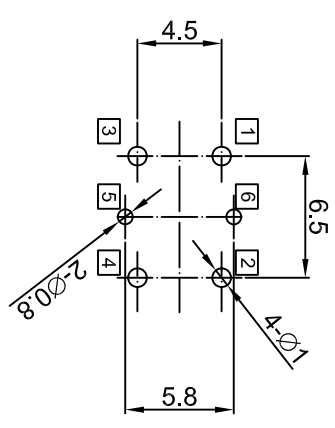


| DIMENSION | TOLERANCE |
|--------------|-----------|
| BELOW 10 mm | ± 0.3 |
| 10-100 mm | ± 0.5 |
| ABOVE 100 mm | ± 0.8 |
| ANGLE | ± 3° |

CIRCUIT DIAGRAM



P.C.B LAYOUT



COLOR OF LED

| | | | |
|---|---------|---|--------|
| G | Green | Y | Yellow |
| R | Red | B | Blue |
| O | Orange | W | White |
| X | Without | | |

Housing Color

| | |
|---|---------|
| G | Gray |
| K | Black |
| X | Without |

CAP Color

| | | | |
|---|-------|---|---------|
| G | Gray | N | Green |
| R | Red | Y | Yellow |
| K | Black | X | Without |

1. RATING : 12 V DC , 50 mA .
2. CONTACT RESISTANCE : 100 mΩ MAX .
3. INSULATION RESISTANCE : 500 V DC , 100MΩ MIN .
4. OPERATION FORCE : 180± 50 gf .
5. OPERATION TEMPERATURE RANGE : -20°C ~ +70°C .
6. OPERATION LIFE : 500,000 CYCLES .

| DATE | APPROVAL | DESIGN | ENGINEERING CHANGE DESCRIPTION | DATE | APPROVAL | DESIGN | UNIT | MODE | TACT SWITCH |
|------|----------|--------|--------------------------------|------------|----------|--------|-------|--------------|-------------------|
| | | | | 2006/07/05 | KAVERN | ALAN | mm | PART | TC002-N11ARRKUBXX |
| | | | | | CONFIRM | BRULLY | 1 : 1 | 2D FILE NAME | TC002_N11ARRKUBXX |
| | | | | | | | 01 | 3D FILE NAME | |

WB Well Buying
Industrial Co., Ltd.