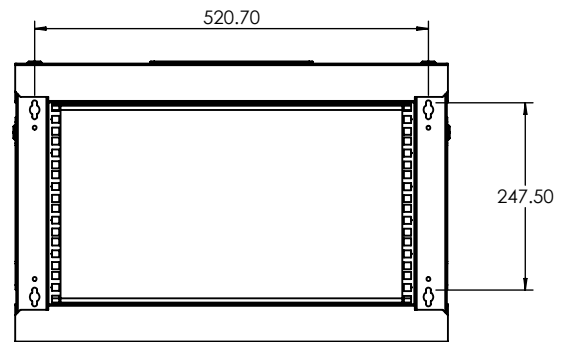
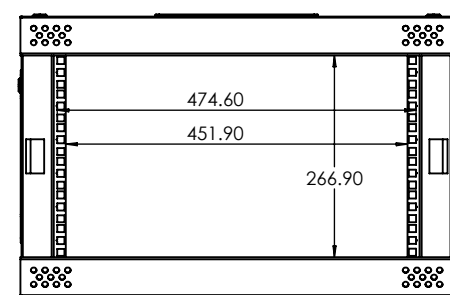
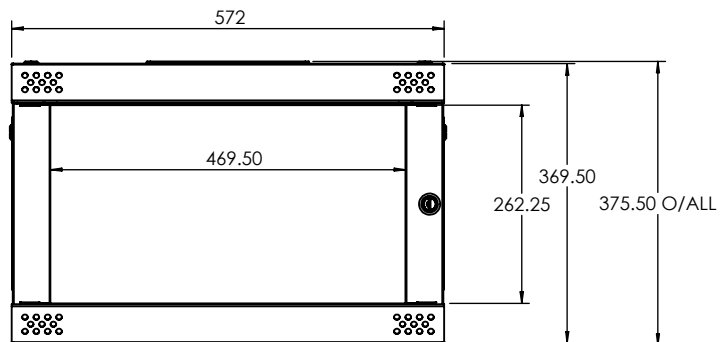
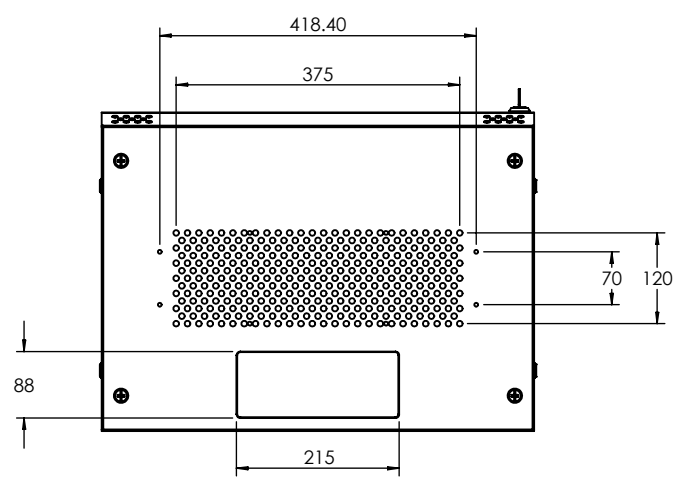
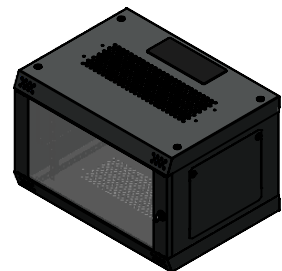


SECTION A-A



ISO VIEW  
1:20



		UNLESS OTHERWISE SPECIFIED: DIMENSIONS ARE IN MILLIMETERS		DO NOT SCALE DRAWING	REVISION. 0
		GENERAL TOLERANCES +/- 0.2		TITLE: CAMRACK QX 6U	
JAMES CARTER RD, MILDENHALL, SUFFOLK. IP28 7DE TEL: 01638 716101 FAX: 01638 716554 EMAIL: Sales@CamdenBoss.com WEB: www.CamdenBoss.com		FINISH: ANTHRACITE		DWG NO. CBQX064211	
NAME: IAN PAGANO SIGNED: I.P. DATE: 31/01/13	MATERIAL: VAR		SCALE: 1:2		A4
CHKD: -	PROJECTION:		SHEET 1 OF 1		